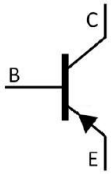


TO-92LM          PNP          Silicon PNP transistor in a TO-92LM Plastic Package.

2SC2383

High voltage, large continuous collector current capability, Complementary pair with 2SC2383..

Color TV vert. and class B sound output applications.

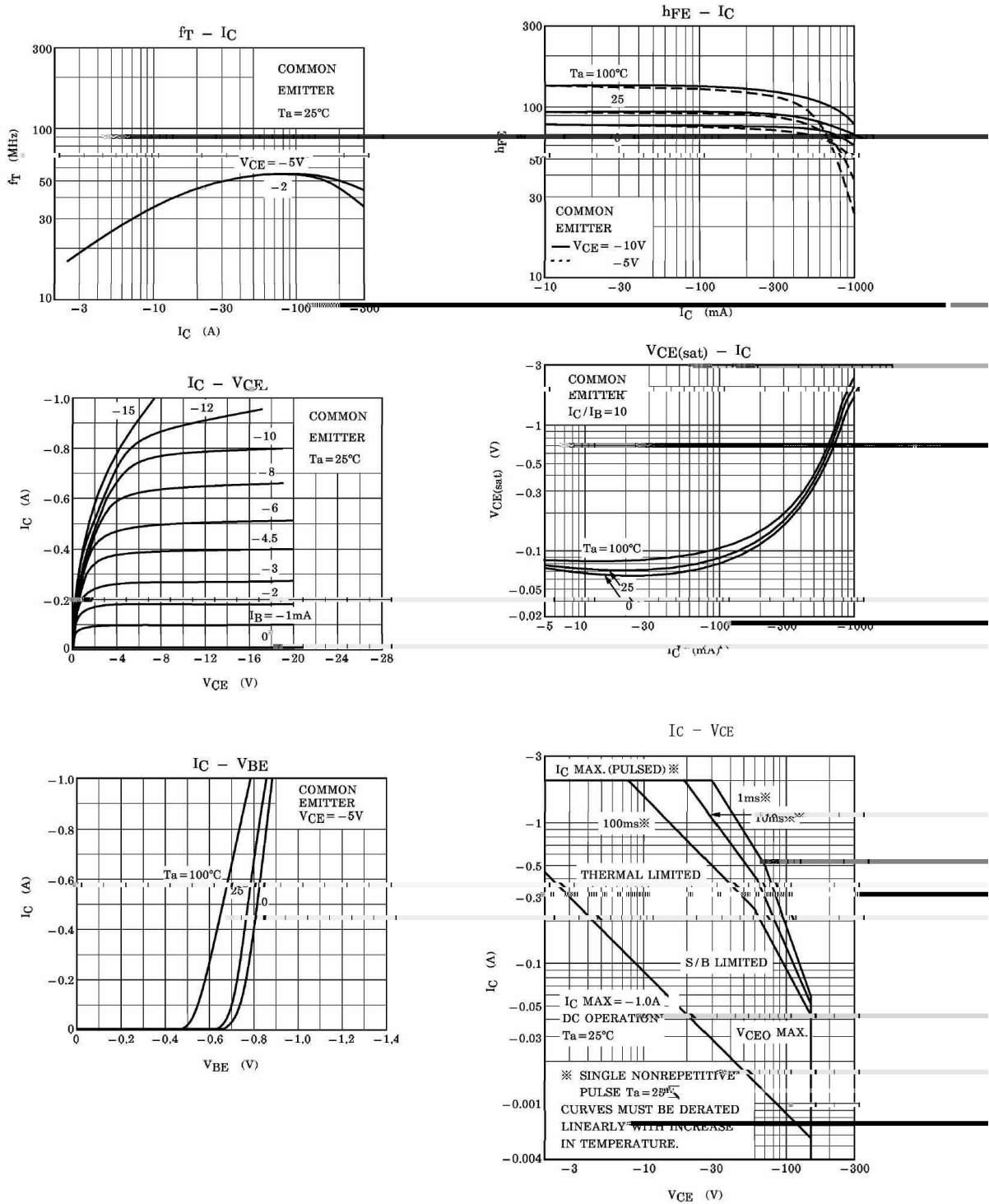


PIN1 Base          PIN 2 Collector          PIN 3 Emitter

$h_{FE}$ Classifications Symbol	R	O	Y
$h_{FE}$ Range	60~120	100~200	160~320

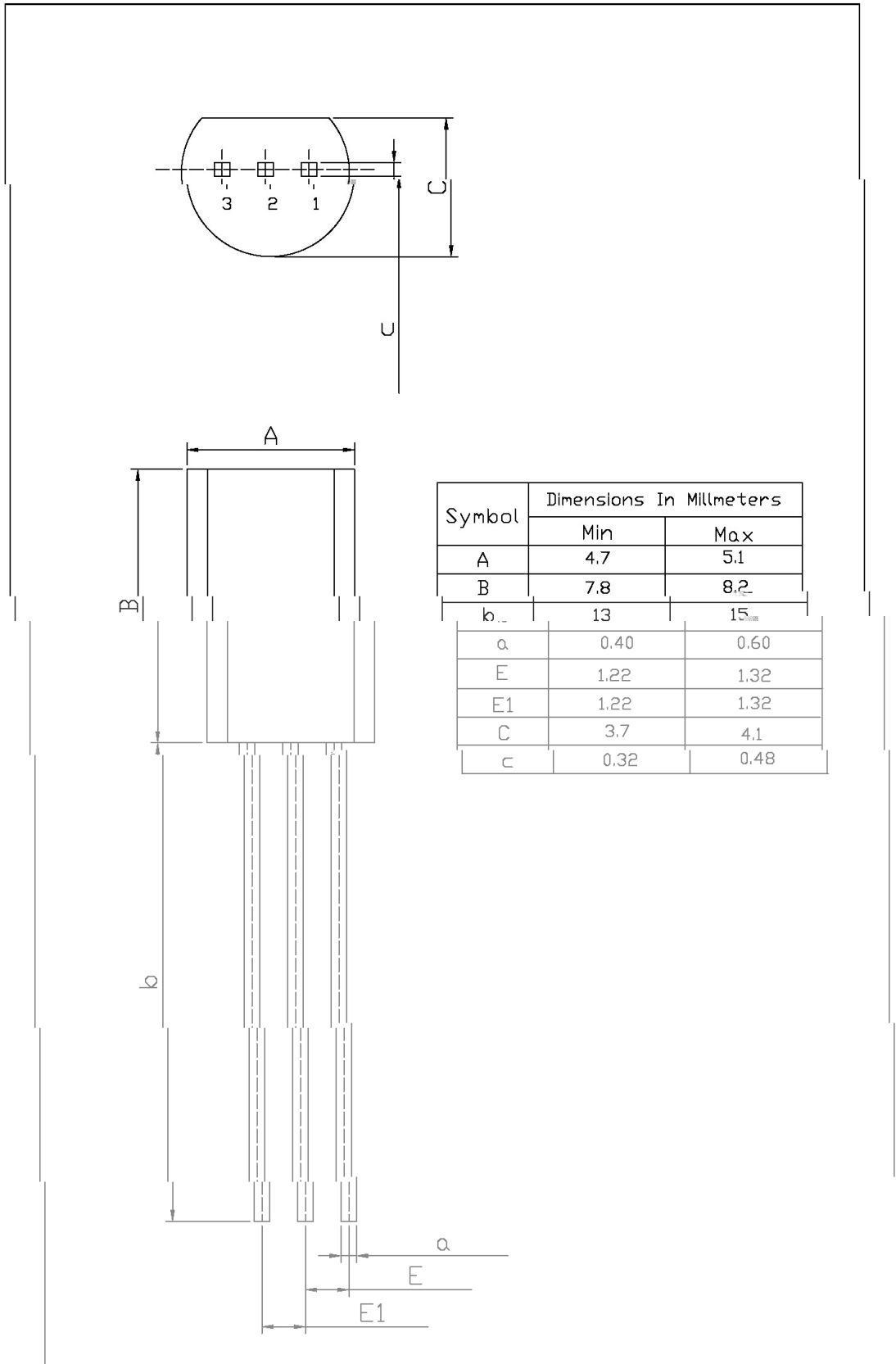
Parameter	Symbol	Rating	Unit
Collector to Base Voltage	$V_{CBO}$	-160	V
Collector to Emitter Voltage	$V_{CEO}$	-160	V
Emitter to Base Voltage	$V_{EBO}$	-6.0	V
Collector Current - Continuous	$I_C$	-1.0	A
Base Current - Continuous	$I_B$	-0.5	A
Collector Power Dissipation	$P_C$	900	mW
Junction Temperature	$T_j$	150	
Storage Temperature Range	$T_{stg}$	-55 150	

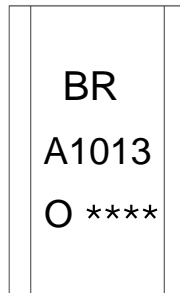
Parameter	Symbol	Test Conditions	Min	Typ	Max	Unit
Collector to Emitter Breakdown Voltage	$V_{CEO}$	$I_C=-10mA$ $I_B=0$	-160			V
Collector Cut-Off Current	$I_{CBO}$	$V_{CB}=-150V$ $I_E=0$			-1.0	$\mu A$
Emitter Cut-Off Current	$I_{EBO}$	$V_{EB}=-6.0V$ $I_C=0$			-1.0	$\mu A$
DC Current Gain	$h_{FE}$	$V_{CE}=-5.0V$ $I_C=-200mA$	60		320	
Collector to Emitter Saturation Voltage	$V_{CE(sat)}$	$I_C=-500mA$ $I_B=-50mA$			-1.5	V
Base to Emitter Voltage	$V_{BE}$	$V_{CE}=-5.0V$ $I_C=-5.0mA$			-0.75	V
Transition Frequency	$f_T$	$V_{CE}=-5.0V$ $I_C=-200mA$	15	50		MHz
Collector output capacitance	$C_{ob}$	$V_{CB}=-10V$ $I_E=0$ $f=1.0MHz$			35	pF



# T0-92LM

Unit: mm





BR:

A1013

O:  $h_{FE}$

\*\*\*\*

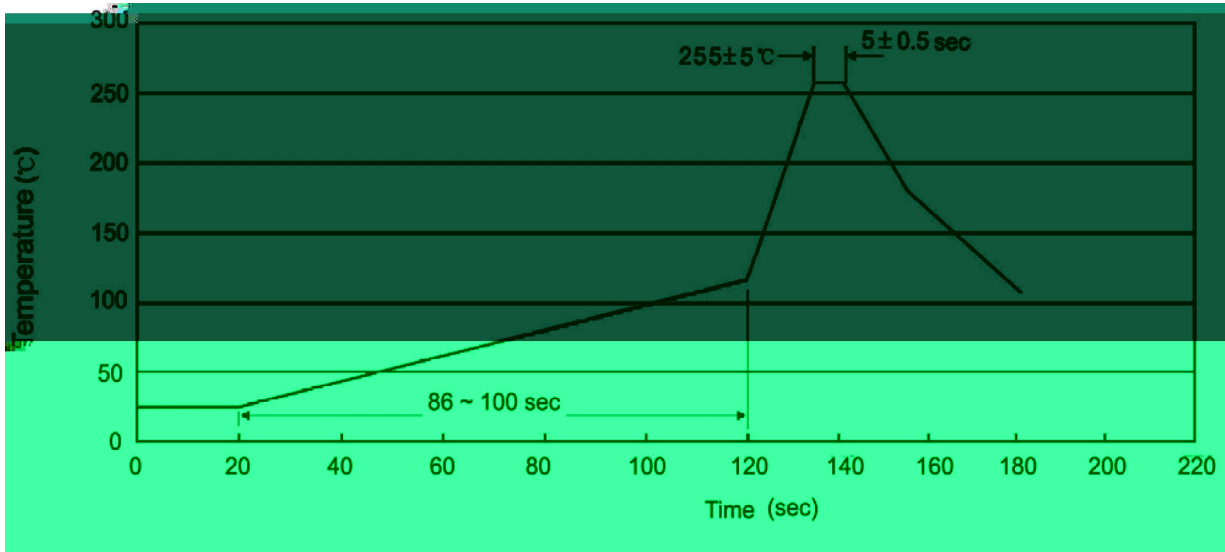
Note:

BR: Company Code.

A1013: Product Type.

O:  $h_{FE}$  Classifications Symbol

\*\*\*\*: Lot No. Code,code change with Lot No.



Note:

- |   |        |           |                                         |
|---|--------|-----------|-----------------------------------------|
| 1 | 25 150 | 60 90sec; | 1.Preheating:25~150 , Time:60~90sec.    |
| 2 | 255±5  | 5±0.5sec; | 2.Peak Temp.:255±5 , Duration:5±0.5sec. |
| 3 | 2 10   | /sec.     | 3. Cooling Speed: 2~10 /sec.            |

270±5

10±1 sec.

Temp.:270±5

Time:10±1 sec

/ BULK

Package Type 封装形式	Units 包装数量					Dimension 包装尺寸 (unit: mm3)		
	Units/Bag 只/袋	Bags/Inner Box 袋/盒	Units/Inner Box 只/盒	Inner Boxes/Outer Box 盒/箱	Units/Outer Box 只/箱	Bag 袋	Inner Box 盒	Outer Box 箱
TO-92LM	1,000	8	8,000	5	40,000	135×190	237×172×102	560×245×195

/ AMMO

Package Type 封装形式	Units 包装数量					Dimension 包装尺寸 (unit: mm3)	
	Units/tape 只/纸带	Tape/Inner Box 纸带/盒	Rows/Inner Box 纸带层/盒	Inner Boxes/Outer Box 盒/箱	Units/Outer Box 只/箱	Inner Box 盒	Outer Box 箱
TO-92LM	2,500	1	100	10	25,000	328×230×42	小箱 480×346×235 大箱 547×407×268