

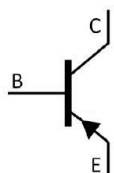
**/ Descriptions**

TO-92LM          PNP

**/ Features**

**/ Applications**

**/ Equivalent Circuit**



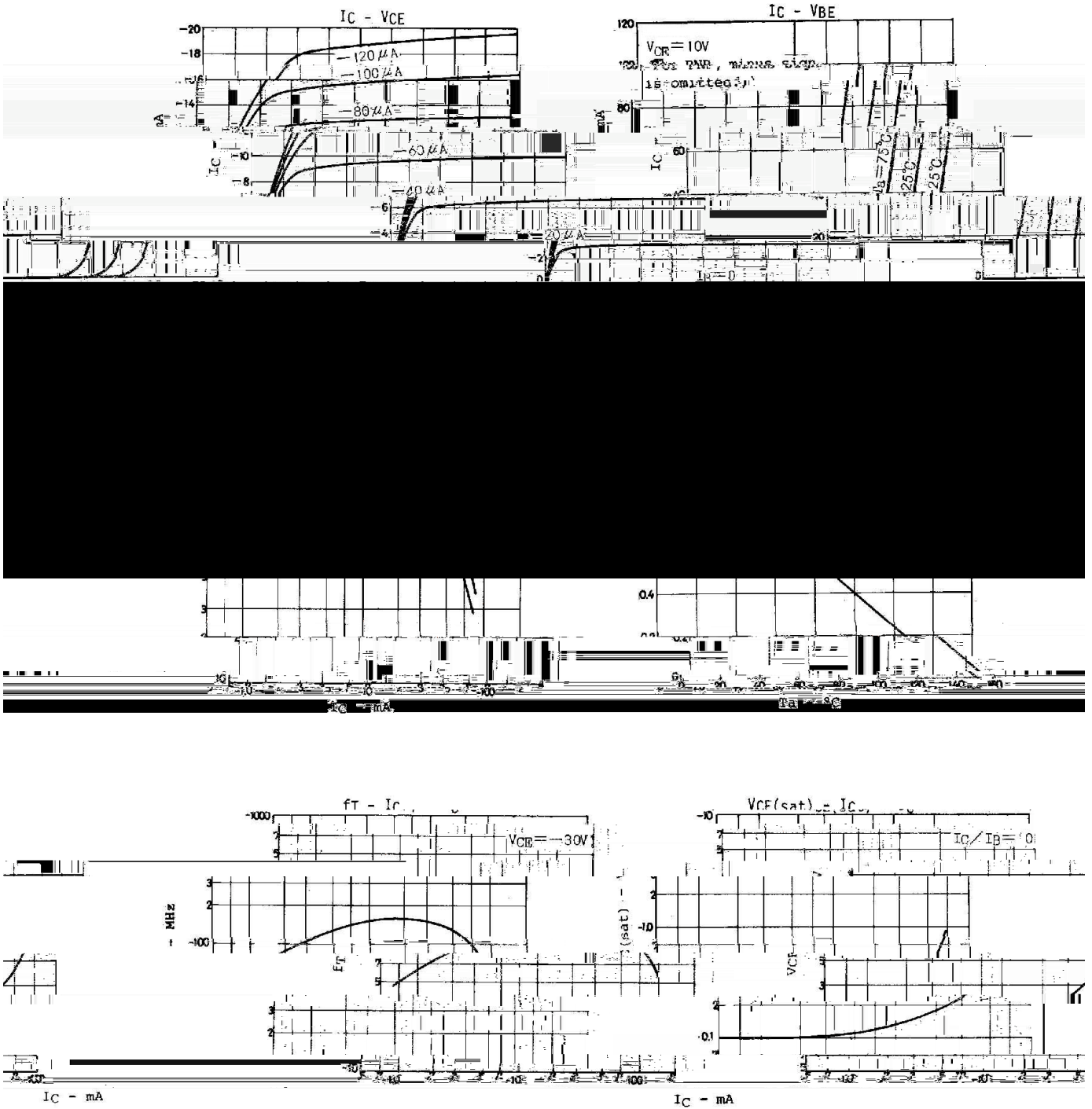
**/ Pinning**



**/  $h_{FE}$  Classifications & Marking**



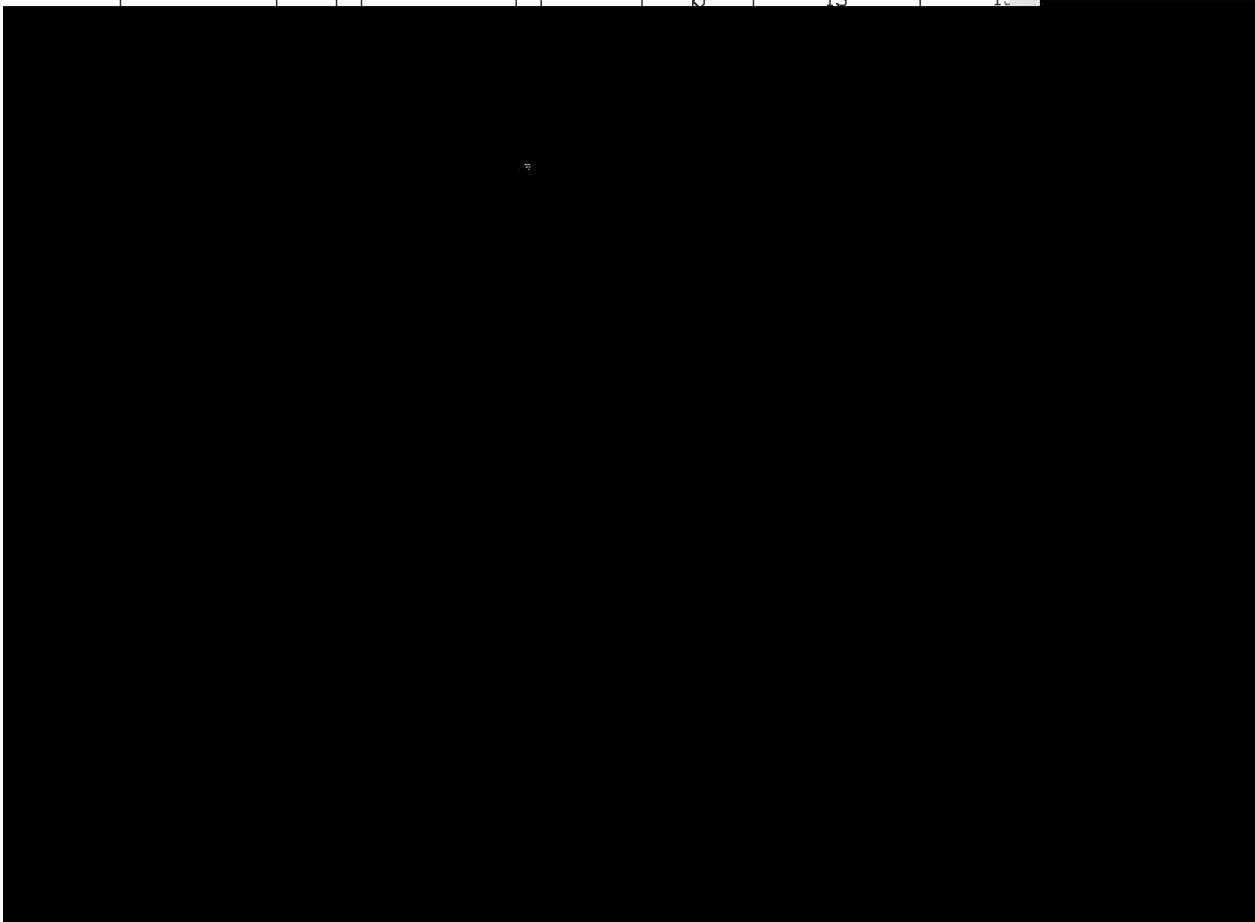
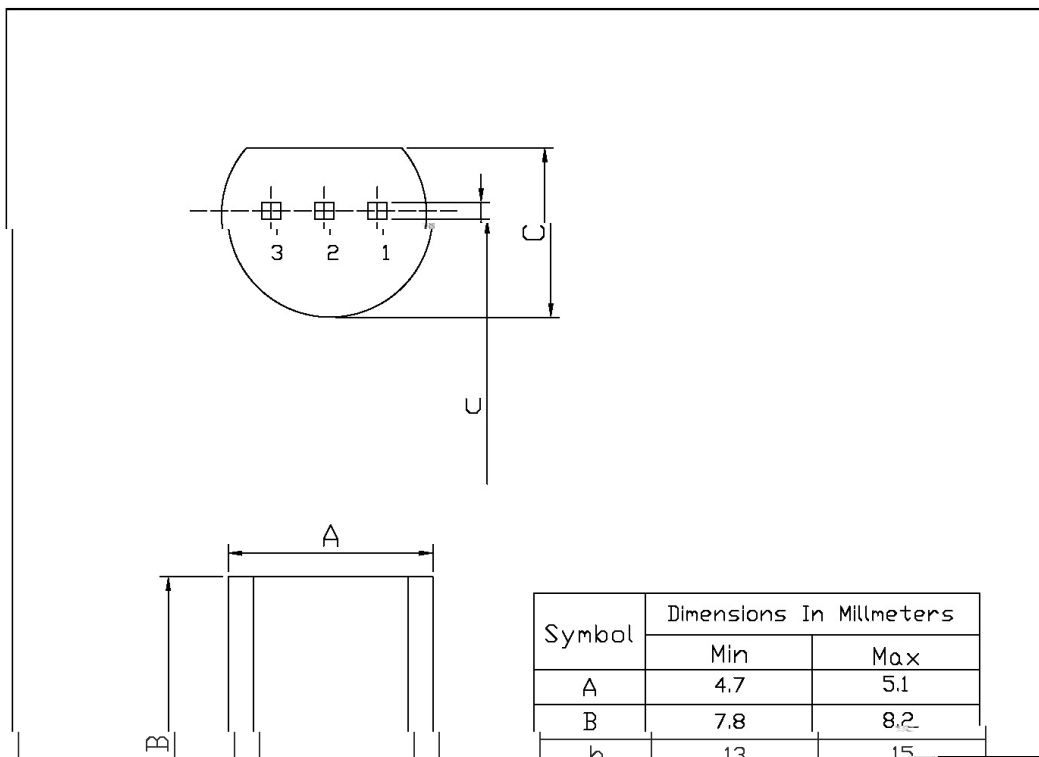

/ Electrical Characteristic Curve



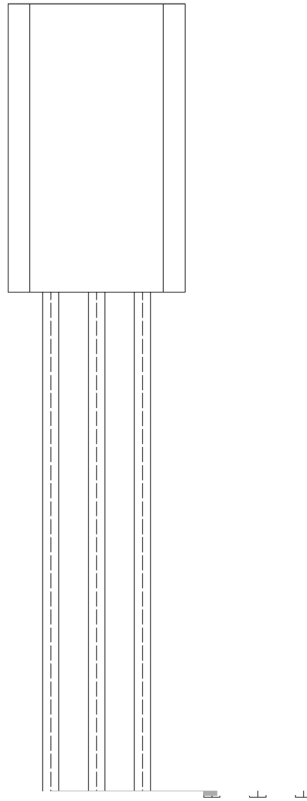
/ Package Dimensions

T0-92LM

Unit: mm

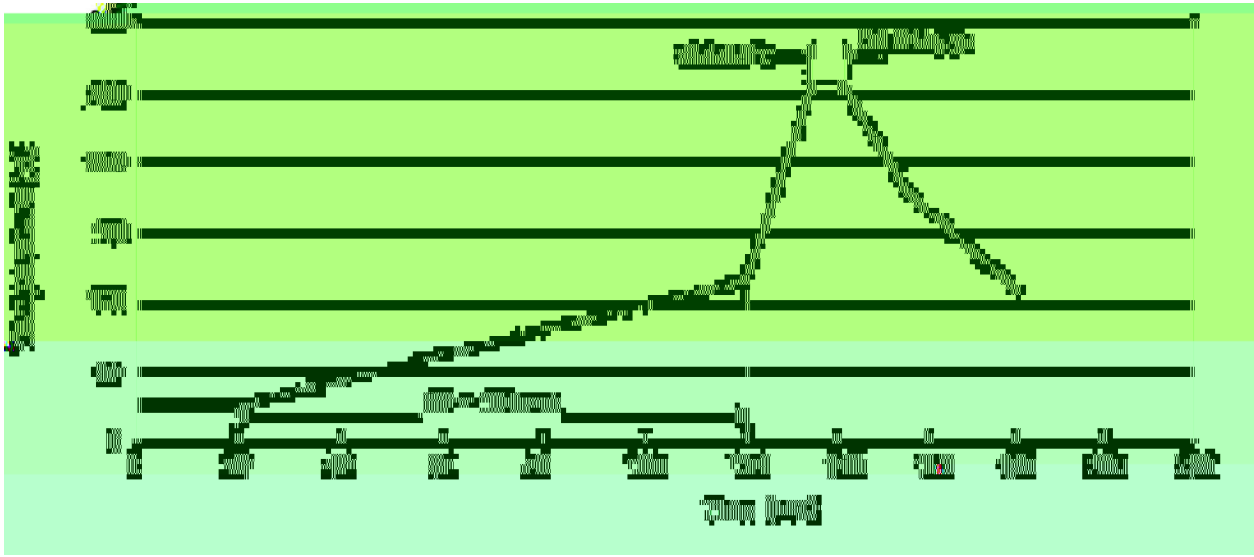


/ Marking Instructions



BR:  
A1370  
C:

( ) / Temperature Profile for Dip Soldering(Pb-Free)



± ± ± ±

/ Resistance to Soldering Heat Test Conditions

± ± ± ±

/ Packaging SPEC.

封装形式	包装数量					包装尺寸 :		
	Units/Bag 只/袋	Bags/Inner Box 袋/盒	Units/Inner Box 只/盒	Inner Boxes/Outer Box 盒/箱	Units/Outer Box 只/箱	Bag 袋	Inner Box 盒	Outer Box 箱
TO-92LM	1,000	8	8,000	5	40,000	135×190	237×172×102	560×245×195

封装形式	包装数量					包装尺寸 :	
	Units/tape 只/纸带	Tape/Inner Box 纸带/盒	Rows/Inner Box 纸带层/盒	Inner Boxes/Outer Box 盒/箱	Units/Outer Box 只/箱	Inner Box 盒	Outer Box 箱
TO-92LM	2,500	1	100	10	25,000	328×230×42	小箱 480×346×235 大箱 547×407×268

/ Notices