

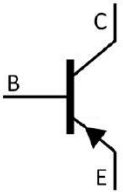
**/ Descriptions**

TO-126F          PNP

**/ Features**

**/ Applications**

**/ Equivalent Circuit**



**/ Pinning**



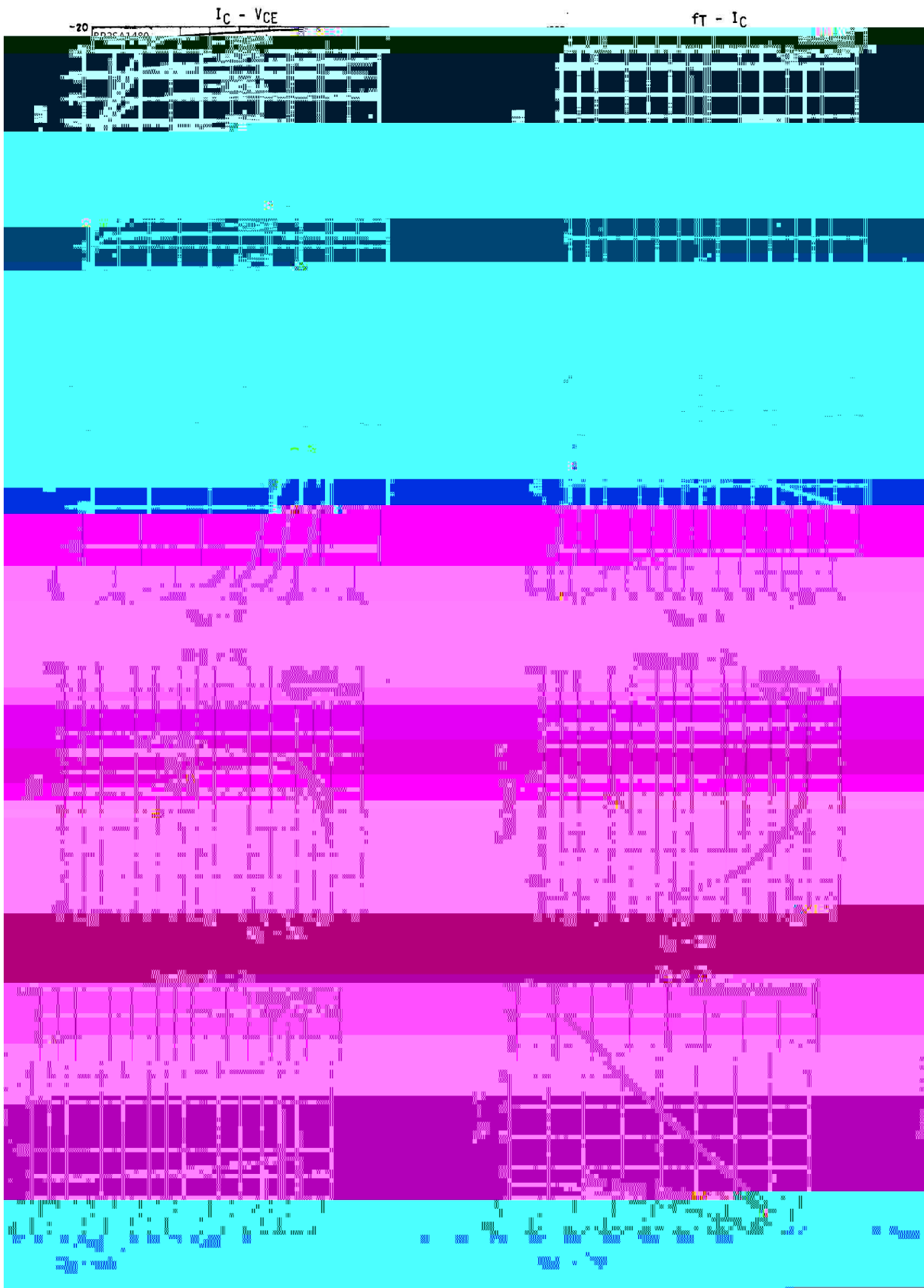
**/ h<sub>FE</sub> Classifications & Marking**


**/ Absolute Maximum Ratings(Ta=25 )**


**/ Electrical Characteristics(Ta=25 )**

		$\mu$				
		$\infty$				
		$\mu$				
						$\mu$
						$\mu$

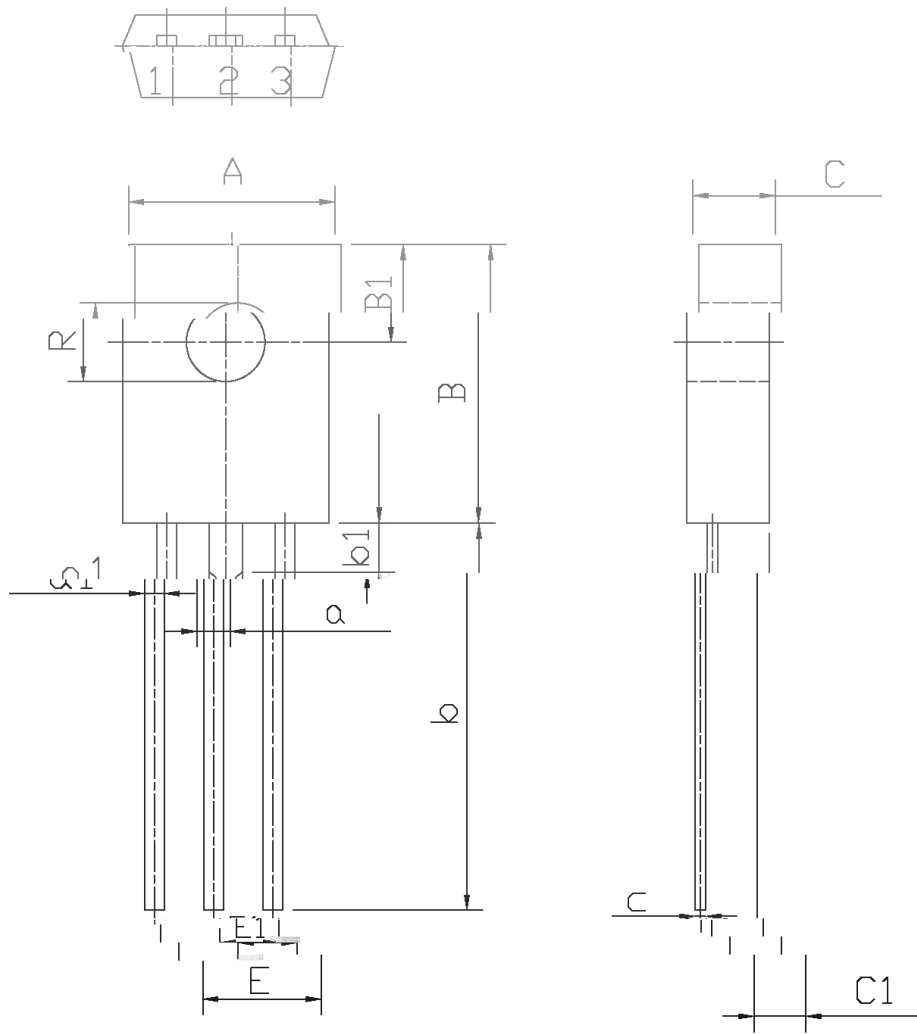
/ Electrical Characteristic Curve



/ Package Dimensions

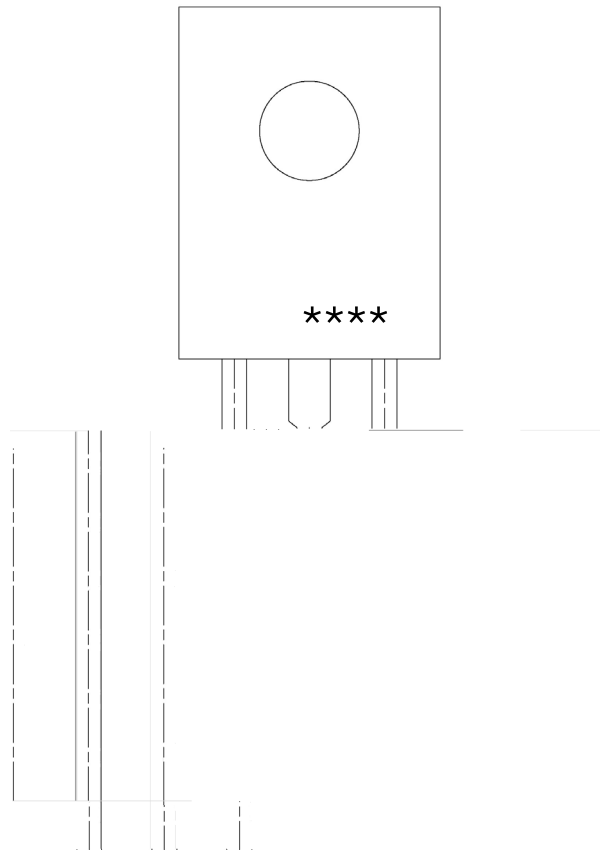
TO-18

单位: mm



Symbol	Dimensions in Millimeters		Symbol	Dimensions in Millimeters	
	Min	Max		Min	Max
A	7.8	8.2	a1	0.65	0.85
B	10.8	11.2	E	4.4	4.8
B1	3.8	4.2	C	3.1	3.3
R	2.05	3.15	C1	1.9	2.1
b	14	16	c	0.3	0.6
b1	1.9		a	1.27	
E1	2.1	2.5			

/ Marking Instructions



BR

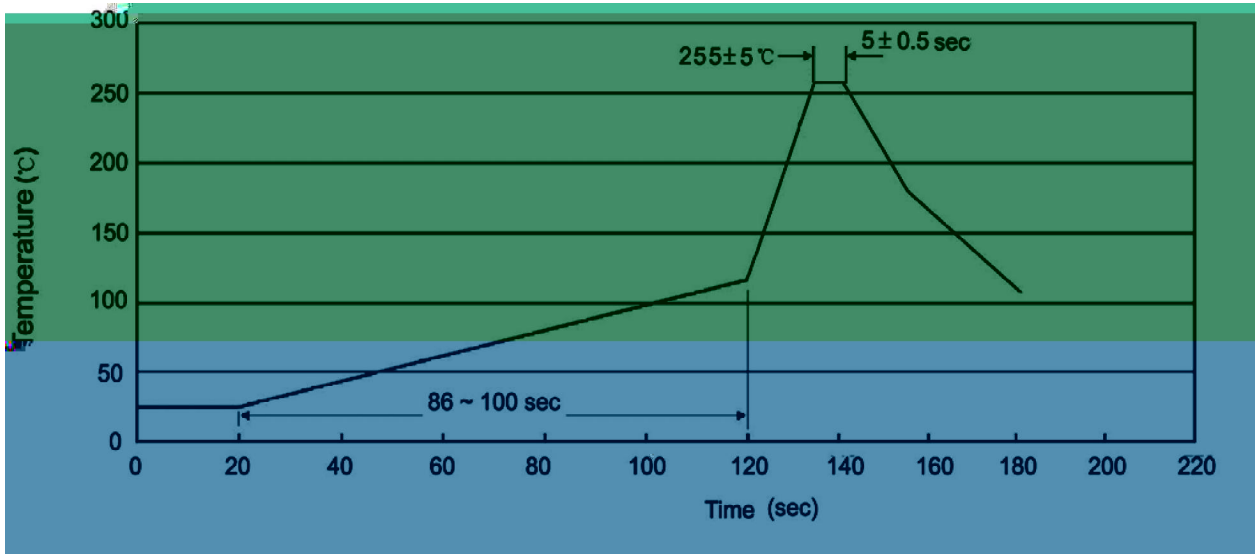
A1480

C:

\*\*\*\*

$h_{FE}$

( ) / Temperature Profile for Dip Soldering(Pb-Free)



± ± ± ±

/ Resistance to Soldering Heat Test Conditions

± ±

/ Packaging SPEC.

封装形式	包装数量					包装尺寸 :		
	Units/Tube 只/套管	Tubes/Inner Box 套管/盒	Units/Inner Box 只/盒	Inner Boxes/Outer Box 盒/箱	Units/Outer Box 只/箱	Tube 套管	Inner Box 盒	Outer Box 箱
TO-126/F	500	6	3,000	5	15,000	135×190	237×172×102	560×245×195

封装形式	包装数量					包装尺寸 :		
	Units/Tube 只/套管	Tubes/Inner Box 套管/盒	Units/Inner Box 只/盒	Inner Boxes/Outer Box 盒/箱	Units/Outer Box 只/箱	Tube 套管	Inner Box 盒	Outer Box 箱
TO-126/F	65	26	1,690	5	8,450	532×31×5.6	555×164×50	575×290×180

/ Notices