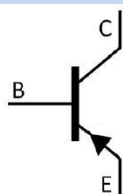


/ Descriptions

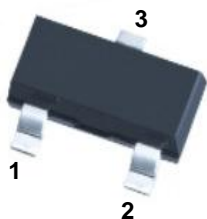
/ Features

/ Applications

/ Equivalent Circuit



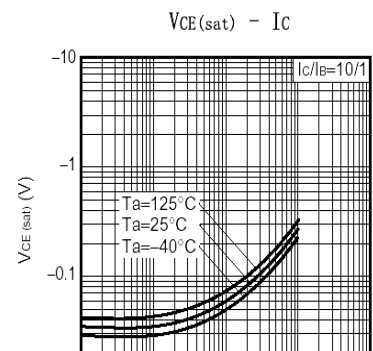
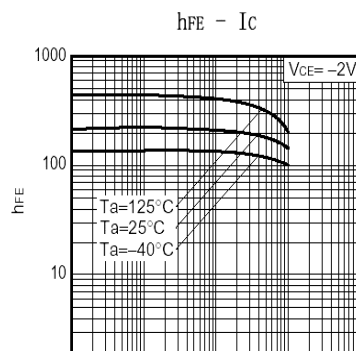
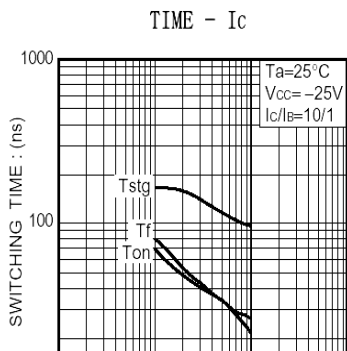
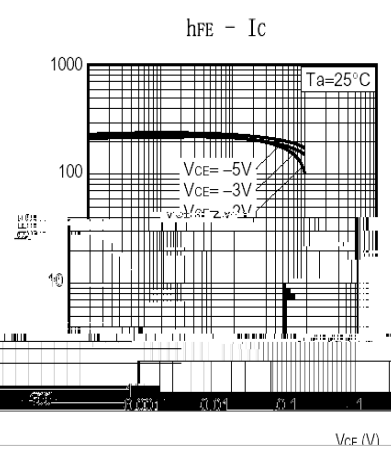
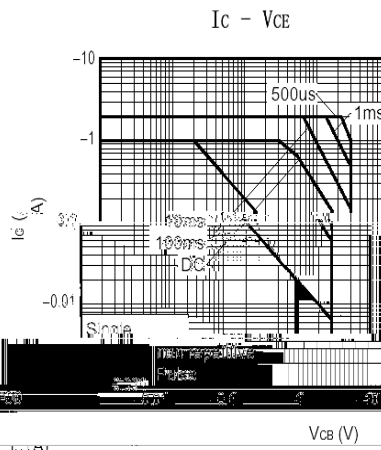
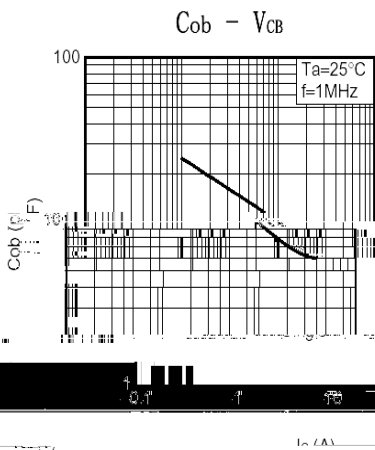
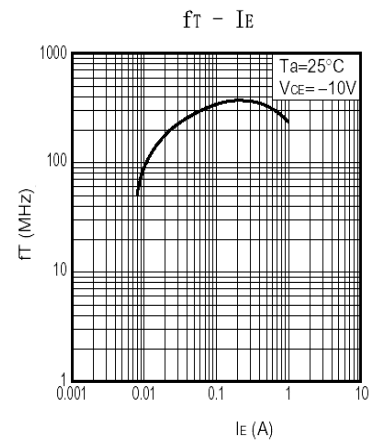
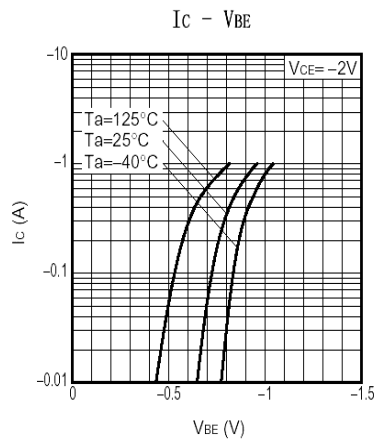
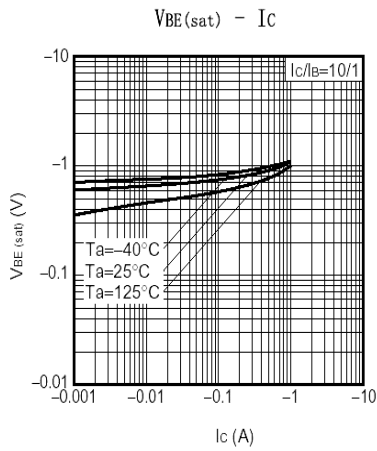
/ Pinning



/ h_{FE} Classifications & Marking

2SA2048

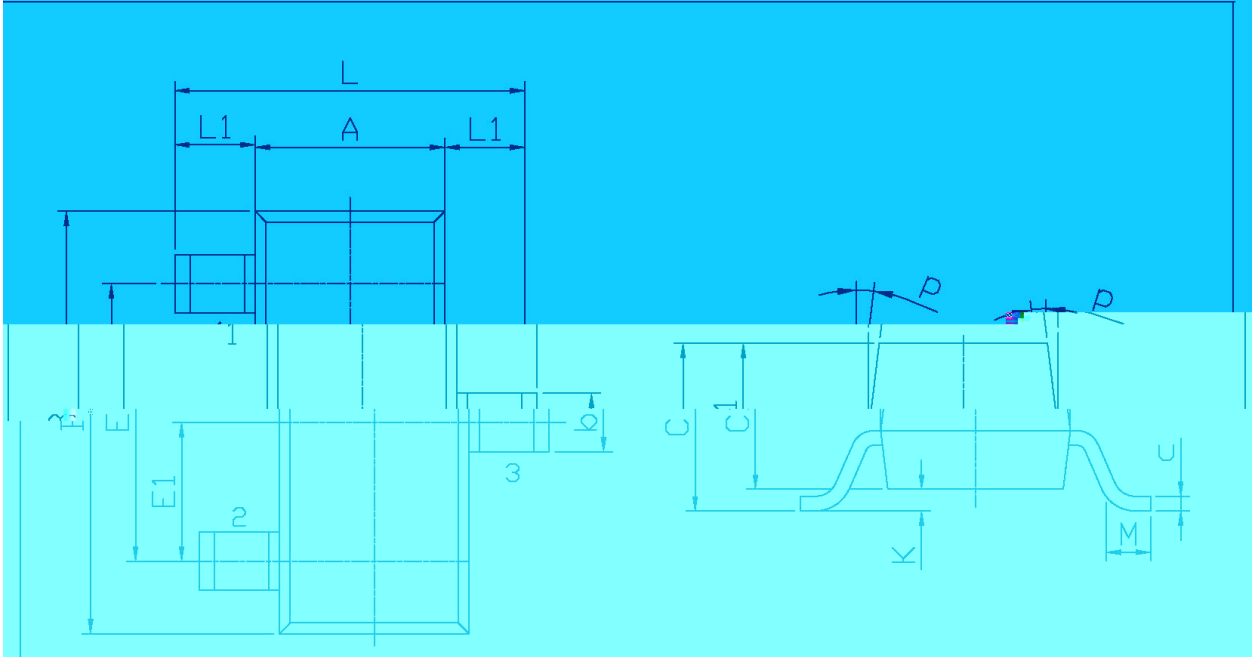
/ Electrical Characteristic Curve



/ Package Dimensions

SOT-23

单位: mm



Symbol	Dimensions In Millimeters		Symbol	Dimensions In Millimeters	
	Min	Max		Min	Max
L	2.2	2.7	C	1.30Max	
L1	0.45	0.65	C1	0.90	1.20
A	1.15	1.50	c	0.05	0.20
R	2.70	2.70			

/ Marking Instructions

