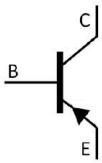


TO-92LM PNP Silicon PNP transistor in a TO-92LM Plastic Package.

2SD1858
 Low saturation voltage, complements the 2SD1858.

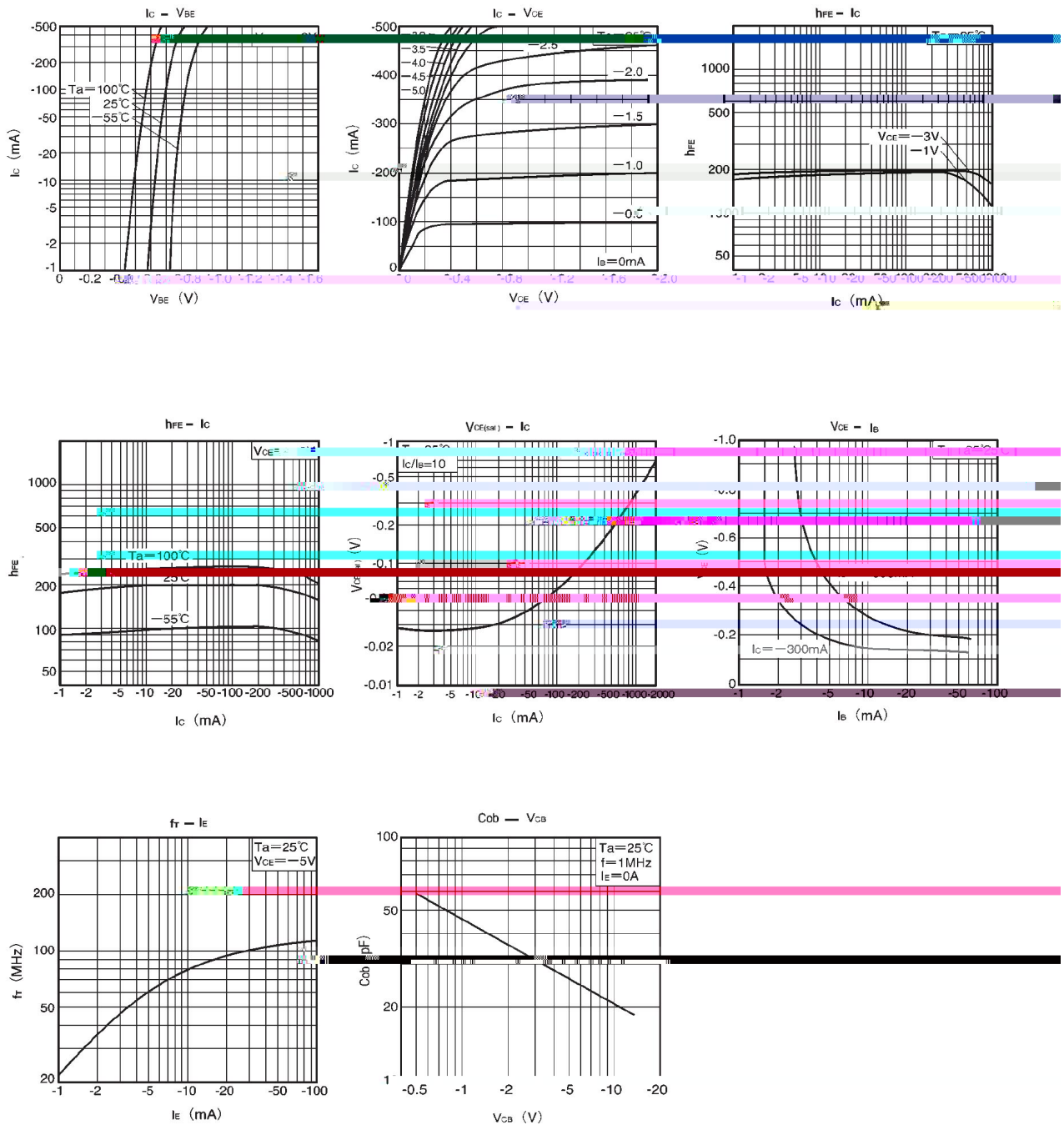
Medium power amplifier applications.



PIN1 Base PIN 2 Collector PIN 3 Emitter

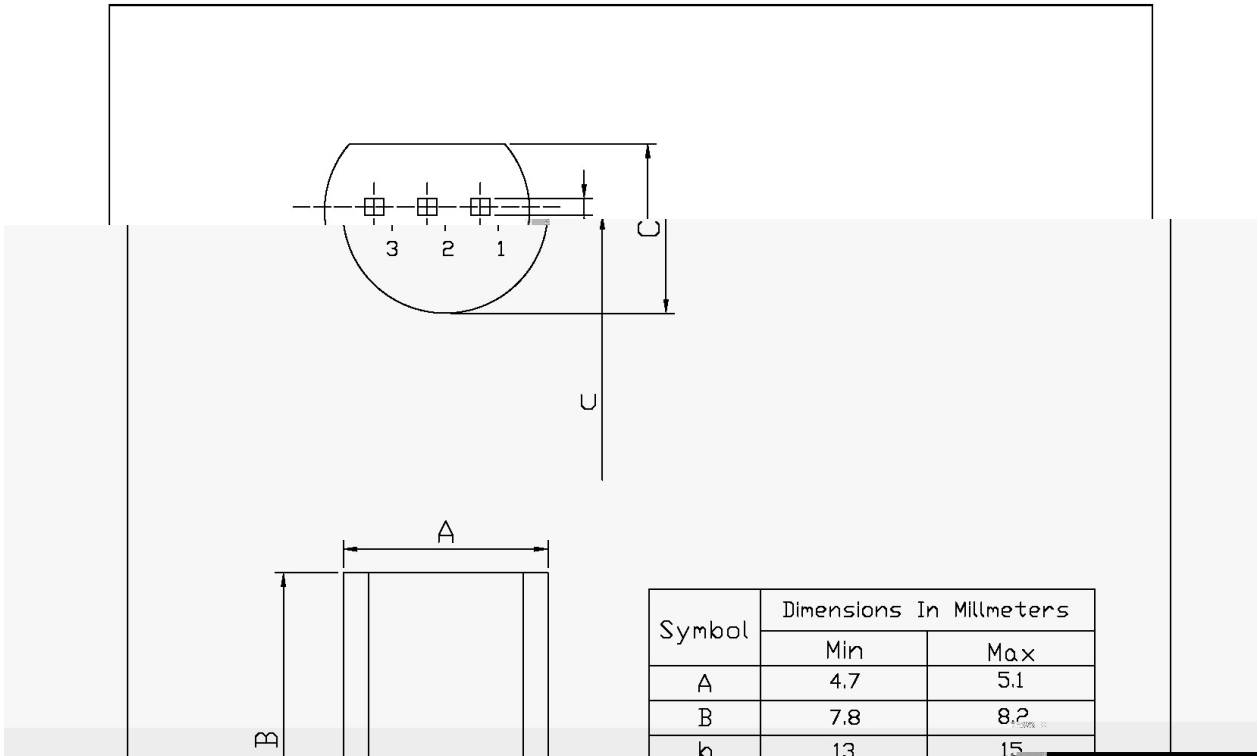
| h_{FE} Classifications Symbol | P | Q | R |
|------------------------------------|--------|---------|---------|
| h_{FE} Range | 82 180 | 120 270 | 180 390 |

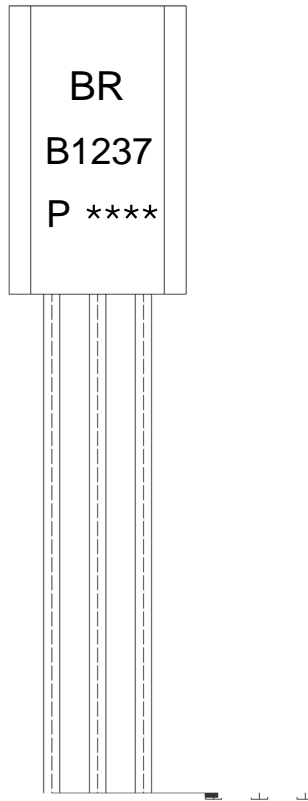
| Parameter | Symbol | Rating | Unit |
|------------------------------|-----------|--------|------|
| Collector to Base Voltage | V_{CBO} | -40 | V |
| Collector to Emitter Voltage | V_{CEO} | -32 | V |
| Emitter to Base Voltage | V_{EBO} | -5.0 | V |
| Collector Current (DC) | I_C | -1.0 | A |
| Collector Current(Pulse) | I_{CP} | -2.0 | A |
| Collector Power Dissipation | P_C | 1.0 | W |



TO-92LM

Unit: mm





BR:

B1237

P: h_{FE}

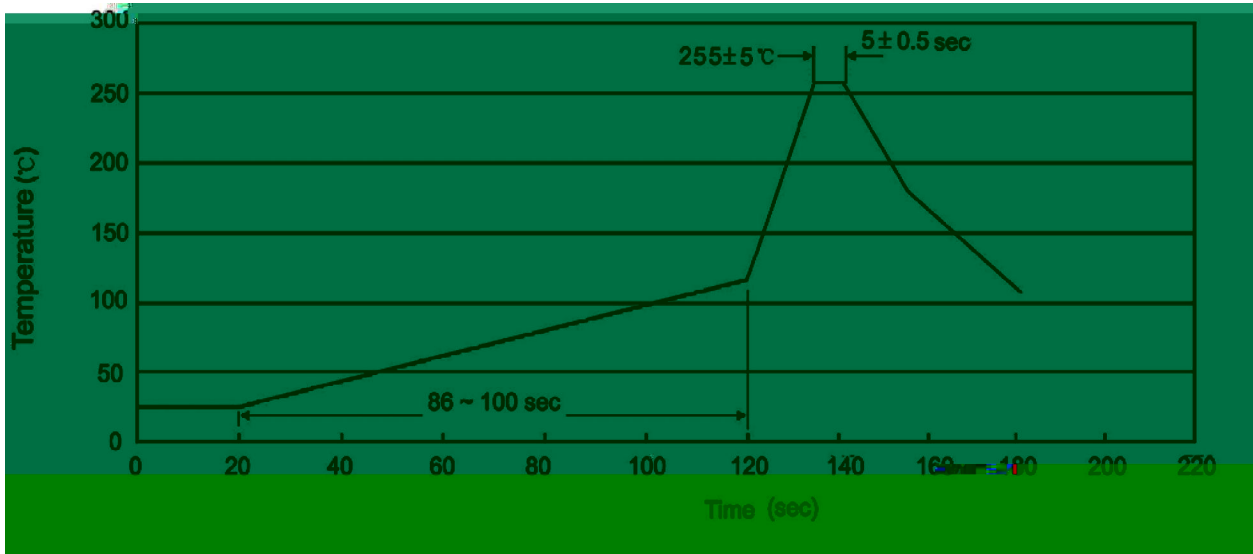
Note:

BR: Company Code.

B1237: Product Type.

P: h_{FE} Classifications Symbol

****: Lot No. Code,code change with Lot No.



Note:

- | | | | |
|---|--------|-----------|---|
| 1 | 25 150 | 60 90sec; | 1.Preheating:25~150 , Time:60~90sec. |
| 2 | 255±5 | 5±0.5sec; | 2.Peak Temp.:255±5 , Duration:5±0.5sec. |
| 3 | 2 10 | /sec. | 3. Cooling Speed: 2~10 /sec. |

270±5

10±1 sec.

Temp.:270±5°C

Time:10±1 sec

/ BULK

| Package Type 封装形式 | Units 包装数量 | | | | | Dimension 包装尺寸 (unit: mm3) | | |
|----------------------|------------------|-----------------------|------------------------|------------------------------|------------------------|----------------------------|-------------|-------------|
| | Units/Bag 只/袋 | Bags/Inner Box 袋/盒 | Units/Inner Box 只/盒 | Inner Boxes/Outer Box 盒/箱 | Units/Outer Box 只/箱 | Bag 袋 | Inner Box 盒 | Outer Box 箱 |
| TO-92LM | 1,000 | 8 | 8,000 | 5 | 40,000 | 135×190 | 237×172×102 | 560×245×195 |

/ AMMO

| Package Type 封装形式 | Units 包装数量 | | | | | Dimension 包装尺寸 (unit: mm3) | |
|----------------------|--------------------|------------------------|-------------------------|------------------------------|------------------------|----------------------------|----------------------------------|
| | Units/tape 只/纸带 | Tape/Inner Box 纸带/盒 | Rows/Inner Box 纸带层/盒 | Inner Boxes/Outer Box 盒/箱 | Units/Outer Box 只/箱 | Inner Box 盒 | Outer Box 箱 |
| TO-92LM | 2,500 | 1 | 100 | 10 | 25,000 | 328×230×42 | 小箱 480×346×235 大箱 547×407×268 |