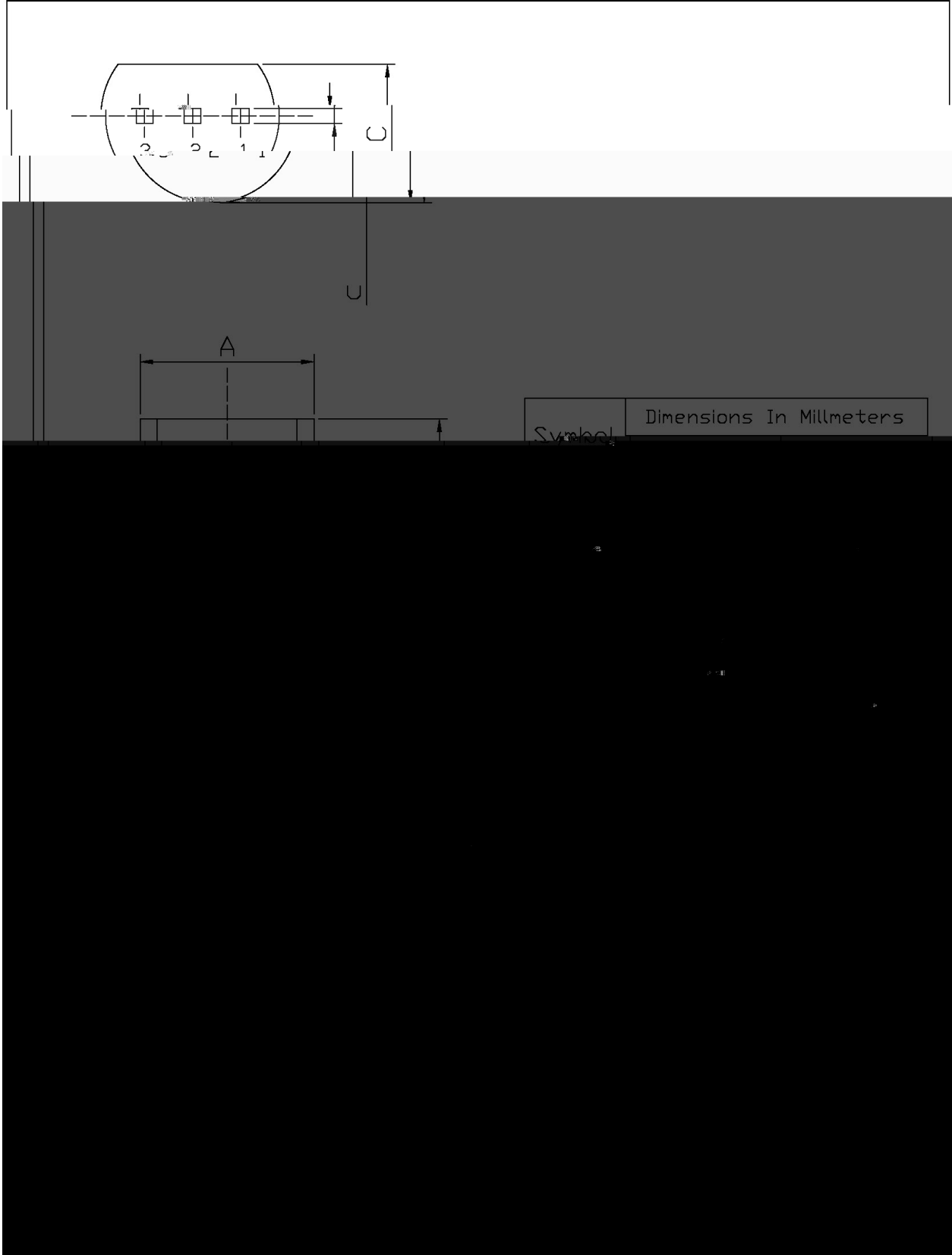
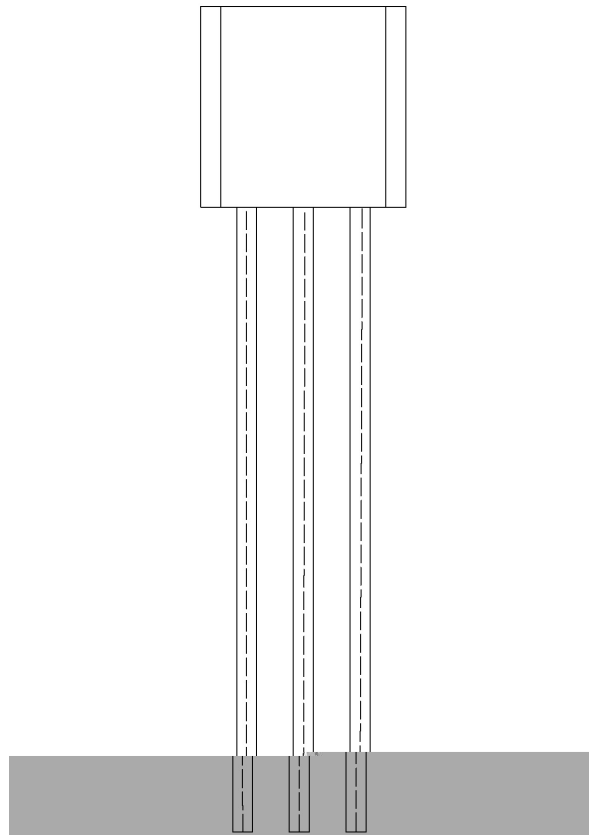


T0-92

Unit: mm



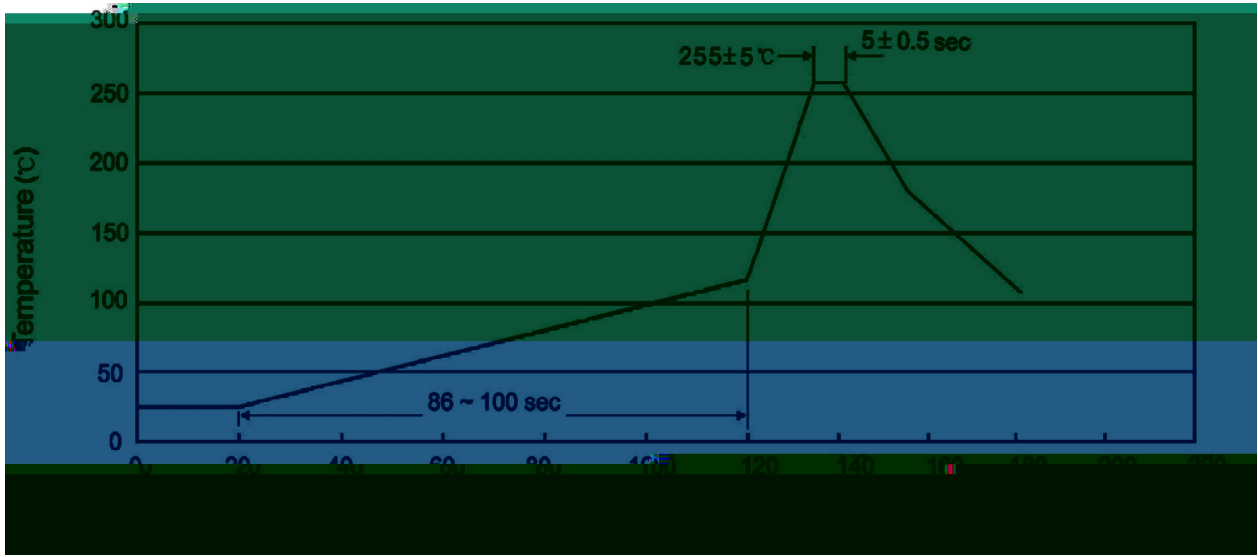


BR:

B1426

P:

\*\*\*\*



±

±

±

±

±

±

