

**/ Descriptions**

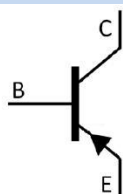
TO-92          PNP

**/ Features**

2SD467

**/ Applications**

**/ Equivalent Circuit**



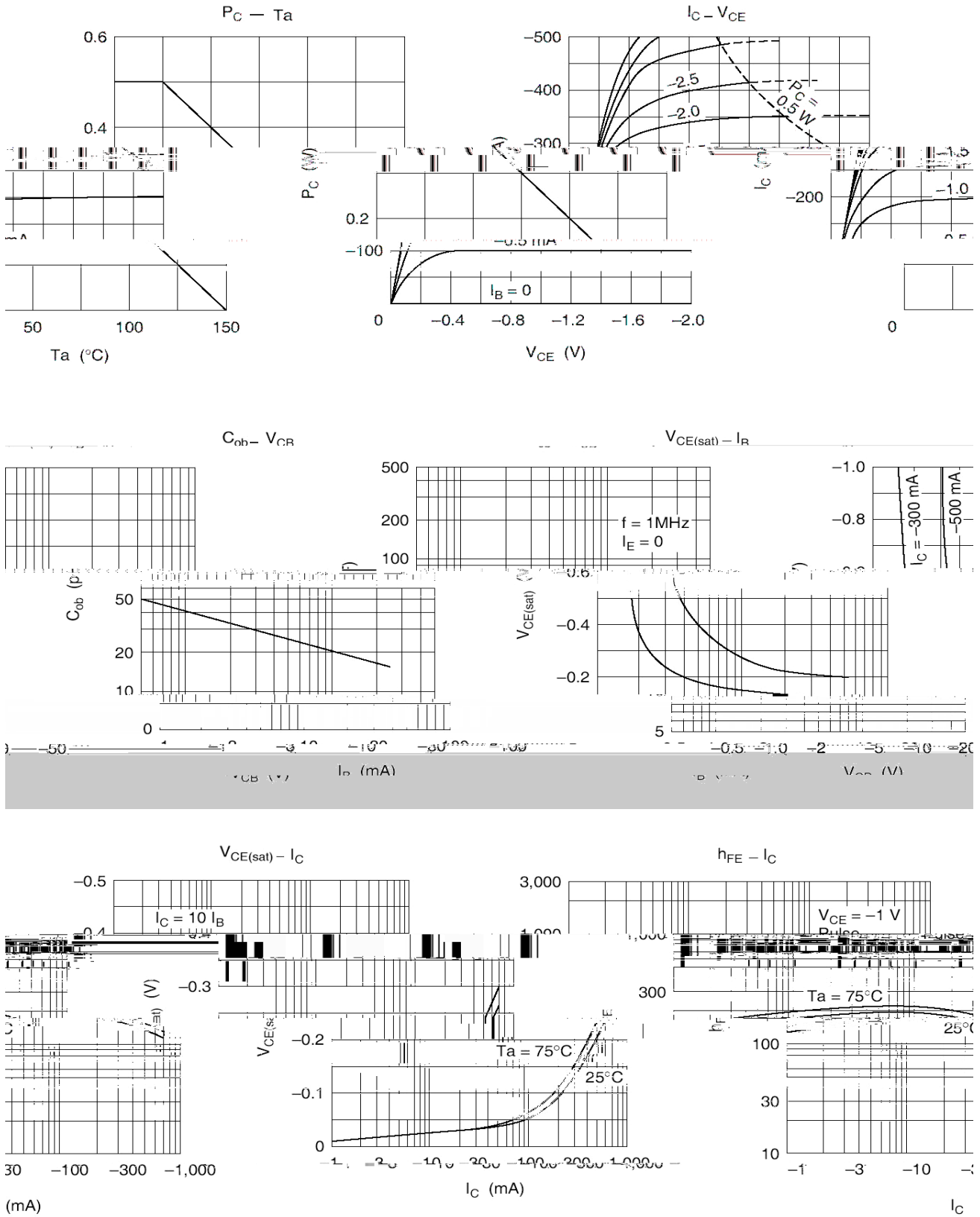
**/ Pinning**



**/ hFE Classifications & Marking**



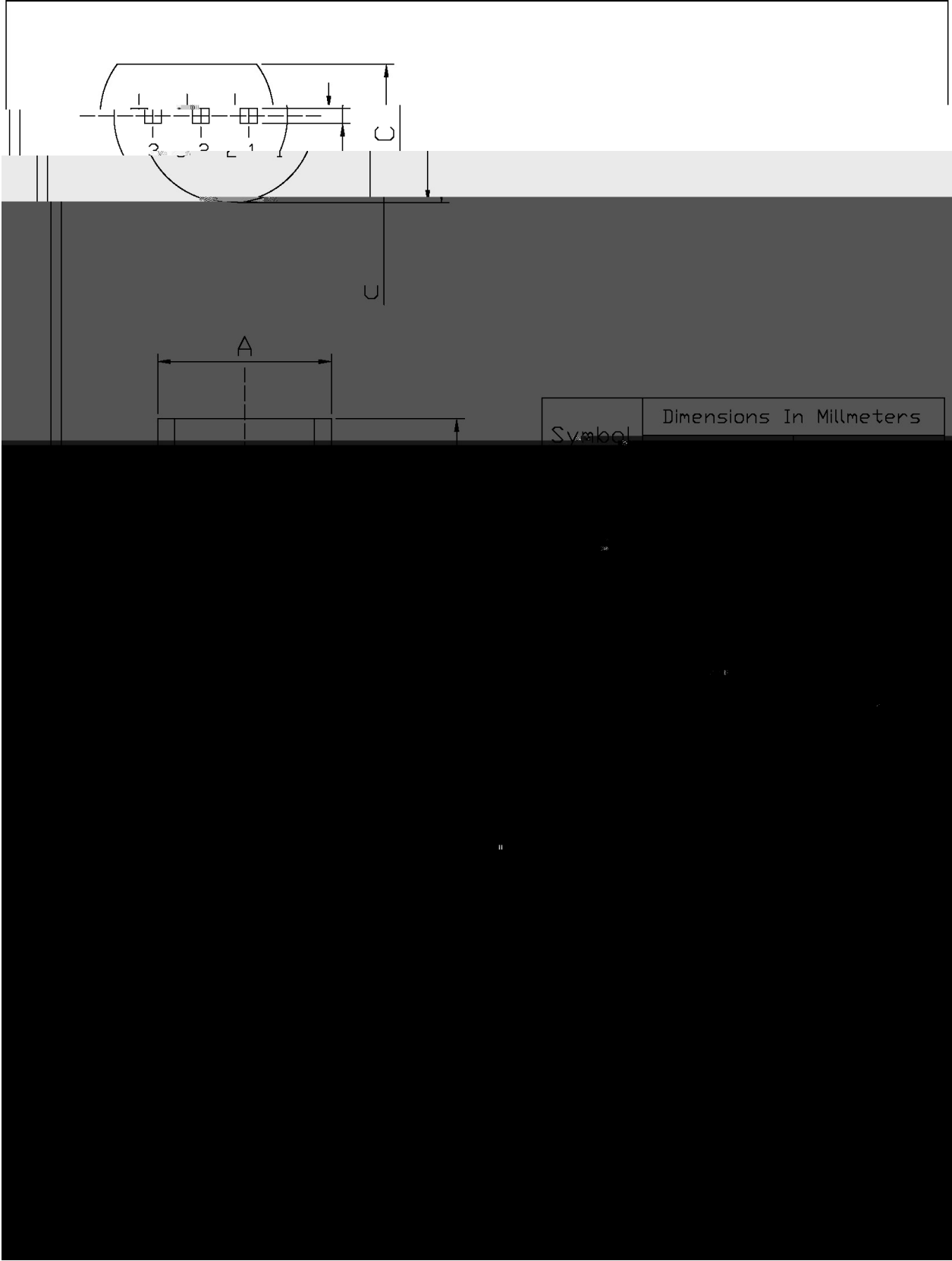

/ Electrical Characteristic Curve



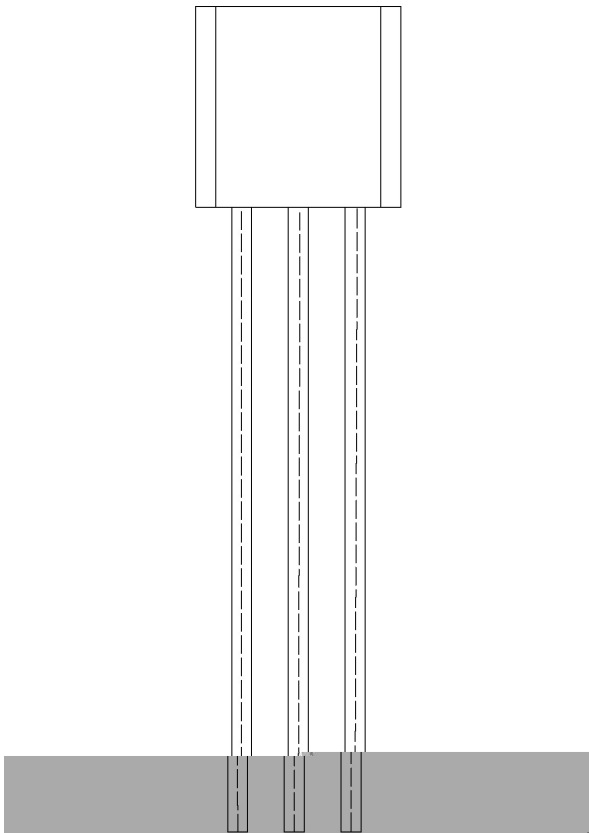
/ Package Dimensions

T0-92

Unit: mm

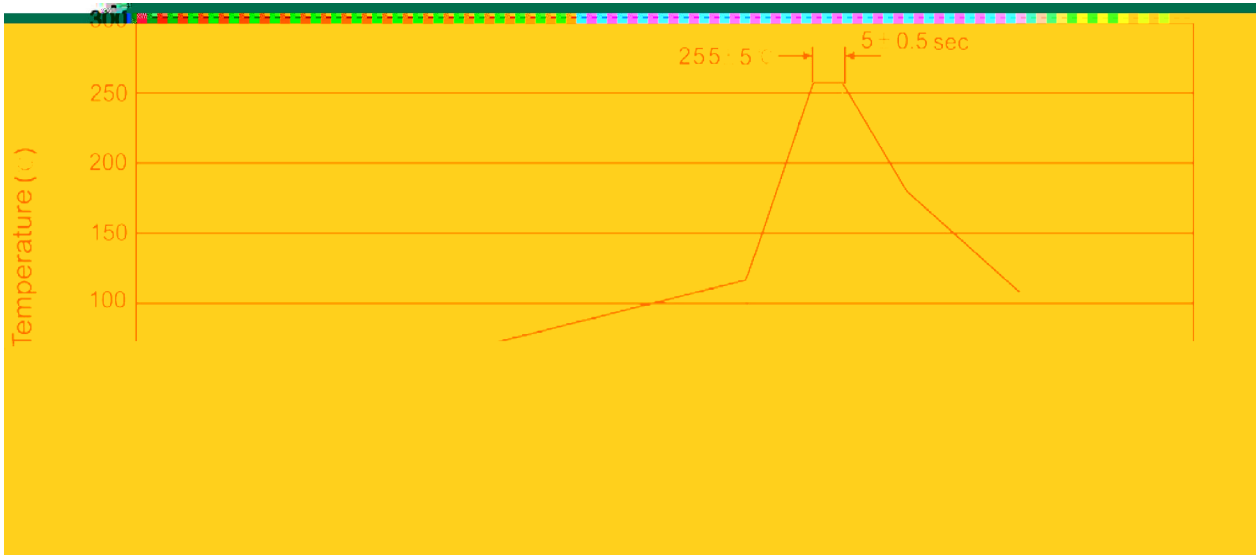


/ Marking Instructions



BR:  
B561  
B:  
\*\*\*\*

( ) / Temperature Profile for Dip Soldering(Pb-Free)



± ± ± ±

/ Resistance to Soldering Heat Test Conditions

± ±

/ Packaging SPEC.

封装形式	包装数量					包装尺寸 :		
	只袋	袋盒	只盒	盒箱	只箱	袋	盒	箱