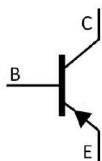


/ Descriptions

/ Features

/ Applications

/ Equivalent Circuit



/ Pinning



/ h_{FE} Classifications & Marking

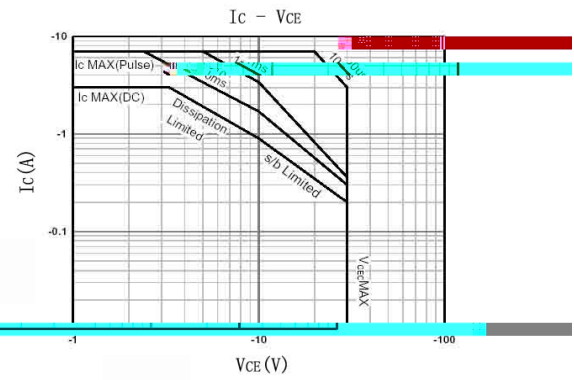
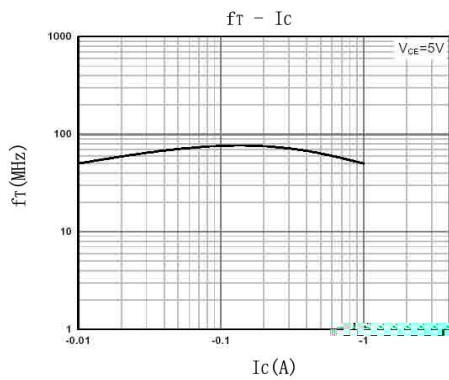
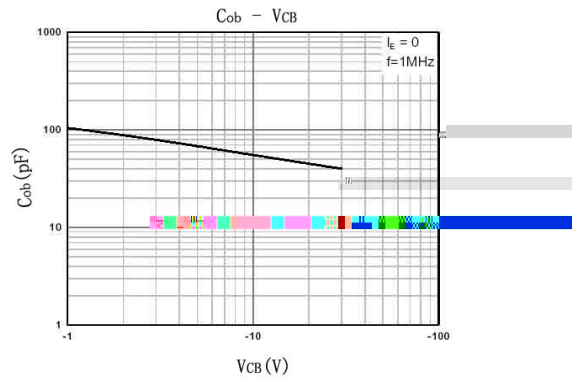
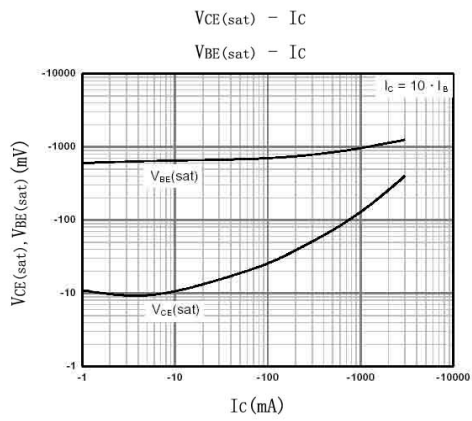
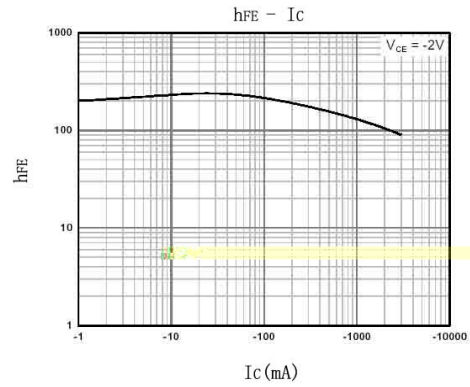
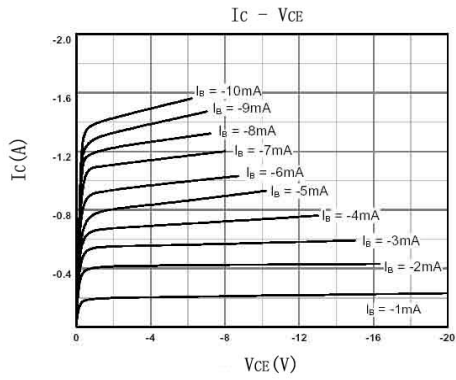
/ Absolute Maximum Ratings(Ta=25)

		°C	
			°C
			°C

/ Electrical Characteristics(Ta=25)

							μ
							μ

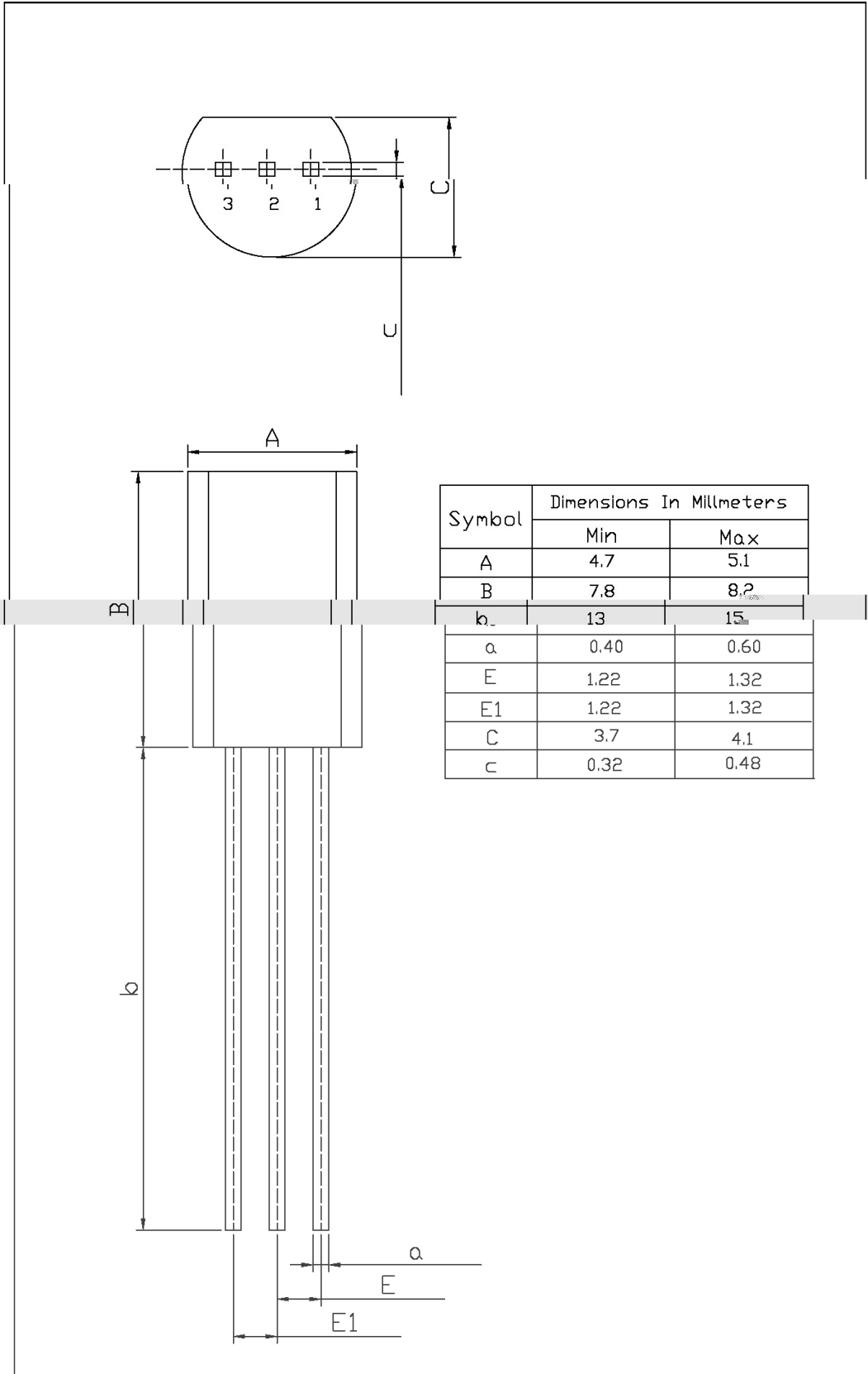
/ Electrical Characteristic Curve



/ Package Dimensions

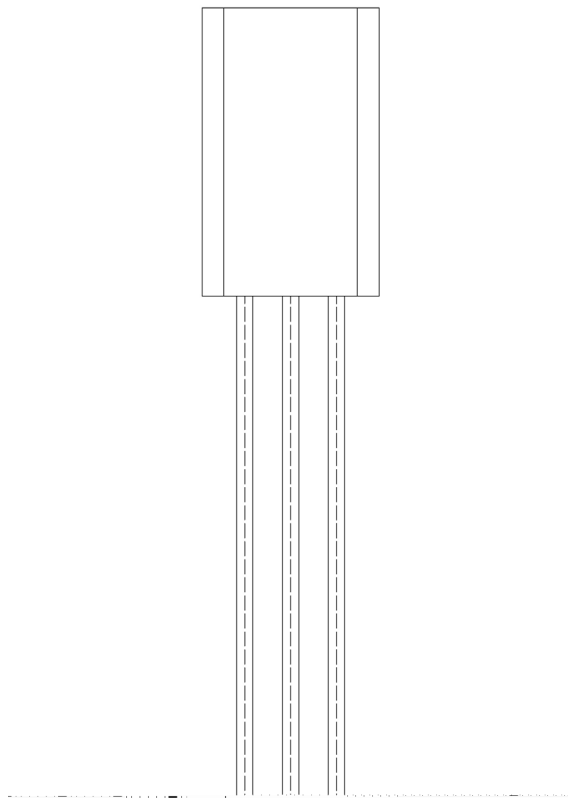
T0-92LM

Unit: mm

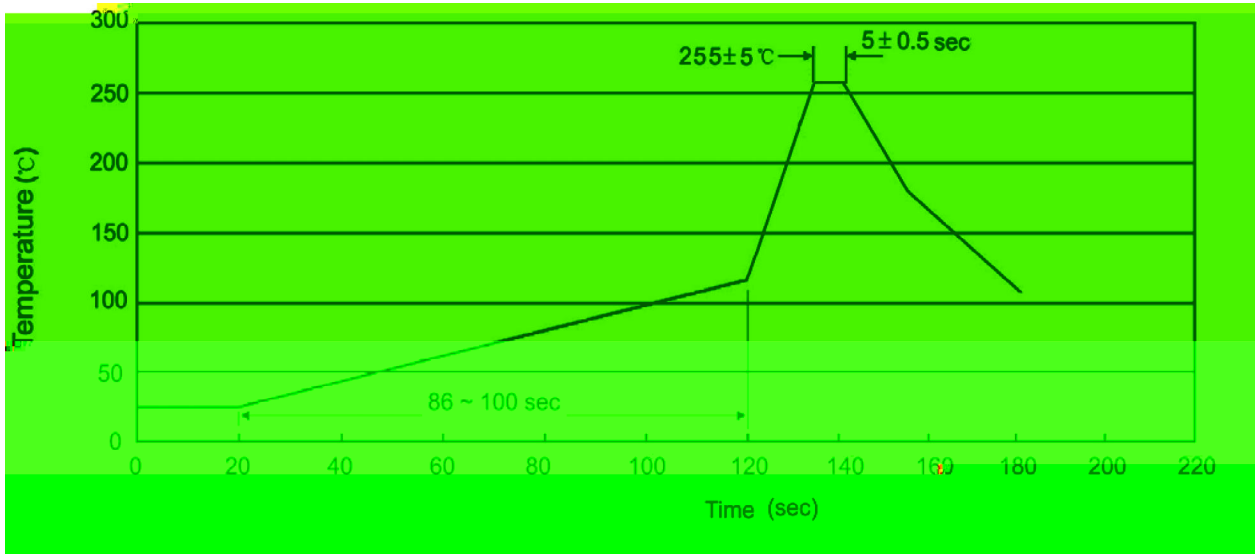


Symbol	Dimensions In Millimeters	
	Min	Max
A	4.7	5.1
B	7.8	8.2
b	13	15
a	0.40	0.60
E	1.22	1.32
E1	1.22	1.32
C	3.7	4.1
c	0.32	0.48

/ Marking Instructions



() / Temperature Profile for Dip Soldering(Pb-Free)



/ Resistance to Soldering Heat Test Conditions

°C

/ Packaging SPEC.

/ Notices