

TO-92LM NPN Silicon NPN transistor in a TO-92LM Plastic Package.

High breakdown voltage, low output capacitance, high f_T .

TV video output, high voltage switching and driver stage of audio amplifier applications.

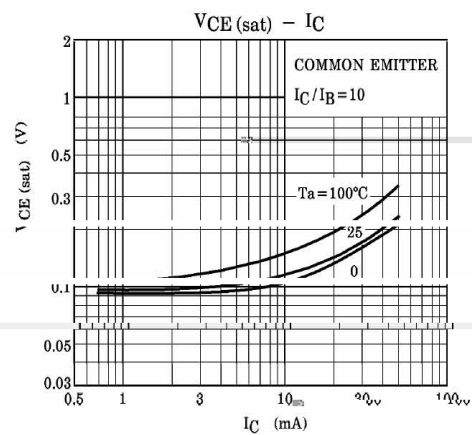
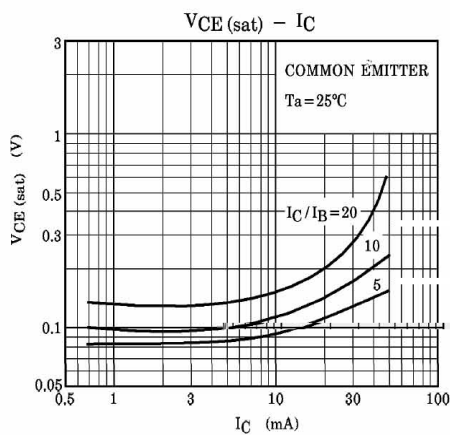
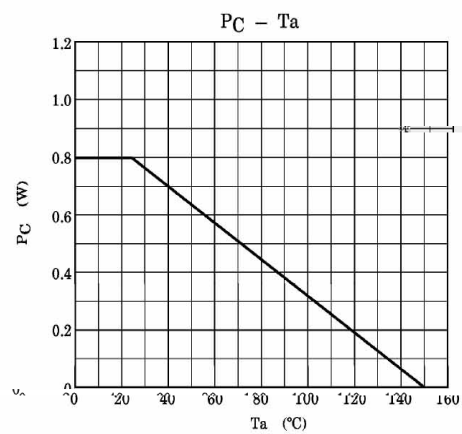
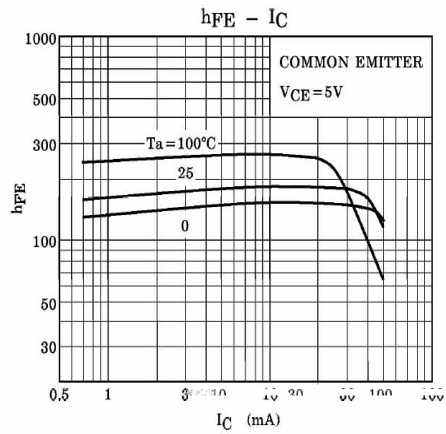
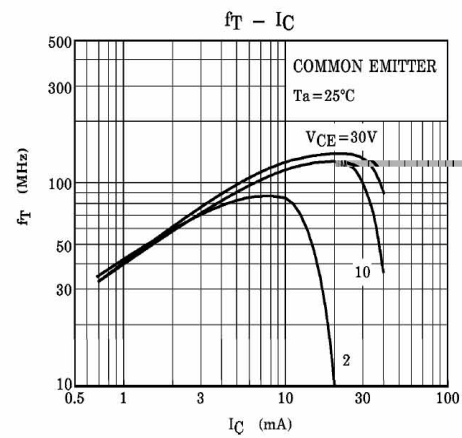
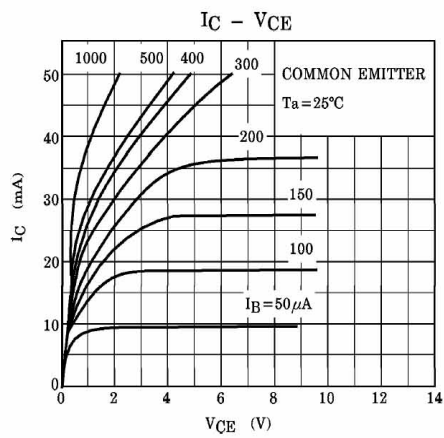


PIN1 Base PIN 2 Collector PIN 3 Emitter

h_{FE} Classifications Symbol	O	Y
h_{FE} Range	70~140	120~240

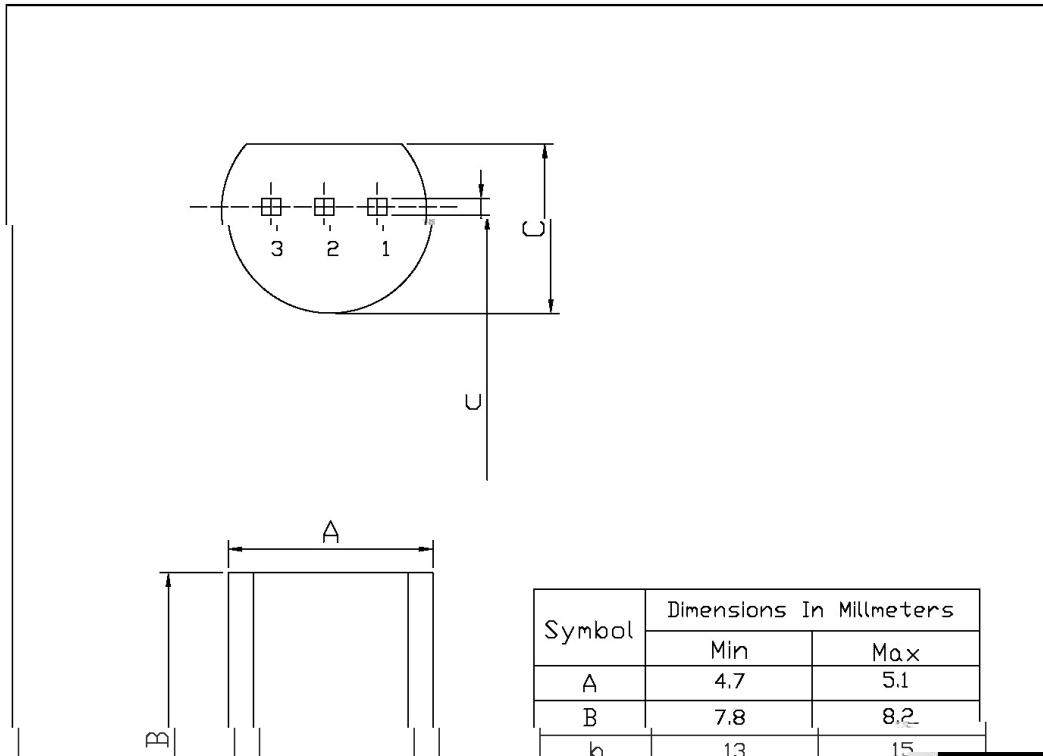
Parameter	Symbol	Rating	Unit
Collector to Base Voltage	V_{CBO}	200	V
Collector to Emitter Voltage	V_{CEO}	150	V
Emitter to Base Voltage	V_{EBO}	5.0	V
Collector Current (DC)	I_C	50	mA
Emitter Current	I_E	-50	mA
Collector Power Dissipation	P_C	800	mW
Junction Temperature	T_j	150	
Storage Temperature Range	T_{stg}	-55~150	

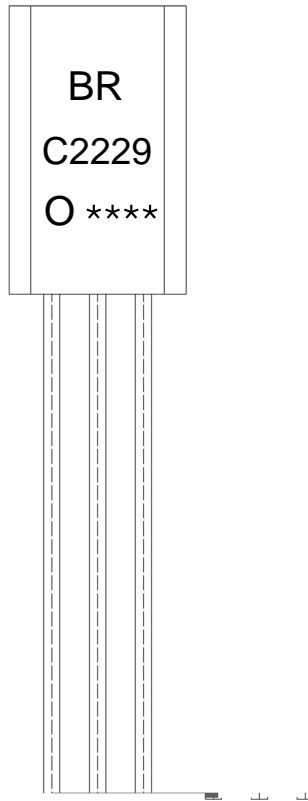
Parameter	Symbol	Test Conditions	Min	Typ	Max	Unit
Collector Cut-Off Current	I_{CBO}	$V_{CB}=200V$ $I_E=0$			0.1	μA
Emitter Cut-Off Current	I_{EBO}	$V_{EB}=5.0V$ $I_C=0$			0.1	μA
DC Current Gain	h_{FE}					



TO-92LM

Unit: mm





BR:

C2229

O: h_{FE}

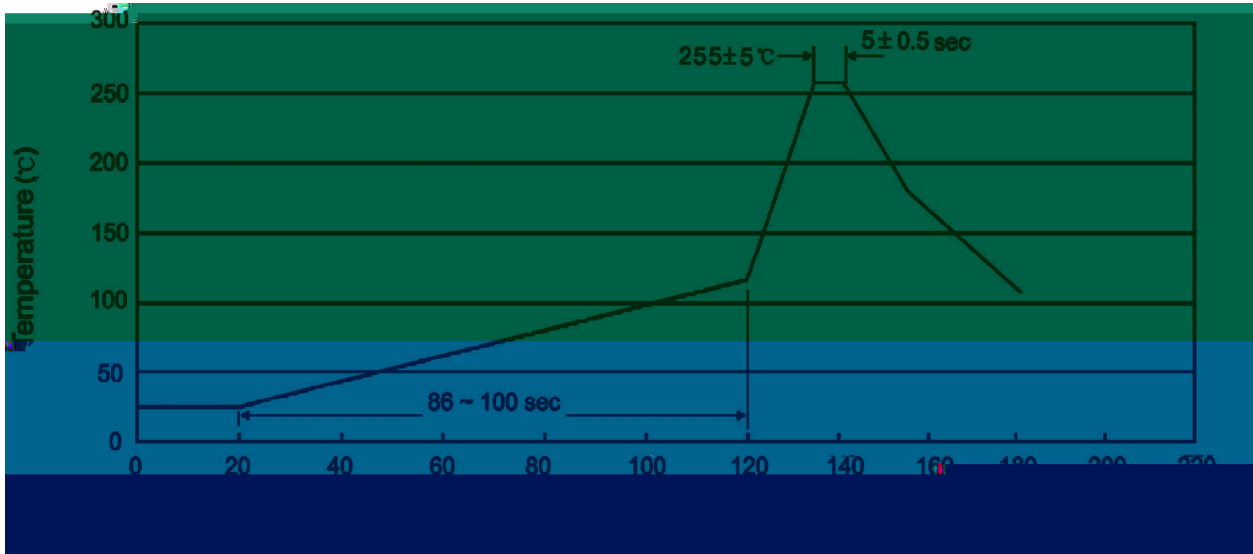
Note:

BR: Company Code.

C2229: Product Type.

O: h_{FE} Classifications Symbol

****: Lot No. Code,code change with Lot No.


Note:

- | | | | |
|---|--------|-----------|---|
| 1 | 25 150 | 60 90sec; | 1.Preheating:25~150 , Time:60~90sec. |
| 2 | 255±5 | 5±0.5sec; | 2.Peak Temp.:255±5 , Duration:5±0.5sec. |
| 3 | 2 10 | /sec. | 3. Cooling Speed: 2~10 /sec. |

270±5

10±1 sec.

Temp.:270±5

Time:10±1 sec

/ BULK

Package Type 封装形式	Units 包装数量					Dimension 包装尺寸 (unit: mm3)		
	Units/Bag 只/袋	Bags/Inner Box 袋/盒	Units/Inner Box 只/盒	Inner Boxes/Outer Box 盒/箱	Units/Outer Box 只/箱	Bag 袋	Inner Box 盒	Outer Box 箱
TO-92LM	1,000	8	8,000	5	40,000	135×190	237×172×102	560×245×195

/ AMMO

Package Type 封装形式	Units 包装数量					Dimension 包装尺寸 (unit: mm3)	
	Units/tape 只/纸带	Tape/Inner Box 纸带/盒	Rows/Inner Box 纸带层/盒	Inner Boxes/Outer Box 盒/箱	Units/Outer Box 只/箱	Inner Box 盒	Outer Box 箱
TO-92LM	2,500	1	100	10	25,000	328×230×42	小箱 480×346×235 大箱 547×407×268