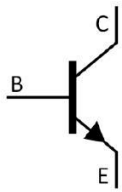
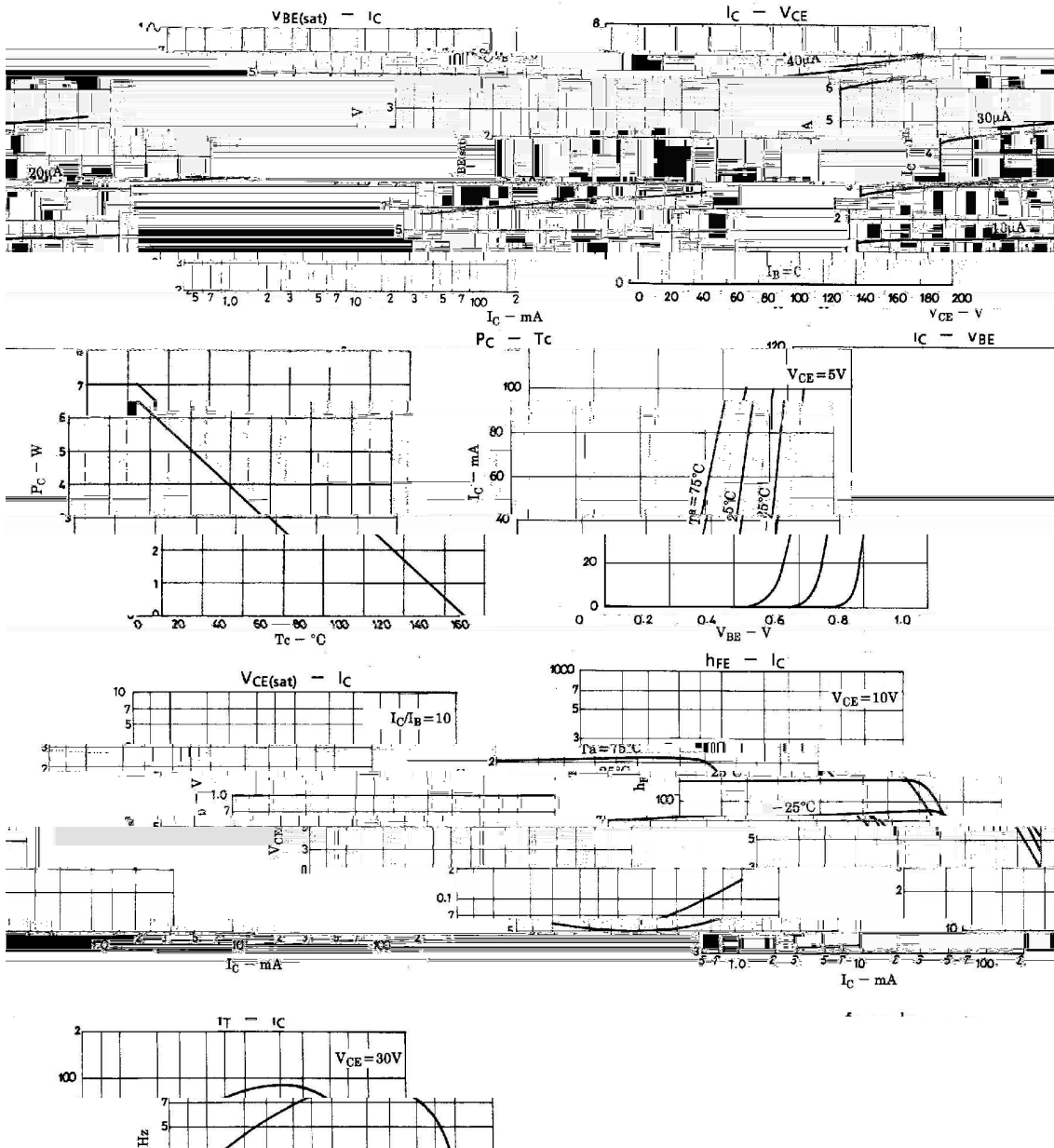


TO-126F

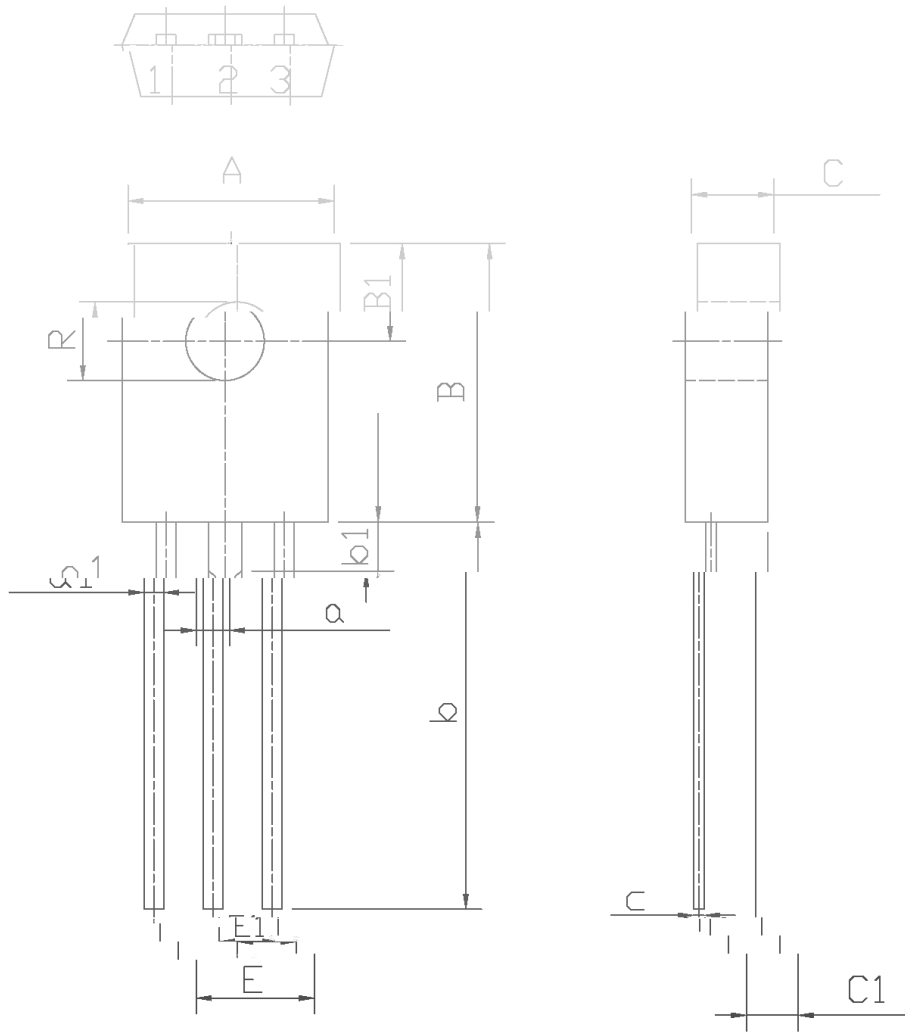
NPN



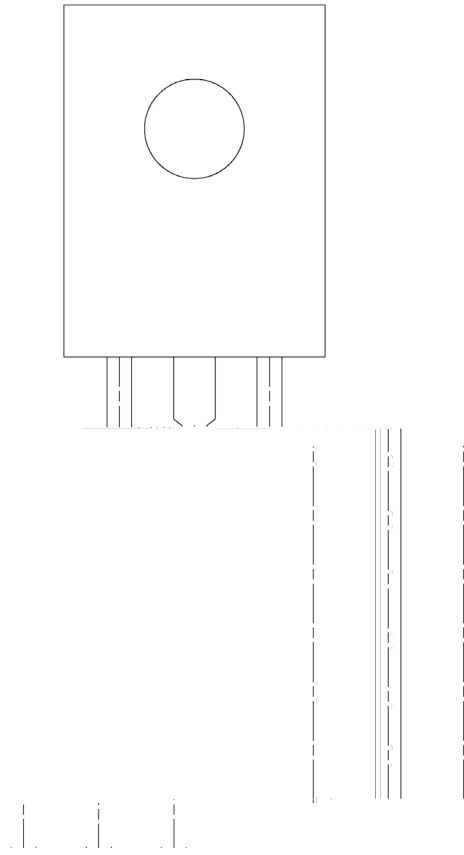


FW-126T

单位: mm



Symbol	Dimension in Millimeters		Symbol	Dimension in Millimeters	
	Min	Max		Min	Max
A	7.8	8.2	a1	0.55	0.85
B	10.8	11.2	E	4.4	4.8
B1	3.8	4.2	C	3.1	3.3
R	2.05	3.15	C1	1.9	2.1
b	14	16	c	0.3	0.6
b1	1.9		a	1.27	
E1	2.1	2.5			



BR

C3417

C

h_{FE}

