

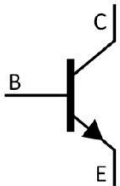
Rev.E Mar.-2016

SOT-323 NPN Silicon NPN transistor in a SOT-323 Plastic Package.

- $V_{ce(sat)} = 0.3V_{max}$

Collector to emitter saturation voltage $V_{ce(sat)} = 0.3V_{max}$ Excellent lineality of DC forward current gain, Super mini package for easy mounting.

For hybrid IC, small type machine low frequency voltage amplify application.

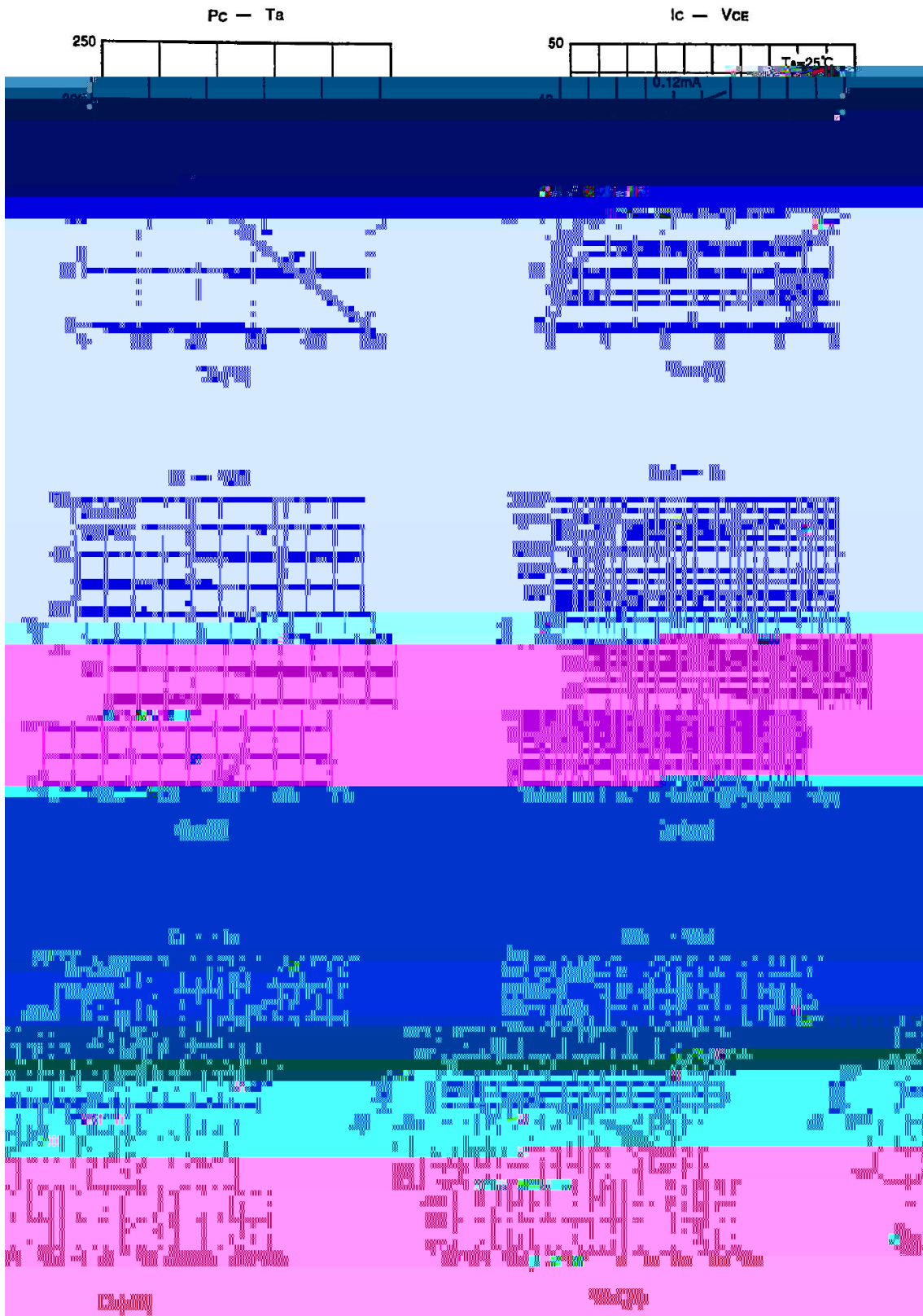


PIN1 Emitter PIN 2 Base PIN 3 Collector

h_{FE} Classifications Symbol	Q	R	S	T
h_{FE} Range	120~270	180~390	270~560	390~820
Marking	HQH	HRH	HHS	HHT

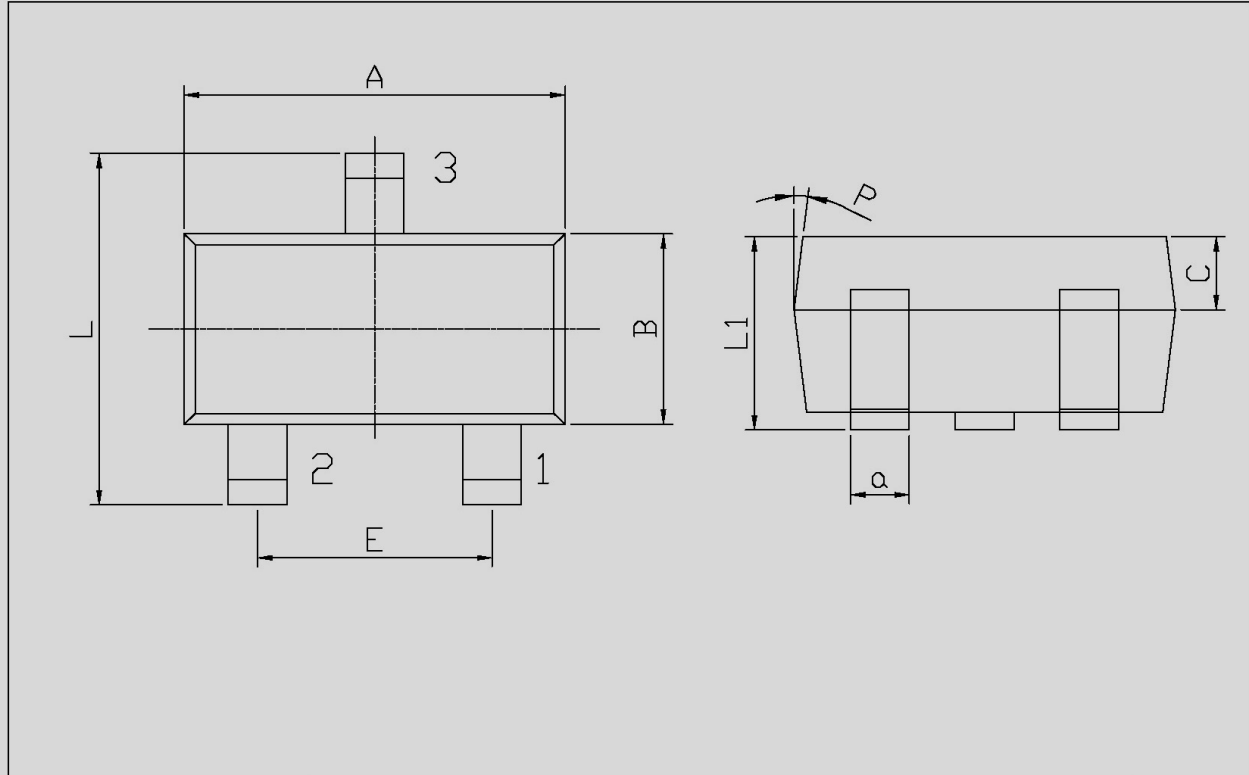
Parameter	Symbol	Rating	Unit
Collector to Base Voltage	V_{CBO}	50	V
Collector to Emitter Voltage	V_{CEO}	50	V
Emitter to Base Voltage	V_{EBO}	6	V
Collector Current - Continuous	I_C	2SC4155	0.1
		2SC4155A	0.2
Collector Power Dissipation	P_C	150	mW
Junction Temperature	T_j	125	°C
Storage Temperature Range	T_{stg}	-55~150	°C

Parameter	Symbol	Test Conditions	Min	Typ	Max	Unit
Collector to Base Breakdown Voltage	V_{CBO}	$I_C=0.1mA$ $R_{BE}=\infty$	50			V
Collector Cut-Off Current	I_{CBO}	$V_{CB}=50V$ $I_E=0$			0.5	μA
					0.1	
Emitter Base Cut-Off Current	I_{EBO}	$V_{EB}=4V$ $I_C=0$			0.1	μA A

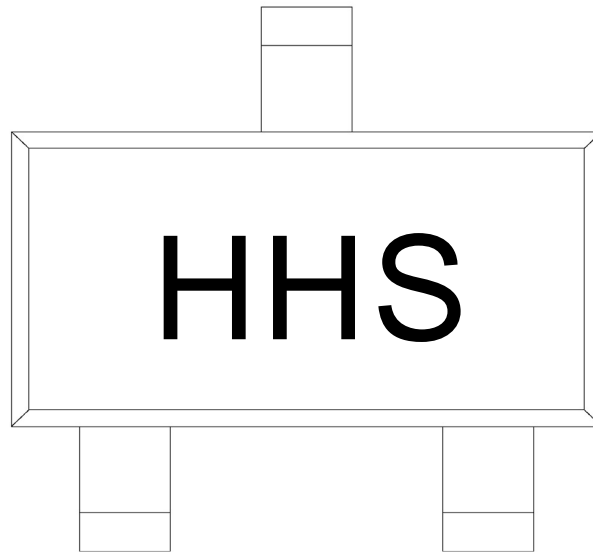


SOT-323

单位: mm



Dimensions In Millimeters			Dimensions In Millimeters		
Symbol	Min	Max	Symbol	Min	Max
A	1.95	2.35	C	0.30	0.50
L	2.00	2.2	L1	0.85	1.15
E	1.20	1.40	a	0.20	0.40
R ₁	1.15	1.35	p	7°	



H

H

S

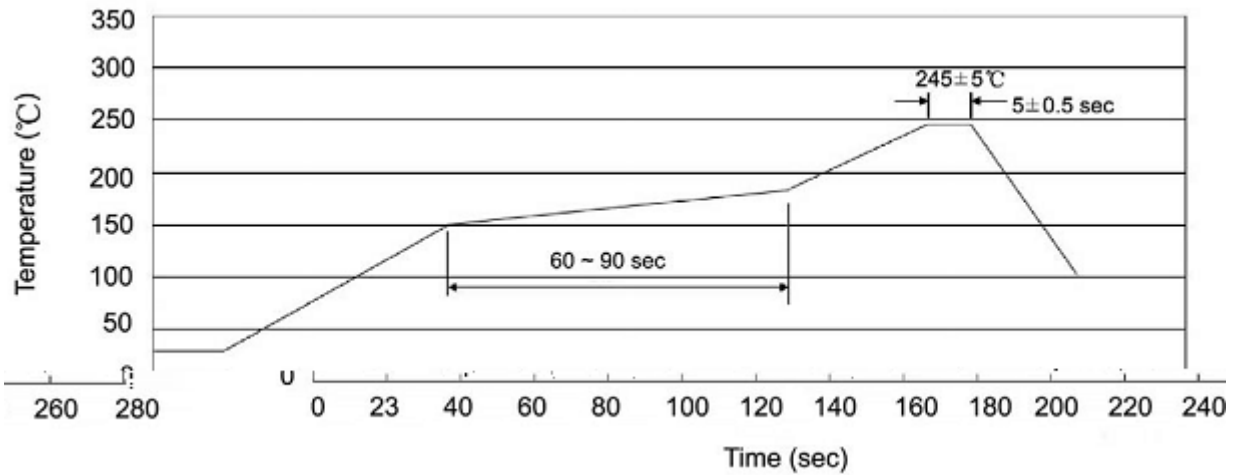
h_{FE}

Note:

H: Company Code.

H: Product Type.

S: h_{FE} Classifications Symbol

Temperature Profile for IR Reflow Soldering (Pb-Free)

Note:

- | | | | | | |
|---|-------|-----|-------|----------|---|
| 1 | 25 | 150 | 60 | 90sec; | 1.Preheating:25~150 , Time:60~90sec. |
| 2 | 245±5 | | 5±0.5 | sec; | 2.Peak Temp.:245±5 , Duration:5±0.5sec. |
| 3 | | | 2 | 10 /sec. | 3. Cooling Speed: 2~10 /sec. |

260±5

10±1 sec.

Temp.:260±5°C

Time:10±1 sec

/ REEL

Package Type 封装形式	Units 包装数量					Dimension 包装尺寸 (unit: mm ³)		
	Units/Reel 只/卷盘	Reels/Inner Box 卷盘/盒	Units/Inner Box 只/盒	Inner Boxes/Outer Box 盒/箱	Units/Outer Box 只/箱	Reel	Inner Box 盒	Outer Box 箱
SOT-323	3,000	10	30,000	8	240,000	7" ×8	180×120×180	385×257×392