

/ Descriptions

TO-3P NPN Silicon NPN transistor in a TO-3P Plastic Package.

/ Features

60W 2SB817
For 60W audio frequency amplifier output stage, Complementary to 2SB817.

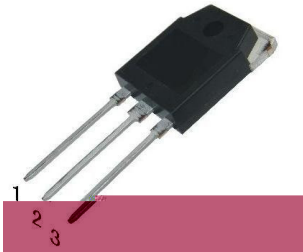
/ Applications

Designed for use in audio frequency amplifier.

/ Equivalent Circuit



/ Pinning

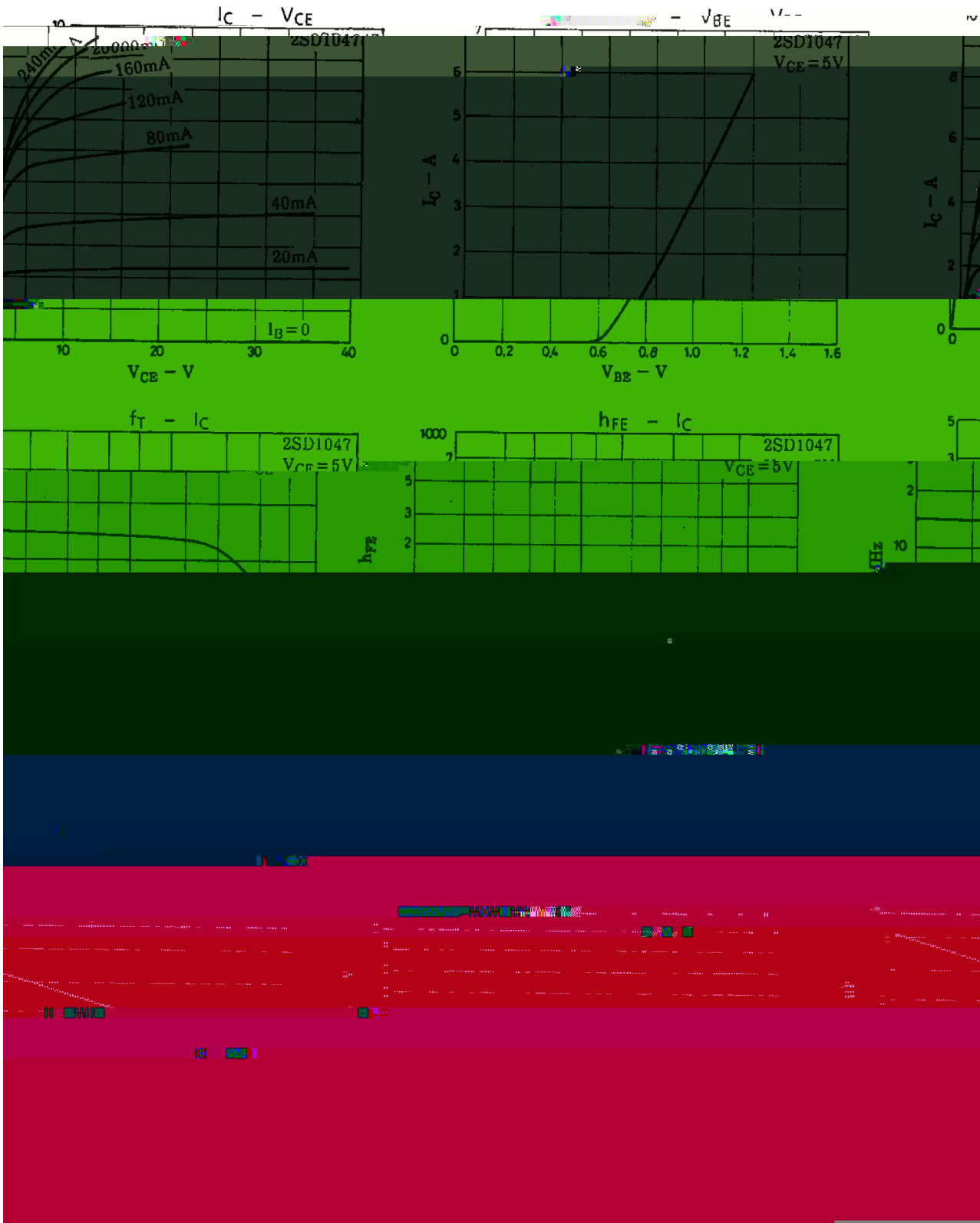


PIN1 Base PIN 2 Collector PIN 3 Emitter

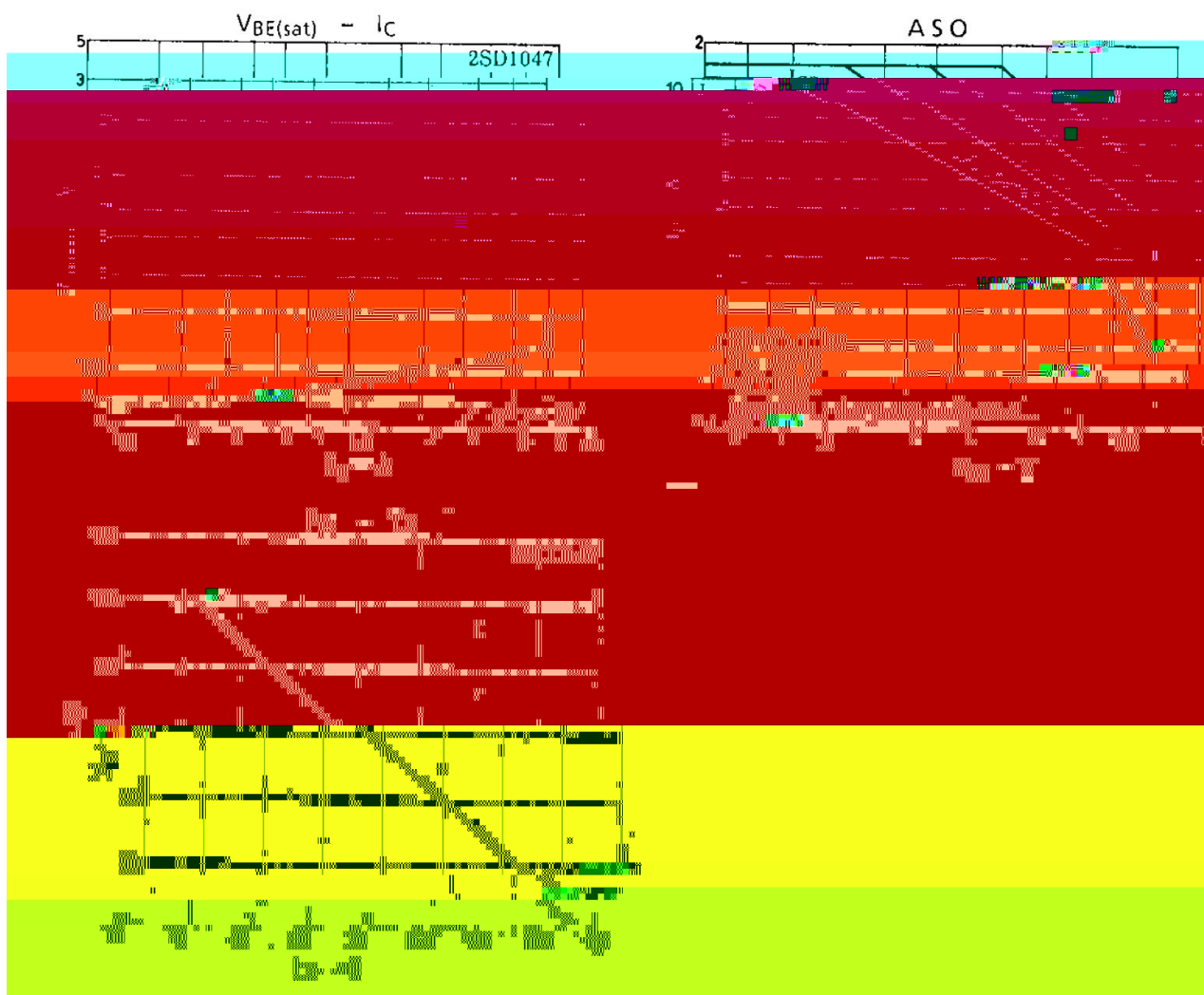
/ h_{FE} Classifications & Marking

h _{FE} Range	80~160
-----------------------	--------

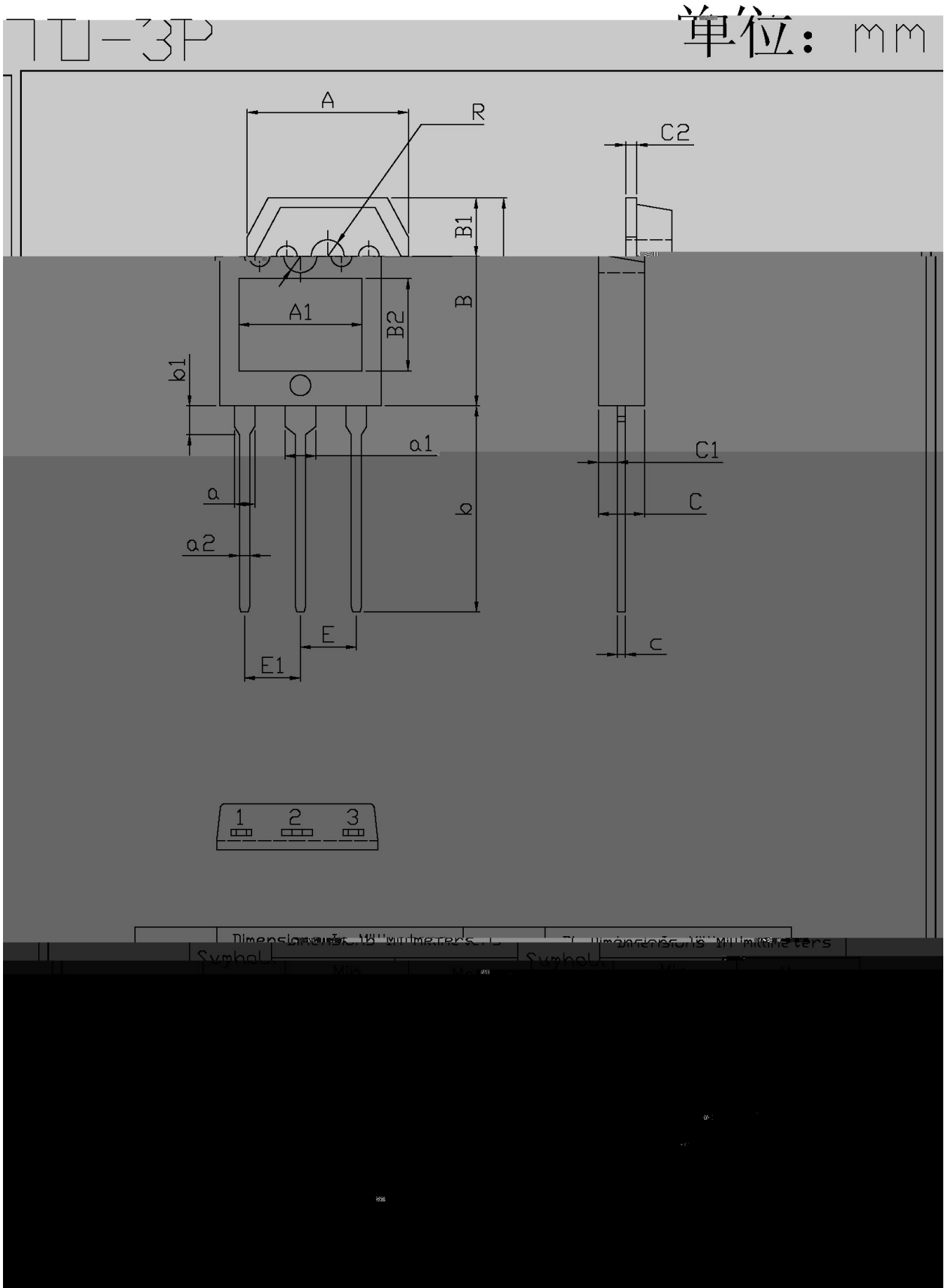
/ Electrical Characteristic Curve



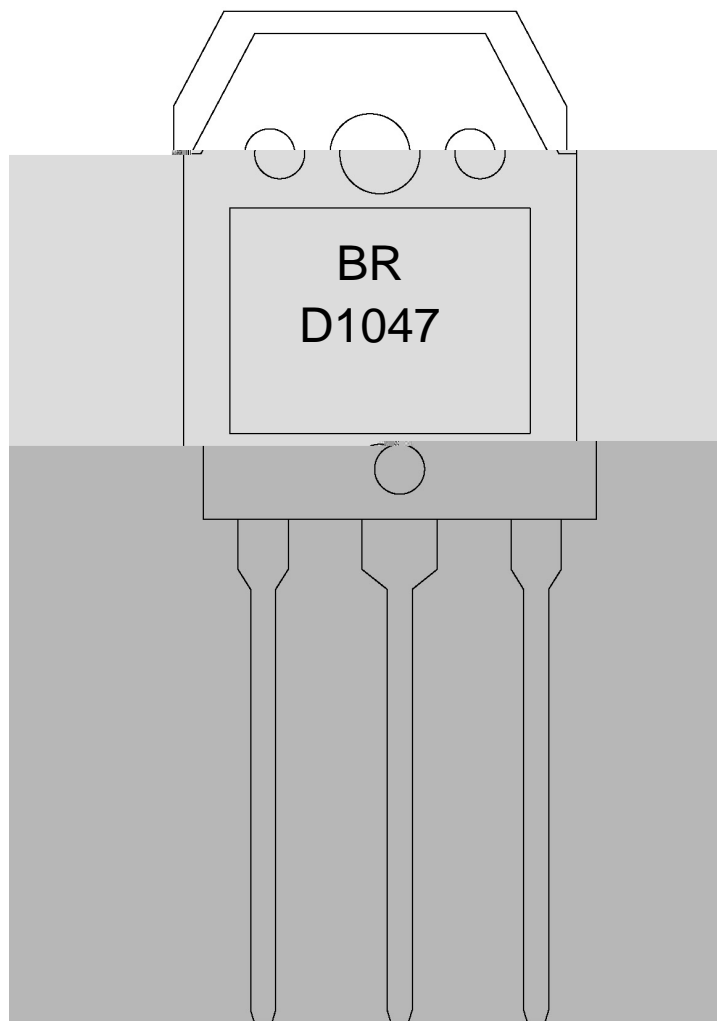
/ Electrical Characteristic Curve



/ Package Dimensions



/ Marking Instructions



BR

D1047

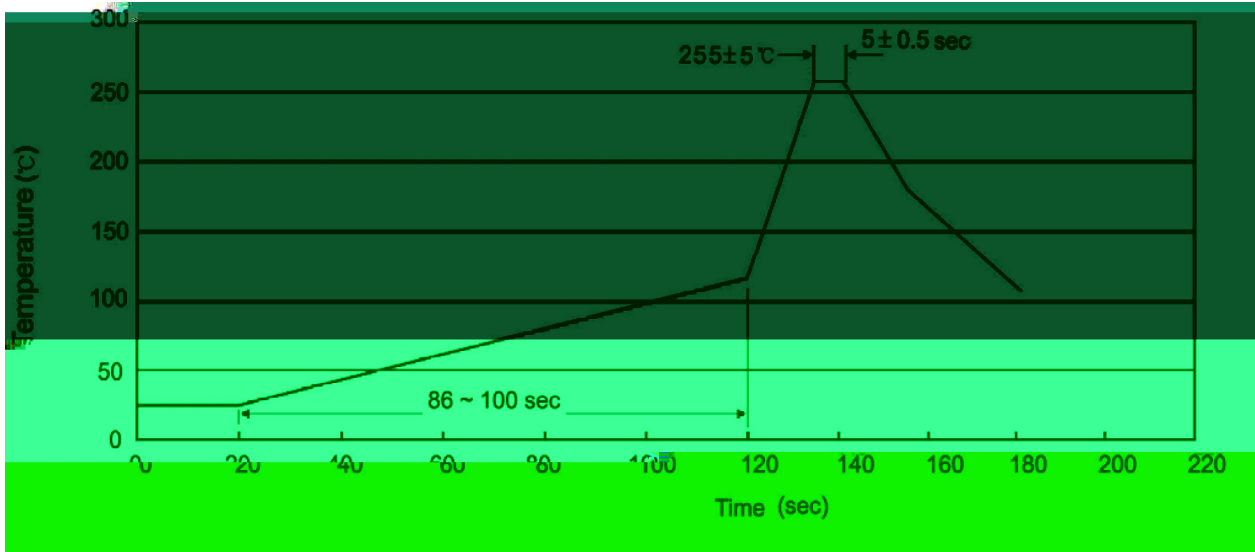
Note:

BR: Company Code.

D1047: Product Type.

****: Lot No. Code, code change with Lot No.

() / Temperature Profile for Dip Soldering(Pb-Free)



Note:

- | | | | | | |
|---|-------|-----|-----------|--------|---|
| 1 | 25 | 150 | 60 | 90sec; | 1.Preheating:25~150 , Time:60~90sec. |
| 2 | 255±5 | | 5±0.5sec; | | 2.Peak Temp.:255±5 , Duration:5±0.5sec. |
| 3 | | 2 | 10 | /sec. | 3. Cooling Speed: 2~10 /sec. |

/ Resistance to Soldering Heat Test Conditions

270±5 10±1 sec. Temp.:270±5°C Time:10±1 sec

/ Packaging SPEC.

/ TUBE

Package Type	Units					Dimension		(unit mm ³)
								x x

/ Notices