

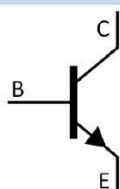
/ Descriptions

TO-220F NPN

/ Features

/ Applications

/ Equivalent Circuit



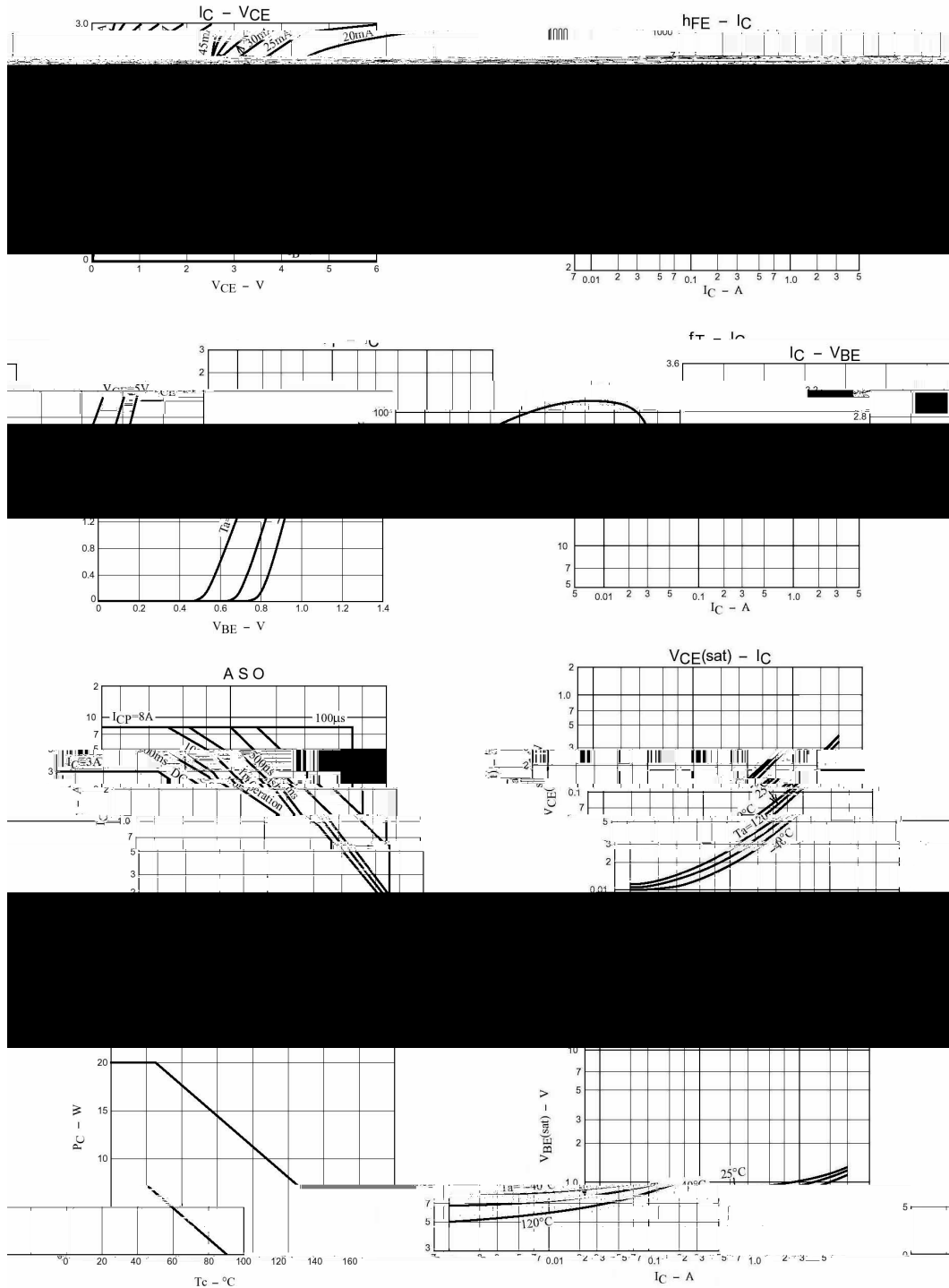
/ Pinning



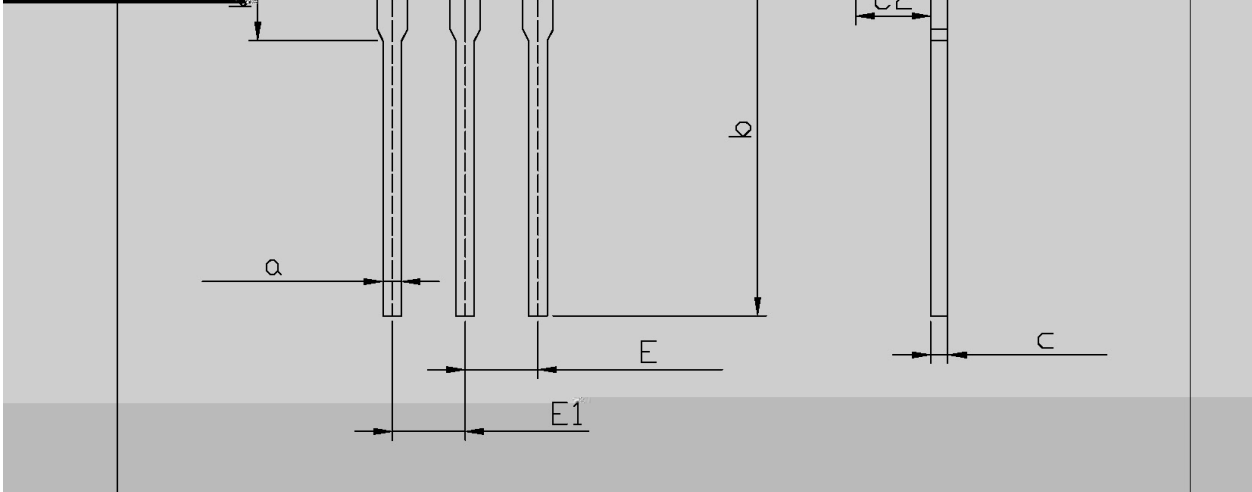
/ h_{FE} Classifications & Marking

	~	~	~

/ Electrical Characteristic Curve

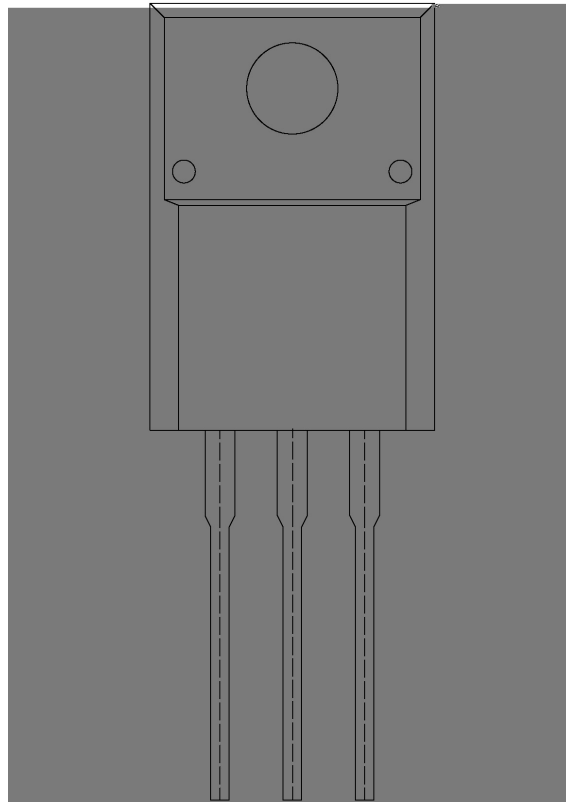


/ Package Dimensions



Symbol	Dimensions In Millimeters		Symbol	Dimensions In Millimeters	
	Min	Max		Min	Max
C	4.3	4.7	b1	2.9	3.9
A	9.7	10.3	a	0.55	0.75
B	14.7	15.3	E	2.29	2.79
B1	3.8	4.0	E1	2.29	2.79
B2	2.9	3.1	C1	2.9	3.9

/ Marking Instructions



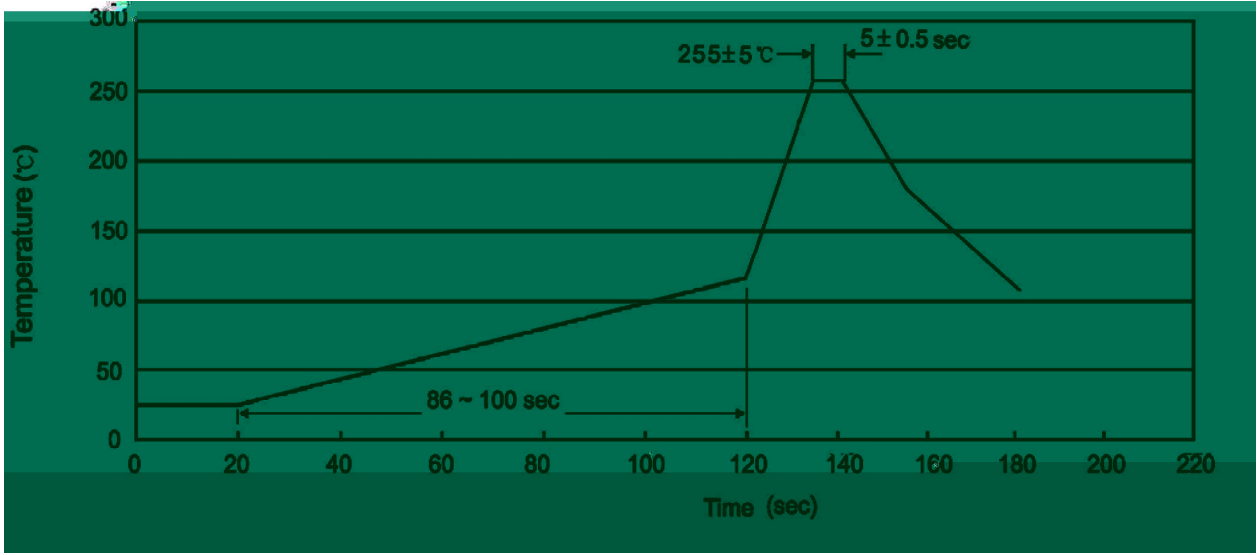
BR

D1913

Q:

h_{FE}

() / Temperature Profile for Dip Soldering(Pb-Free)



± ± ± ±

/ Resistance to Soldering Heat Test Conditions

± ±

/ Packaging SPEC.

/ Notices