

Silicon NPN transistor in a TO-252 Plastic Package.

Excellent h_{FE} linearity, low $V_{CE(sat)}$, complements the 2SB1412.

Strobe flash applications, medium power amplifier applications.

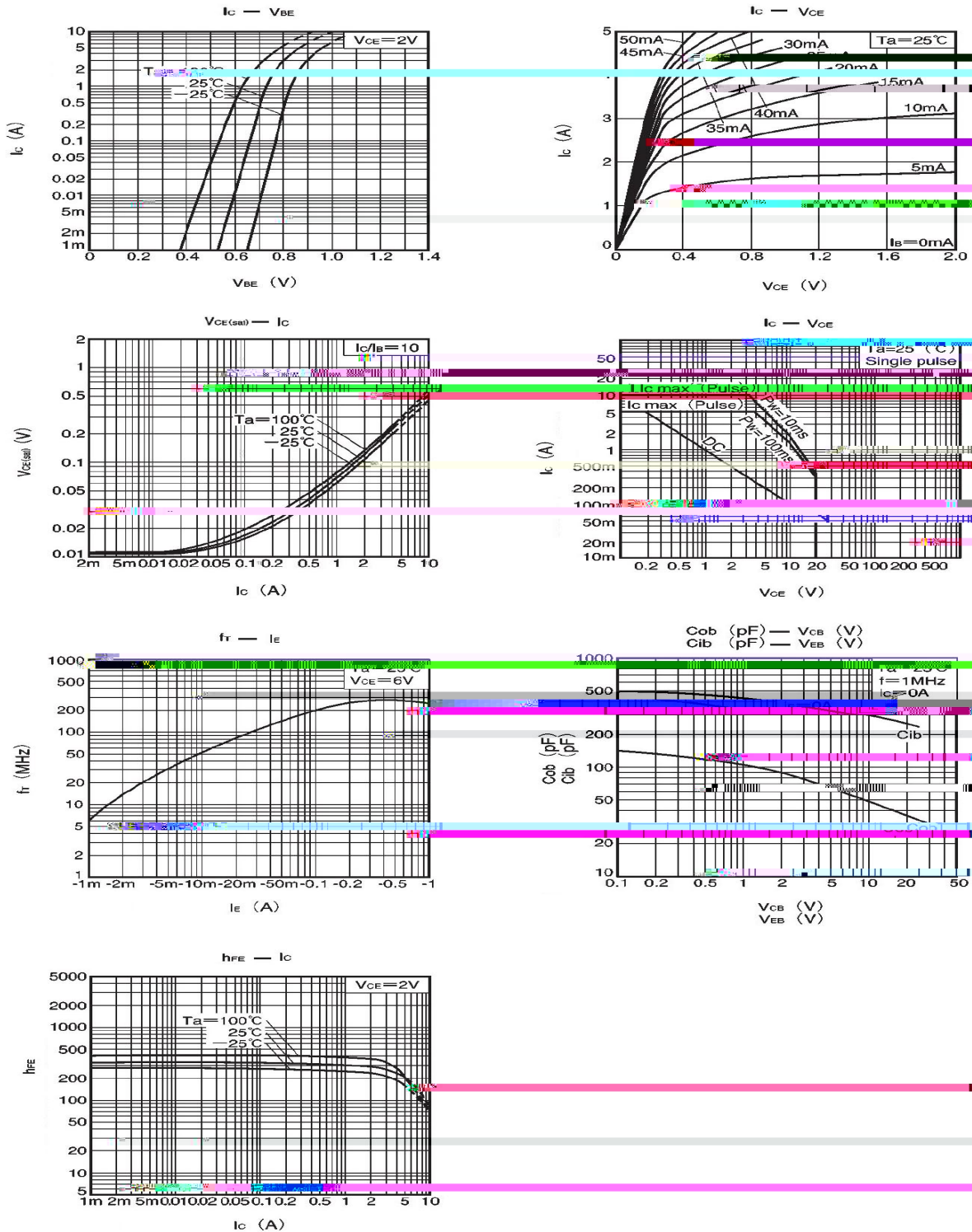


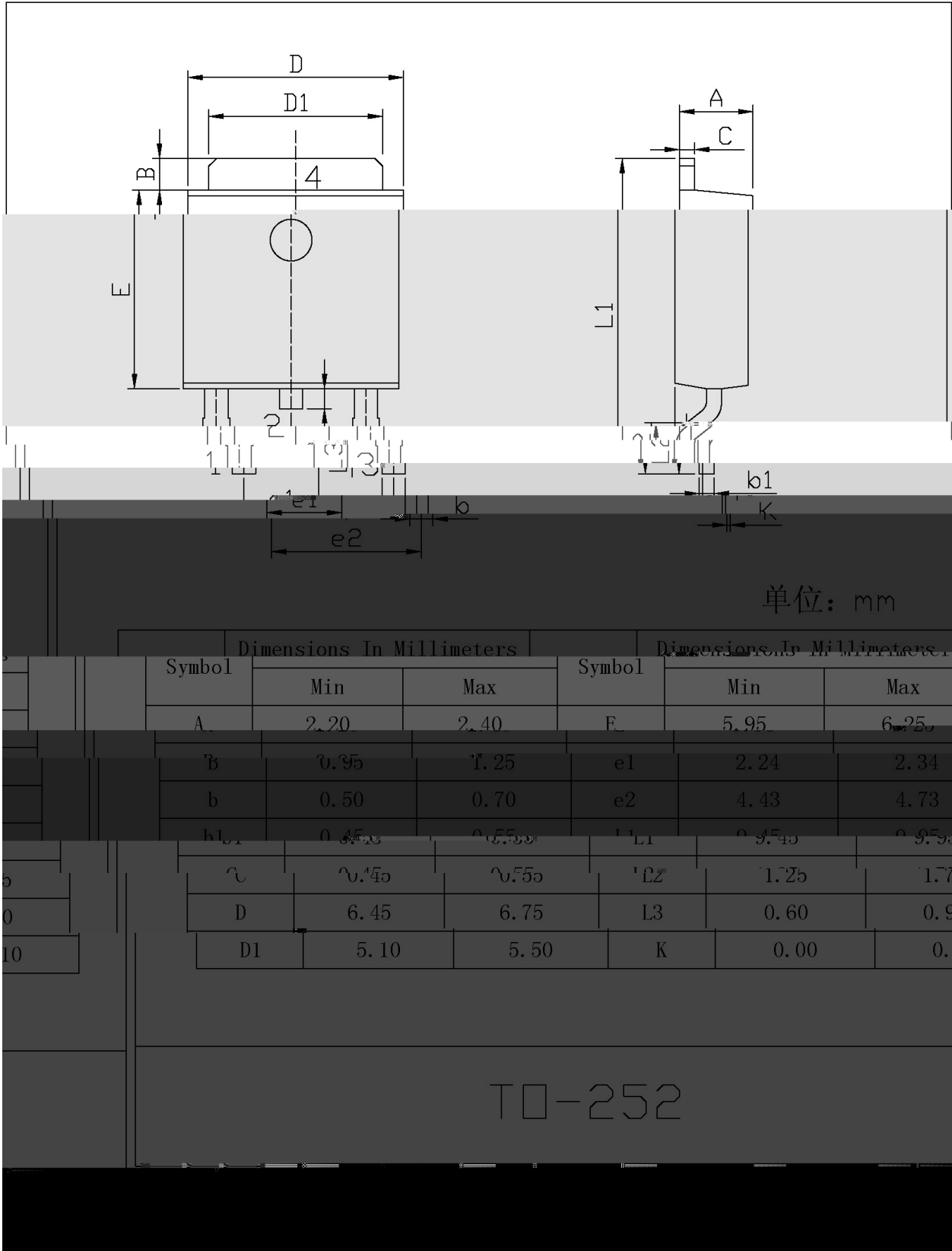
PIN1 Base PIN 2,4 Collector PIN 3 Emitter

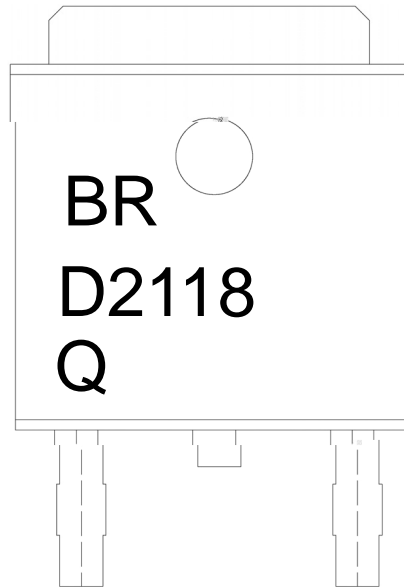
h_{FE} Classifications Symbol	Q	R
h_{FE} Range	120 270	180 390

Parameter	Symbol	Rating	Unit
Collector to Base Voltage	V_{CBO}	50	V
Collector to Emitter Voltage	V_{CEO}	20	V
Emitter to Base Voltage	V_{EBO}	6.0	V
Collector Current - Continuous	I_C	5.0	A
Peak Collector Current – Continuous	I_{CM}	10	mA
Collector Power Dissipation	P_C	1.0	W
Collector Power Dissipation	$P_C(T_C=25^\circ\text{C})$	10	W
Junction Temperature	T_j	150	
Storage Temperature Range	T_{stg}	-55 150	

Parameter	Symbol	Test Conditions	Min	Typ	Max	Unit
Collector to Base Breakdown Voltage	V_{CBO}	$I_C=50\text{ A}$ $I_E=0$	50			V
Collector to Emitter Breakdown Voltage	V_{CEO}	$I_C=1.0\text{mA}$ $I_B=0$	20			V
Emitter to Base Breakdown Voltage	V_{EBO}	$I_E=50\text{ A}$ $I_C=0$	6.0			V
Collector Cut-Off Current	I_{CBO}	$V_{CB}=40\text{V}$ $I_E=0$			0.5	A
Emitter Cut-Off Current	I_{EBO}	$V_{EB}=5.0\text{V}$ $I_C=0$			0.5	A
DC Current Gain	h_{FE}	$V_{CE}=2.0\text{V}$ $I_C=0.5\text{A}$	120		390	
Collector to Emitter Saturation Voltage	$V_{CE(sat)}$	$I_C=4.0\text{A}$ $I_B=0.1\text{A}$		0.25	1.0	V
Transition Frequency	f_T	$V_{CE}=6.0\text{V}$ $I_C=50\text{mA}$ $f=100\text{MHz}$		150		MHz
Collector output capacitance	C_{ob}	$V_{CE}=20\text{V}$ $I_C=0$ $f=1.0\text{MHz}$		30		pF







BR

h_{FE}

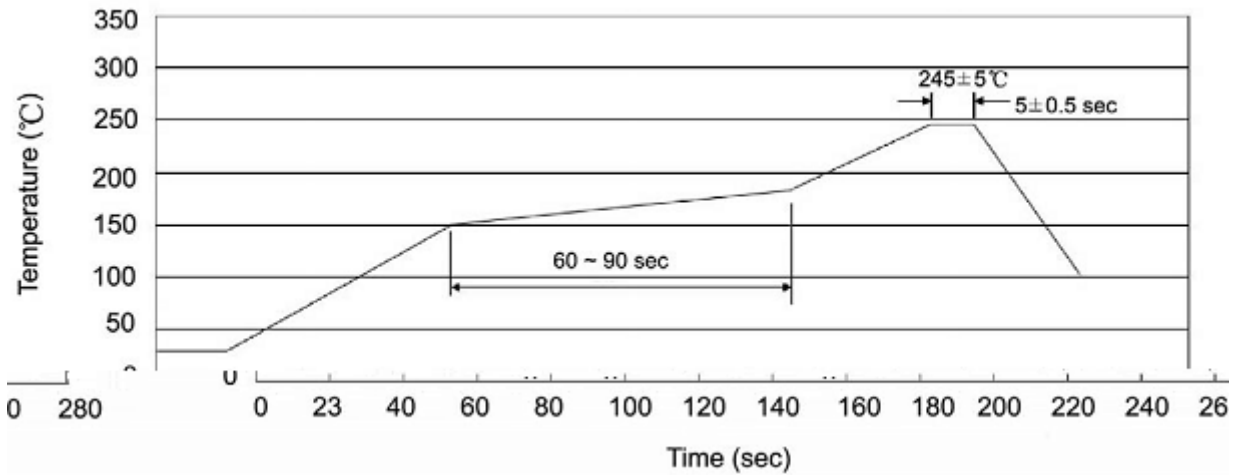
Note:

BR: Company Code

D2118: Product Type.

Q: h_{FE} Classifications Symbol

****: Lot No. Code, code change with Lot No.

Temperature Profile for IR Reflow Soldering(Pb-Free)


Note:

- | | | | | | |
|---|-----|-----|----|----------|---|
| 1 | 25 | 150 | 60 | 90sec; | 1.Preheating:25~150 , Time:60~90sec. |
| 2 | 245 | 5 | 5 | 0.5sec; | 2.Peak Temp.:245 5 , Duration:5 0.5sec. |
| 3 | | | 2 | 10 /sec. | 3. Cooling Speed: 2~10 /sec. |

260	5	10	1 sec.	Temp.:260±5	Time:10±1 sec
-----	---	----	--------	-------------	---------------

/ REEL

Package Type 封装形式	Units 包装数量					Dimension 包装尺寸 (unit: mm ³)		
	只 卷盘	卷盘 盒	只 盒	盒 箱	只 箱	盒	箱	

/ TUBE

Package Type 封装形式	Units 包装数量					Dimension 包装尺寸 (unit: mm ³)		
	只 套管	套管 盒	只 盒	盒 箱	只 箱	套管	盒	箱