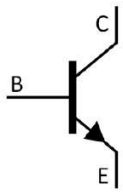


TO-92LM

NPN



	~	~



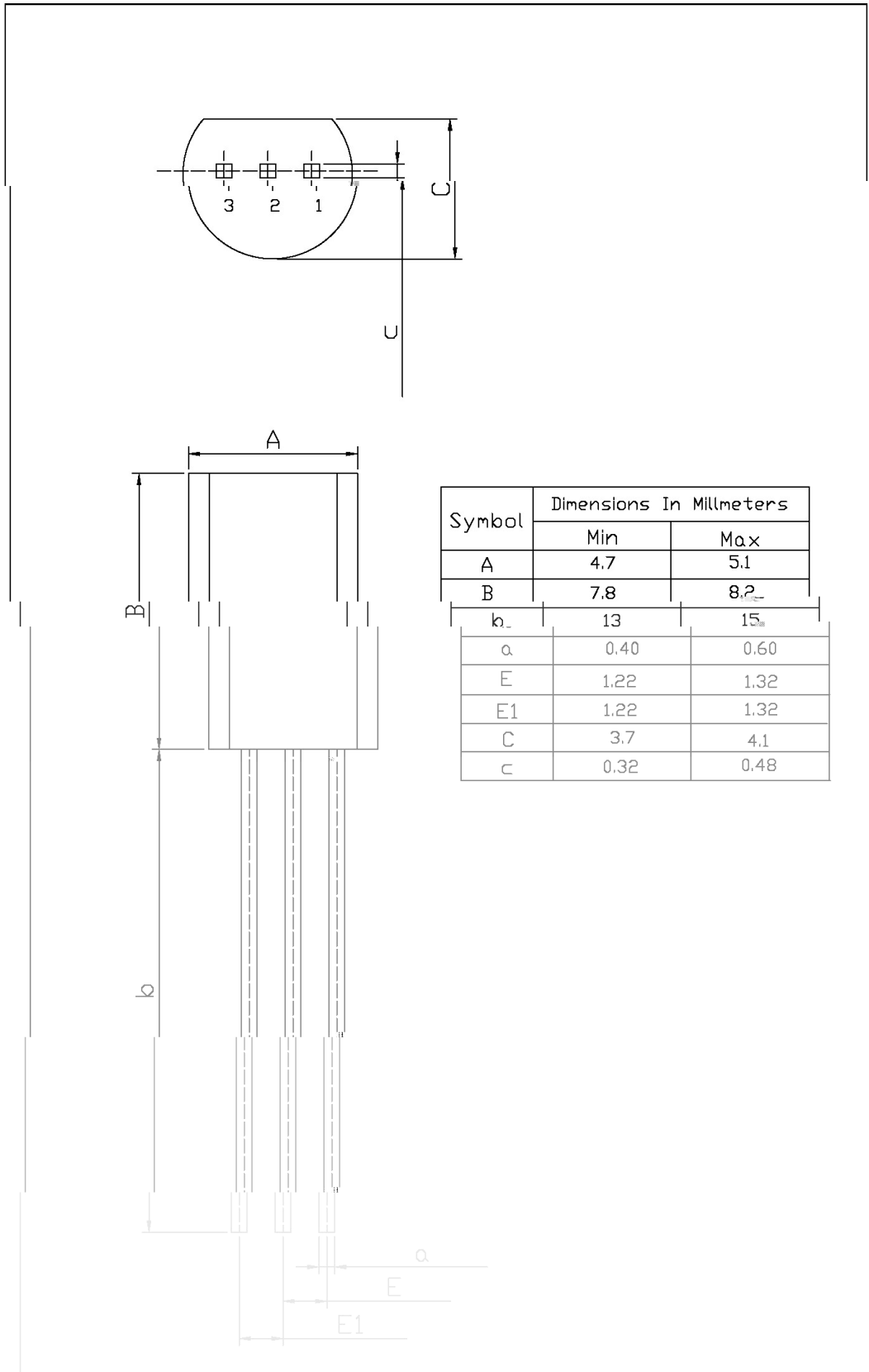
		~	

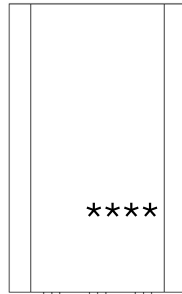


		μ				
		μ				
						μ
						μ

TO-92LM

Unit: mm





BR:

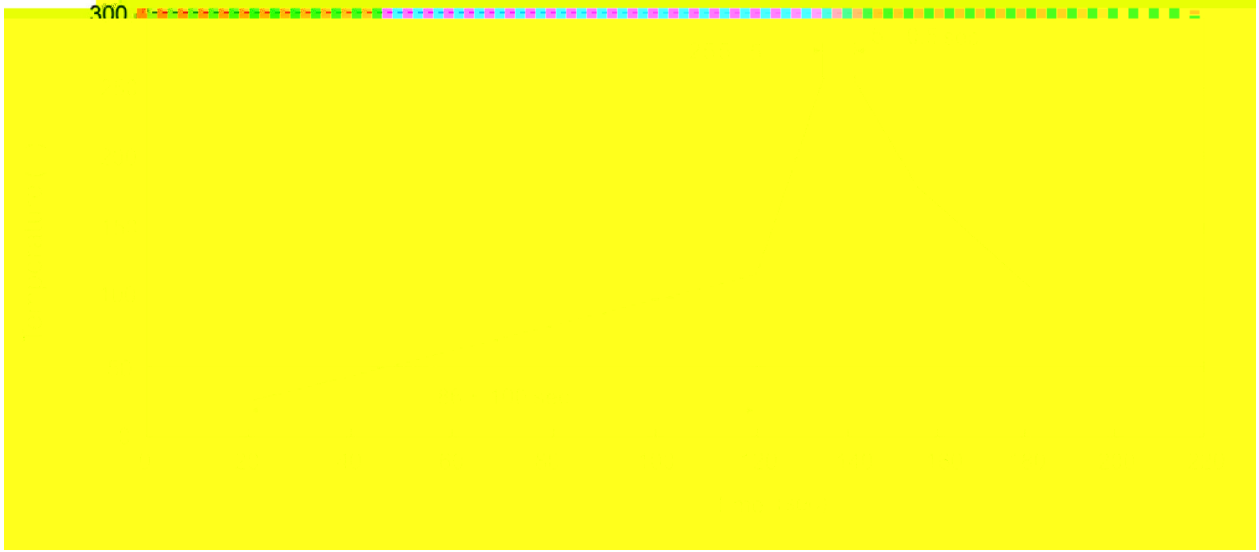
D2159

Q:

$h_{FE}$

\*\*\*\*

300



±

±

±

±

±

±

						Bag	Inner Box	Outer Box
	Units/Bag /	Bags/Inner Box /	Units/Inner Box /	Inner Boxes/Outer Box /	Units/Outer Box /			
TO-92LM	1,000	8	8,000	5	40,000	135×190	237×172×102	560×245×195

						Inner Box	Outer Box
	Units/tape /	Tape/Inner Box /	Rows/Inner Box /	Inner Boxes/Outer Box /	Units/Outer Box /		
TO-92LM	2,500	1	100	10	25,000	328×230×42	480×346×235 547×407×268