

2SD400

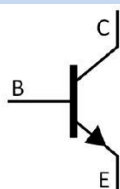
/ Descriptions

TO-92LM NPN

/ Features

/ Applications

/ Equivalent Circuit



/ Pinning

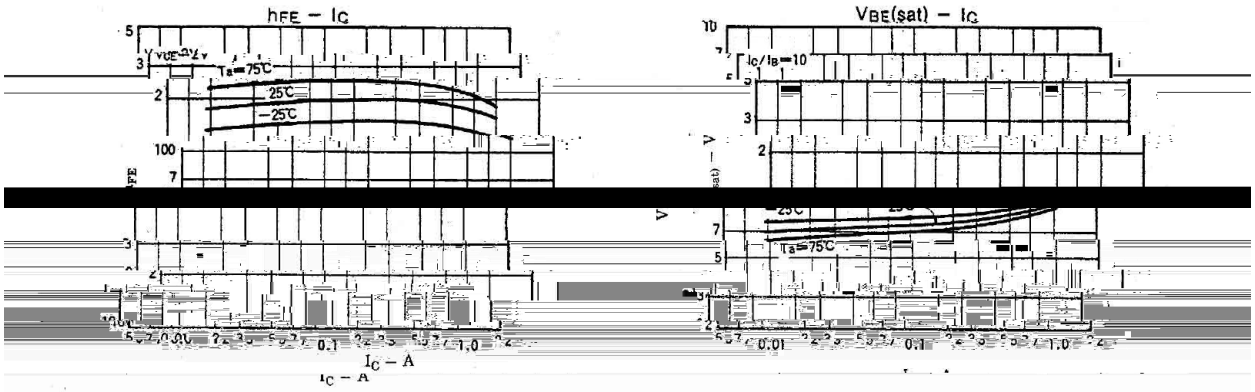
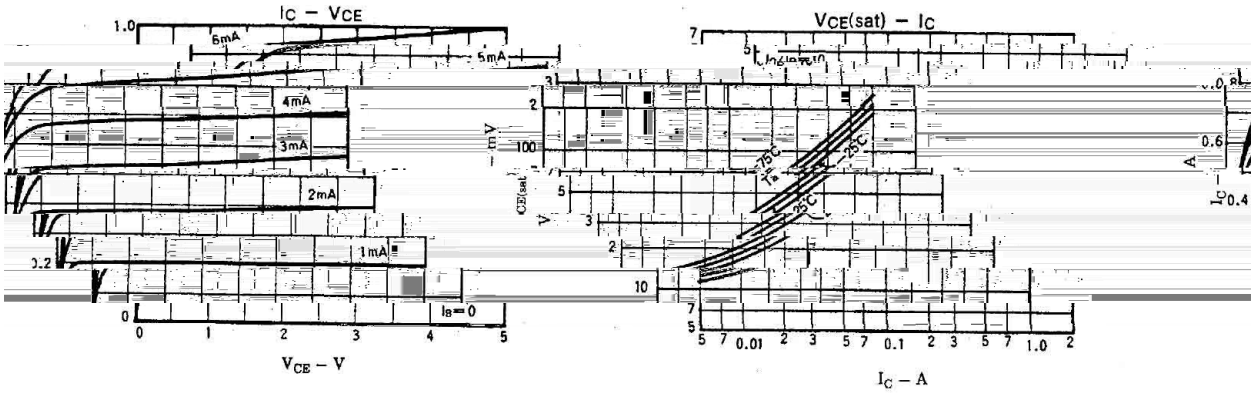


/ h_{FE} Classifications & Marking

/ Absolute Maximum Ratings(Ta=25)

/ Electrical Characteristics(Ta=25)

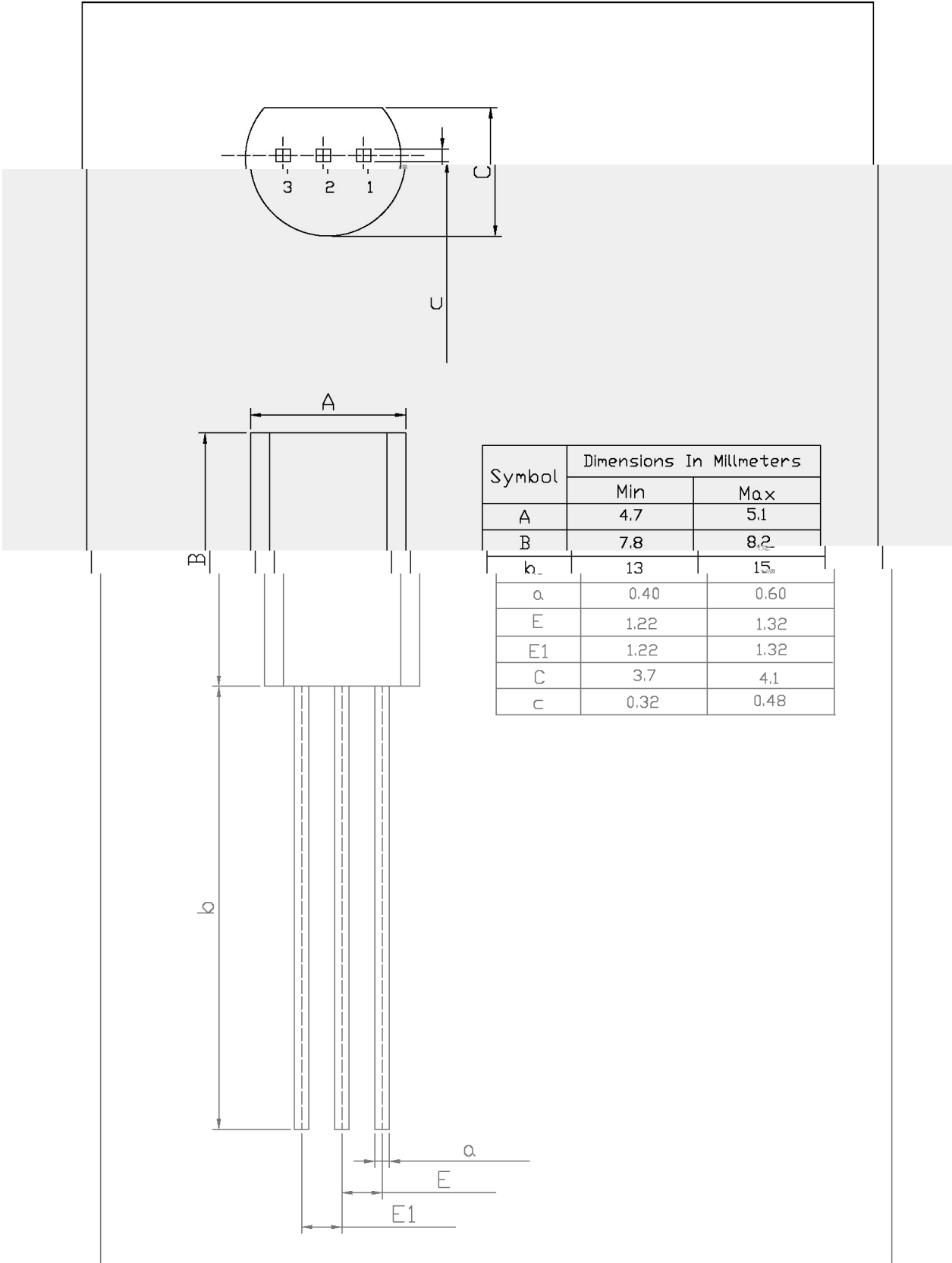
/ Electrical Characteristic Curve



/ Package Dimensions

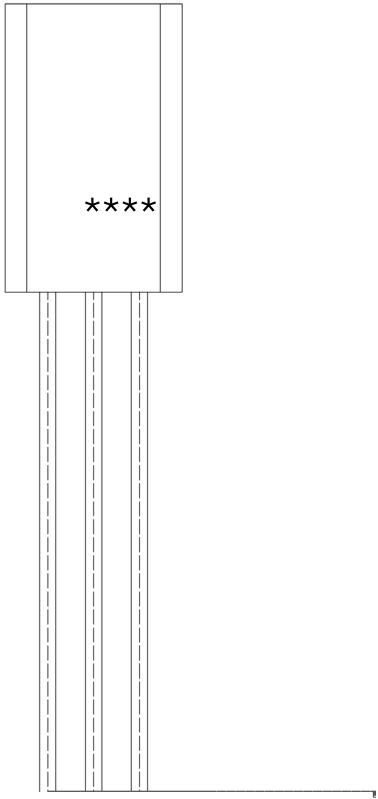
T0-92LM

Unit: mm



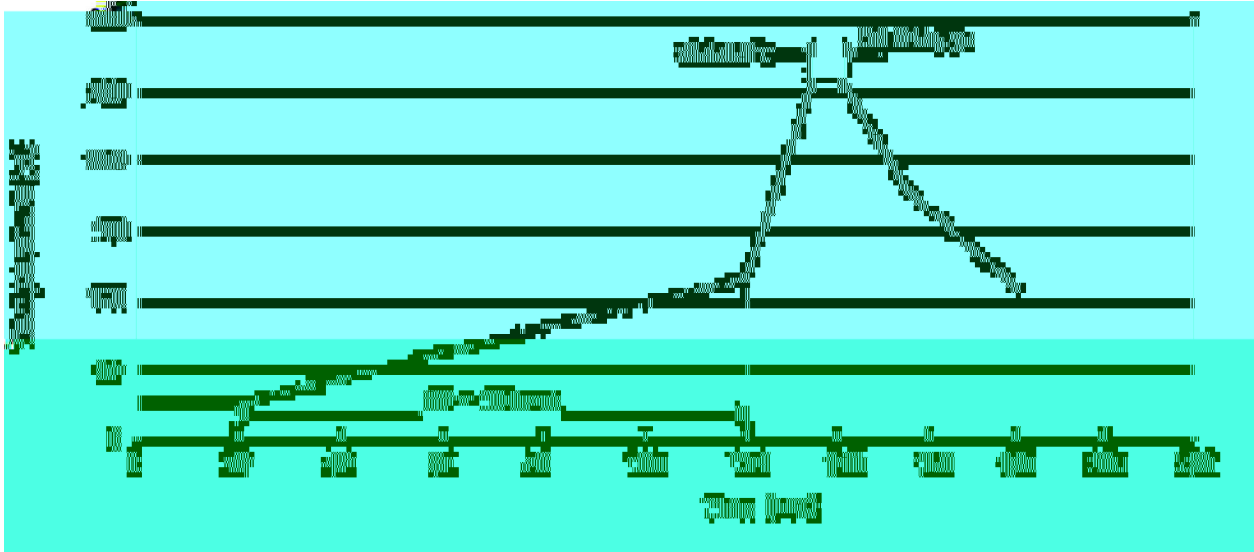
Symbol	Dimensions In Millimeters	
	Min	Max
A	4.7	5.1
B	7.8	8.2
b ₁	13	15 _{±0.2}
a	0.40	0.60
E	1.22	1.32
E1	1.22	1.32
C	3.7	4.1
c	0.32	0.48

/ Marking Instructions



BR:
D400
D: h_{FE}

() / Temperature Profile for Dip Soldering(Pb-Free)



± ± ± ±

/ Resistance to Soldering Heat Test Conditions

± ±

/ Packaging SPEC.

封装形式	包装数量					包装尺寸 :		
	Units/Bag 只/袋	Bags/Inner Box 袋/盒	Units/Inner Box 只/盒	Inner Boxes/Outer Box 盒/箱	Units/Outer Box 只/箱	Bag 袋	Inner Box 盒	Outer Box 箱
TO-92LM	1,000	8	8,000	5	40,000	135×190	237×172×102	560×245×195

封装形式	包装数量					包装尺寸 :	
	Units/tape 只/纸带	Tape/Inner Box 纸带/盒	Rows/Inner Box 纸带层/盒	Inner Boxes/Outer Box 盒/箱	Units/Outer Box 只/箱	Inner Box 盒	Outer Box 箱
TO-92LM	2,500	1	100	10	25,000	328×230×42	小箱 480×346×235 大箱 547×407×268

/ Notices