

2SD669(A)

/ Descriptions

KF β - = E GE

/ Features

) J9- +0 \bar{z}

/ Applications

/ Equivalent Circuit



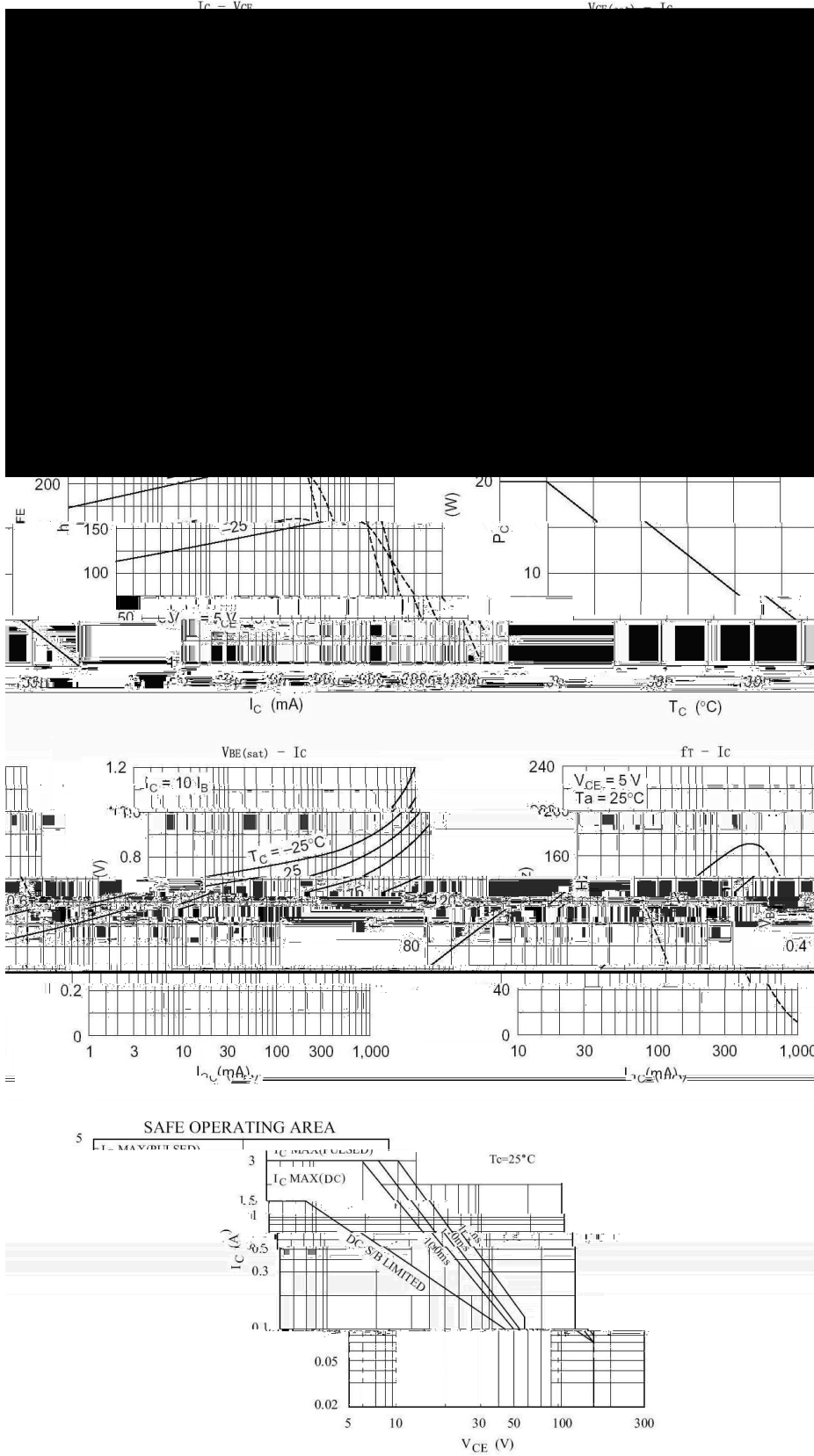
/ Pinning



/ h_{FE} Classifications & Marking

	~	~	~

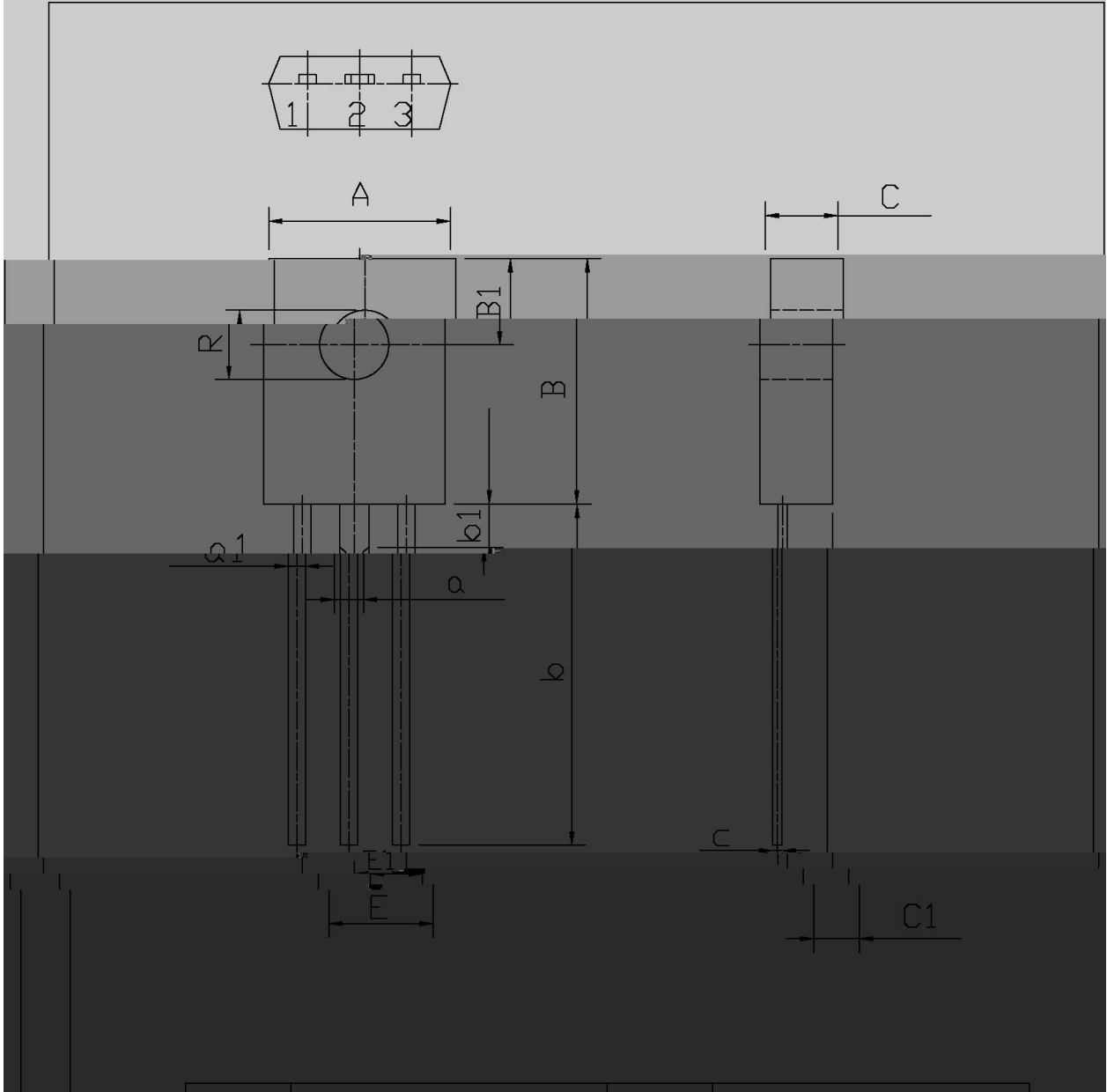
/ Electrical Characteristic Curve



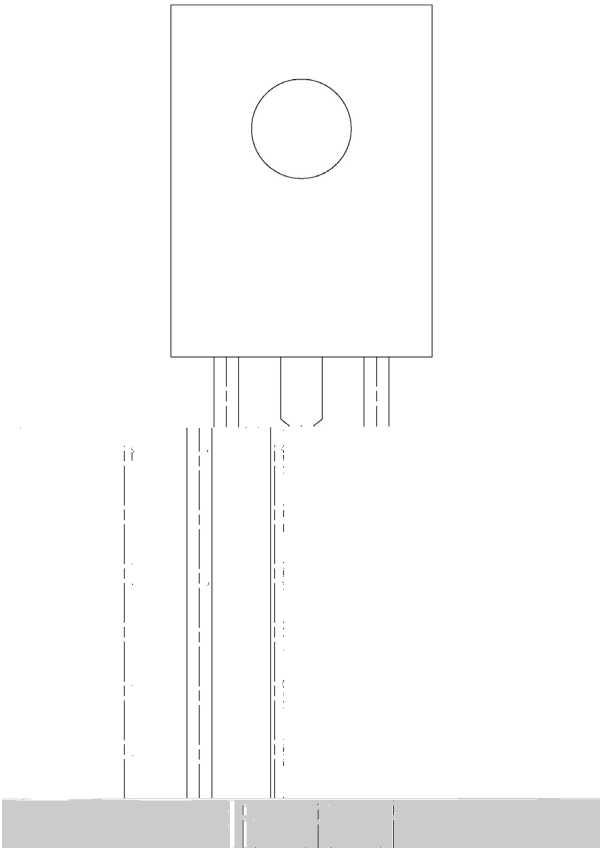
/ Package Dimensions

TU-126F

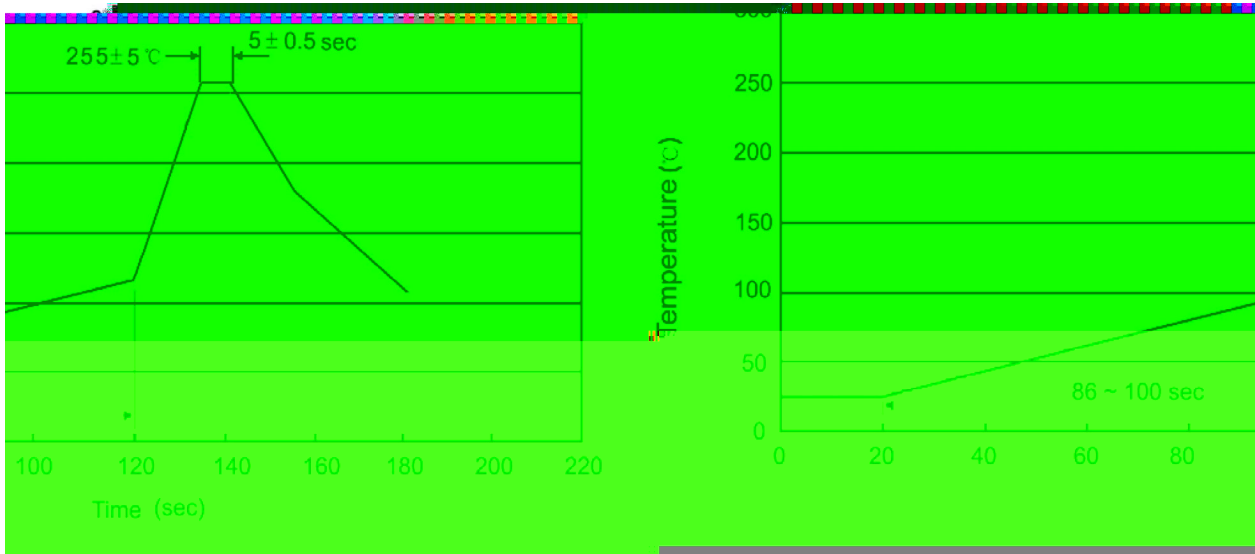
单位: mm



Symbol	Dimensions in Millimeters		Symbol	Dimensions in Millimeters	
	Min	Max		Min	Max
A	7.8	8.2	a1	0.65	0.85
B	10.8	11.2	E	4.4	4.8
B1	3.8	4.2	C	3.1	3.3
R	2.05	3.15	C1	1.9	2.1
b	14	16	c	0.3	0.6
b1	1.9		ρ	1.27	
E1	2.1	2.5			



() / Temperature Profile for Dip Soldering(Pb-Free)



... ..

/ Resistance to Soldering Heat Test Conditions

... ..

/ Packaging SPEC.

	Units/Tube /	Tubes/Inner Box /	Units/Inner Box /	Inner Boxes/Outer Box /	Units/Outer Box /	Tube	Inner Box	Outer Box
TO-126/F	500	6	3,000	5	15,000	135×190	237×172×102	560×245×195

	Units/Tube /	Tubes/Inner Box /	Units/Inner Box /	Inner Boxes/Outer Box /	Units/Outer Box /	Tube	Inner Box	Outer Box
TO-126/F	65	26	1,690	5	8,450	532×31×5.6	555×164×50	575×290×180

/ Notices