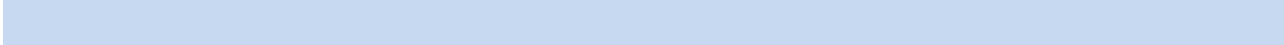
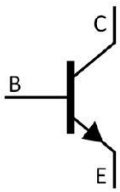


2SD965

TO-92

NPN



/ Absolute Maximum Ratings(Ta=25)

			°C
		~	°C

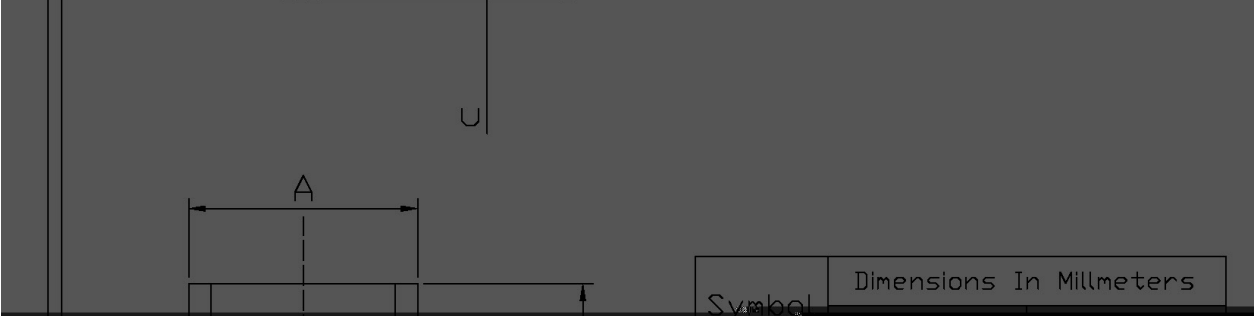
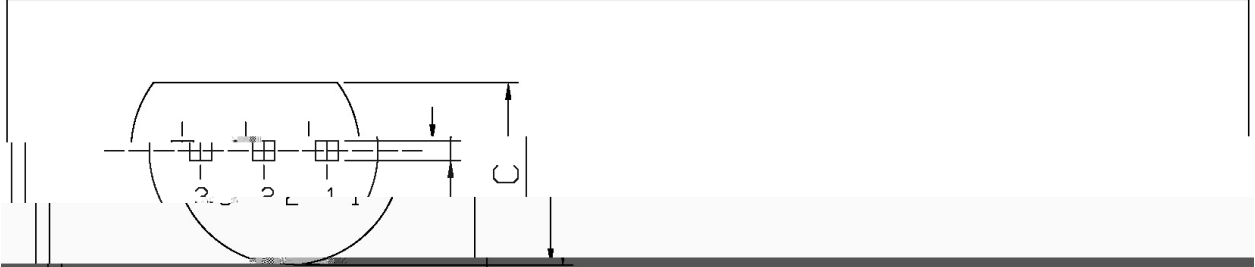
/ Electrical Characteristics(Ta=25)

		μ				
						μ
						μ

/ Package Dimensions

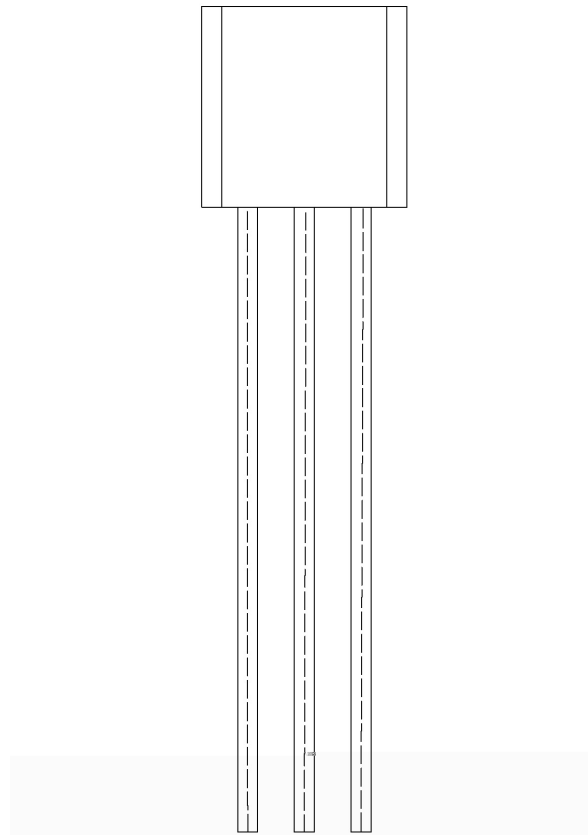
TO-92

Unit: mm



Symbol	Dimensions In Millimeters
--------	---------------------------

/ Marking Instructions



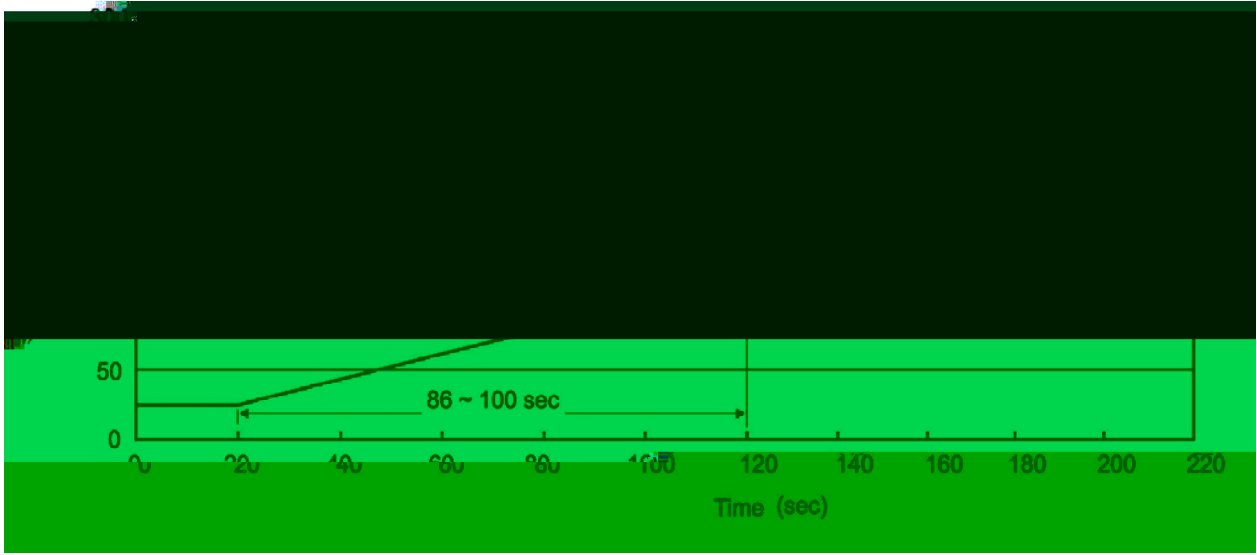
BR:

D965

P:

h_{FE}

() / Temperature Profile for Dip Soldering(Pb-Free)



± ± ± ±

/ Resistance to Soldering Heat Test Conditions

± ± °C

/ Packaging SPEC.

/ Notices