

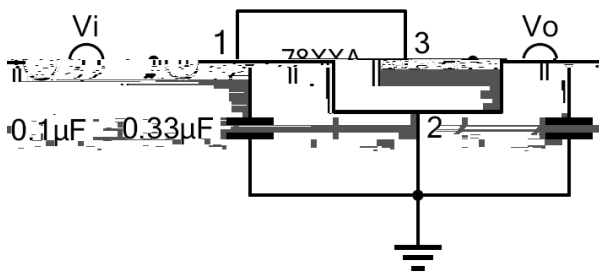
/ Descriptions

/ Features

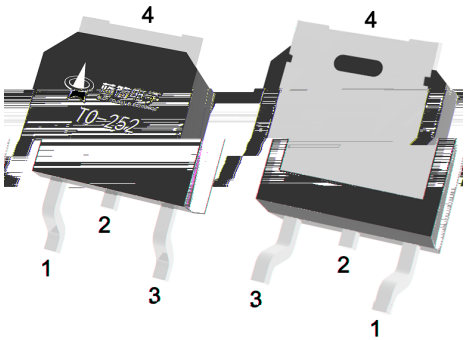
1.0A,

/ Applications

/ / Equivalent Circuit or Application Circuit



/ Pinning



/ Marking

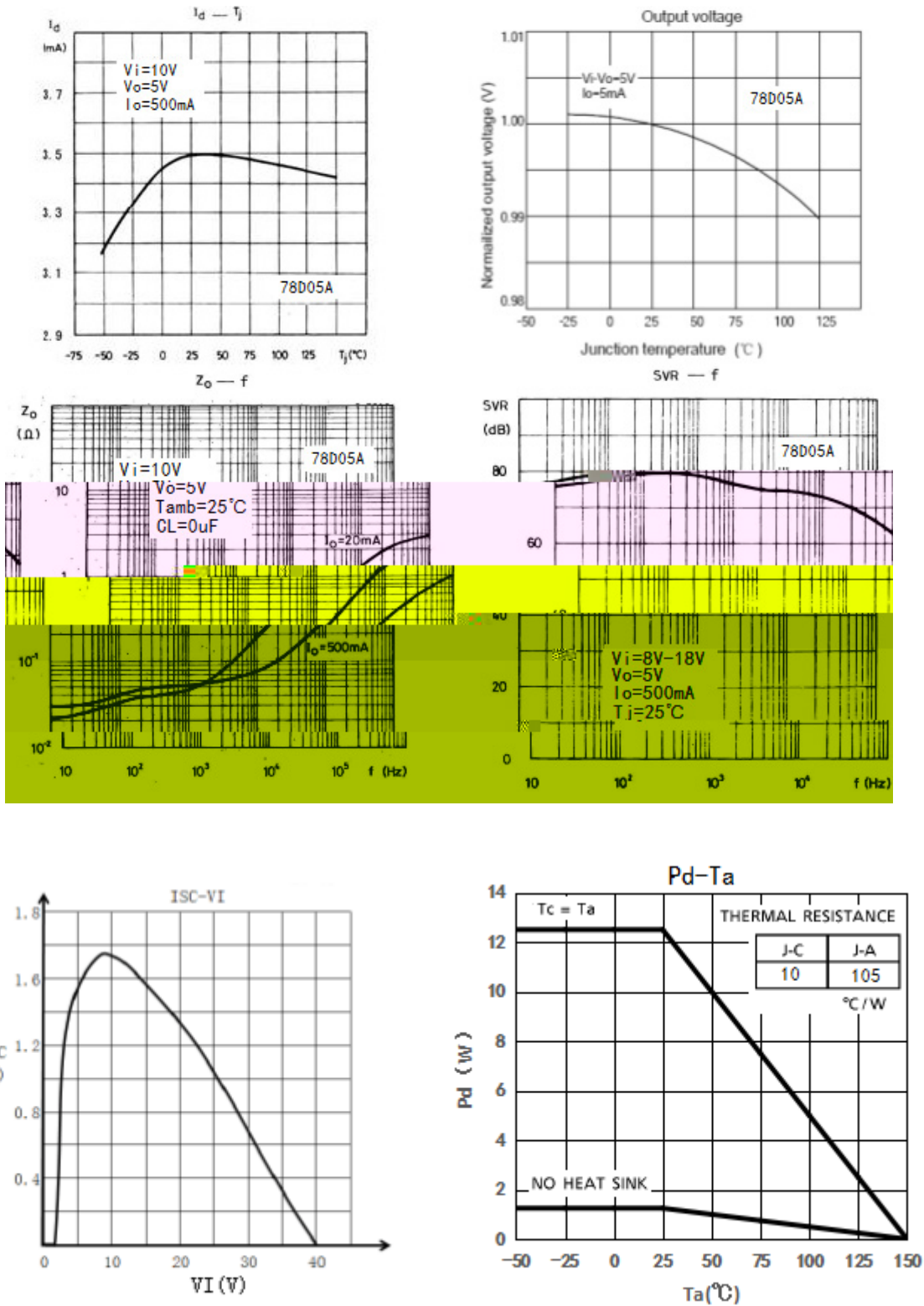
/ Absolute Maximum Ratings(Ta=25)

		~	
		~	

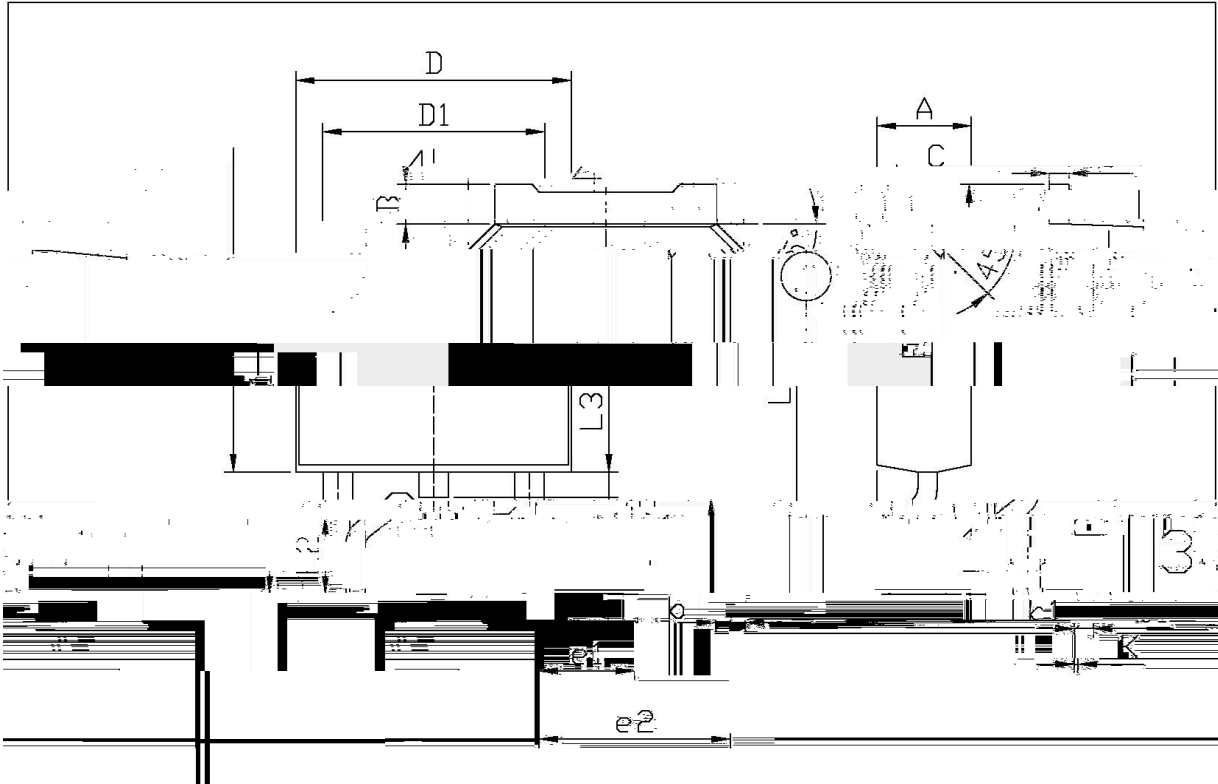
/ Electrical Characteristics(Vi=10V,Io=500mA,Tj=-30 ~125 ,unless otherwise specified)

	Δ	°C				
	Δ					
		°C				
	Δ					
	Δ Δ	°C				
		°C				μ
		°C				
		°C				

/ Electrical Characteristic Curve



/ Package Dimensions

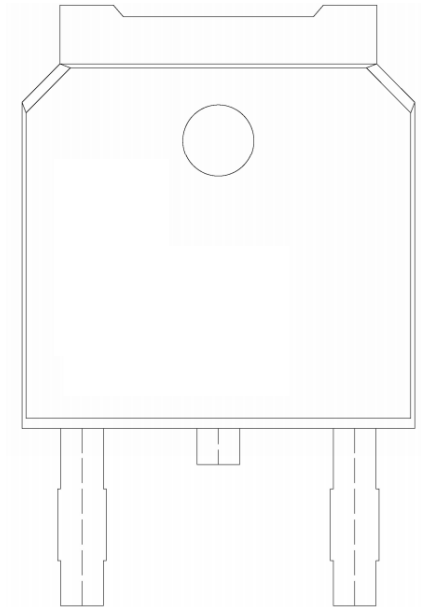


单位: mm

Symbol	Dimensions In Millimeters		Symbol	Dimensions In Millimeters	
	Min	Max.		Min	Max
A	2.20	2.40	e1	0.50	0.60
B	0.95	1.25	e2	0.45	0.55
C	4.73	5.10	L1	0.55	0.70
D	9.85	10.35	L2	1.70	2.00
D1	6.25	6.75	L3	0.75	1.00
L1	0.55	0.70	R	0.25	0.30
L2	1.70	2.00	R1	0.10	0.15
L3	0.75	1.00	R2	0.10	0.15

TO-252

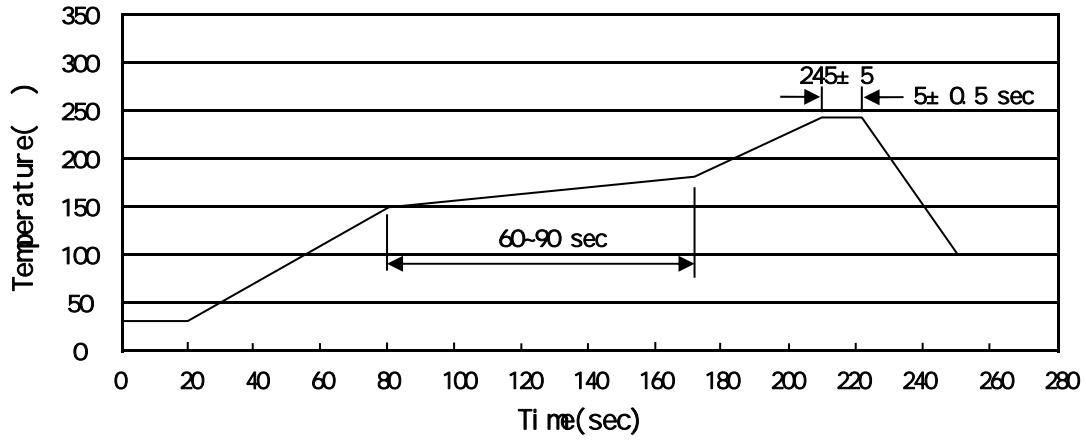
/ Marking Instructions



BR

78D05A

() /



± ± ± ±

/ Resistance to Soldering Heat Test Conditions

± ±

/ Packaging SPEC.

	Units/Reel	Reels/Inner Box	Units/Inner Box	Inner Boxes/Outer Box	Units/Outer Box	Reel	Inner Box	Outer Box
	/	/	/	/	/	"		

	Units/Tube	Tubes/Inner Box	Units/Inner Box	Inner Boxes/Outer Box	Units/Outer Box	Tube	Inner Box	Outer Box
	/	/	/	/	/			

78D05A

/ Notices