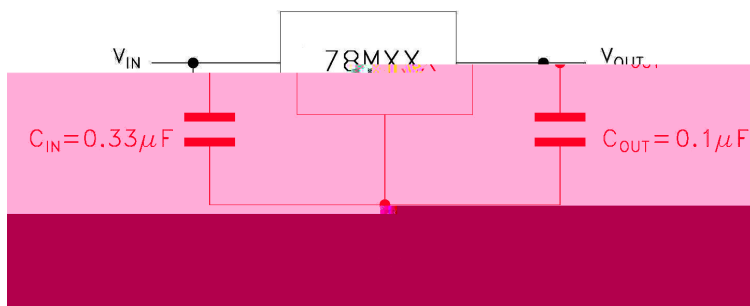


/ Descriptions

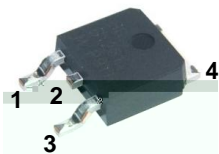
/ Features

/ Applications

/ / Equivalent Circuit or Application Circuit

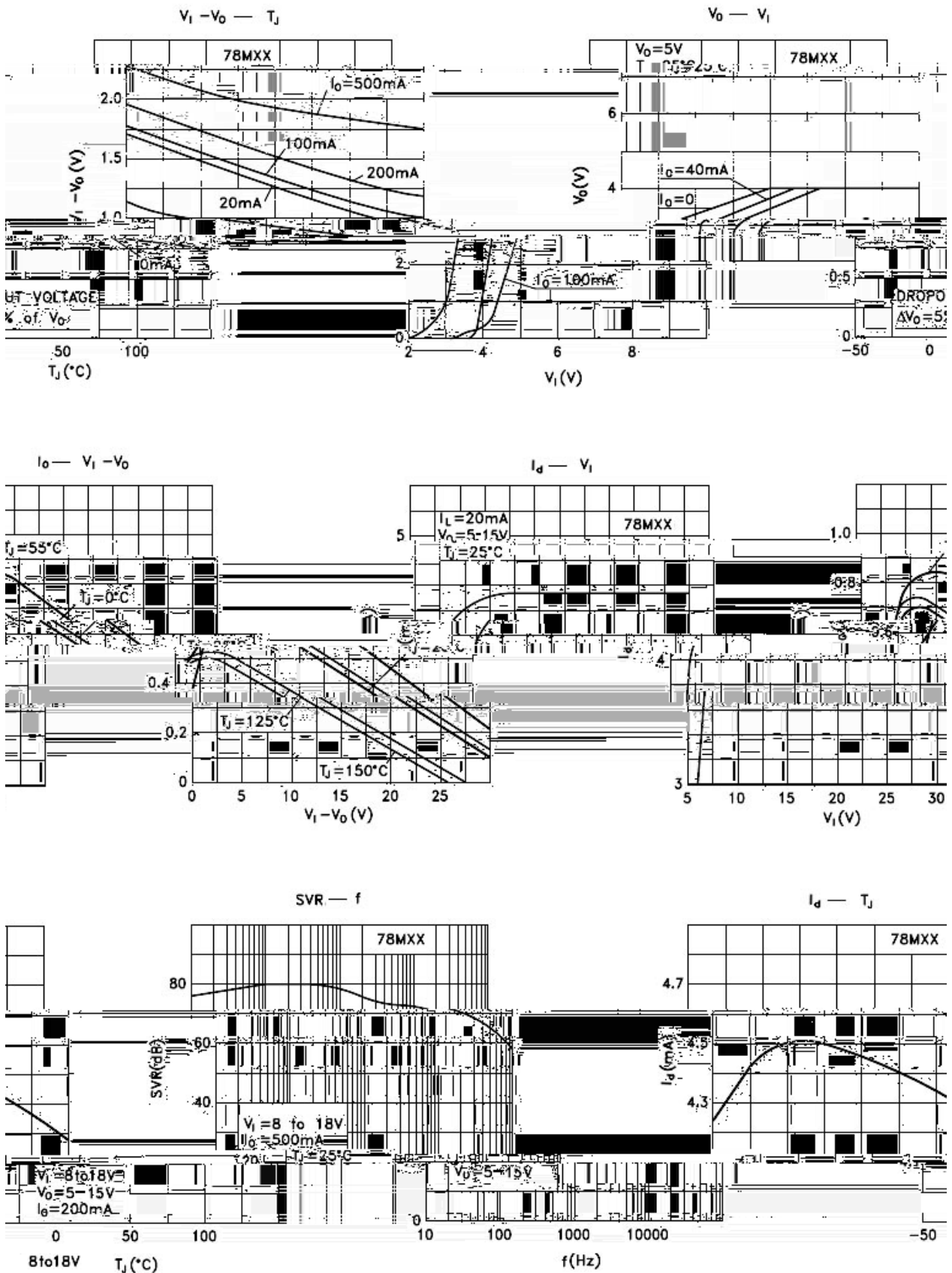


/ Pinning

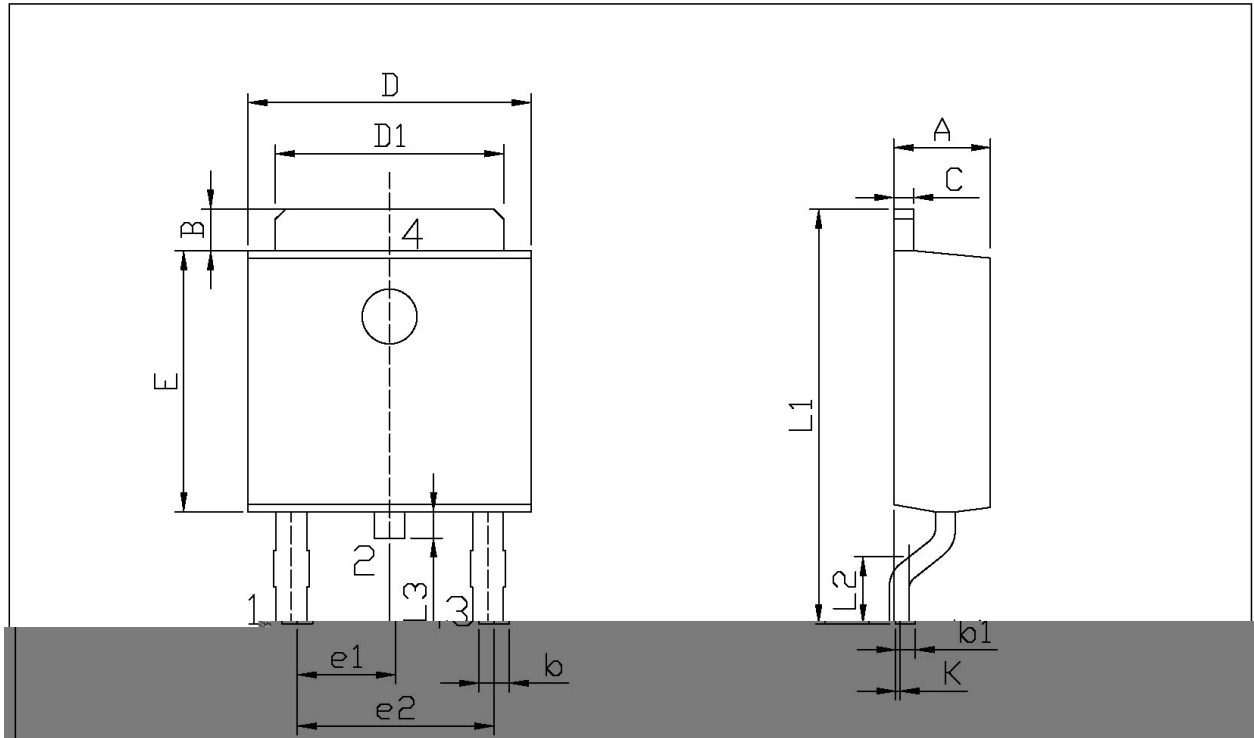


/ Marking

/ Electrical Characteristic Curve



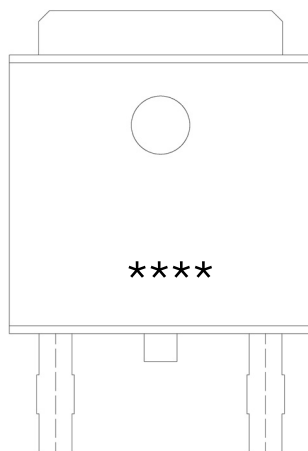
/ Package Dimensions



单位: mm

Symbol	Dimensions In Millimeters		Symbol	Dimensions In Millimeters	
	Min	Max		Min	Max
A	2.20	2.40	E	5.95	6.25
B	0.95	1.25	e1	2.24	2.24

/ Marking Instructions



BR

78M12

78M12