

# BC556

Rev.F Mar.-2016

## / Descriptions

TO-92(R)          PNP          Silicon PNP transistor in a TO-92(R) Plastic Package.

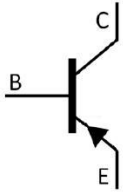
## / Features

, BC546  
High voltage, complementary to BC546.

## / Applications

General purpose and switching application.

## / Equivalent Circuit



## / Pinning



PIN1 Emitter          PIN 2 Base          PIN 3 Collector

## / $h_{FE}$ Classifications & Marking

$h_{FE}$ Classifications Symbol	B
$h_{FE}$ Range	200 450

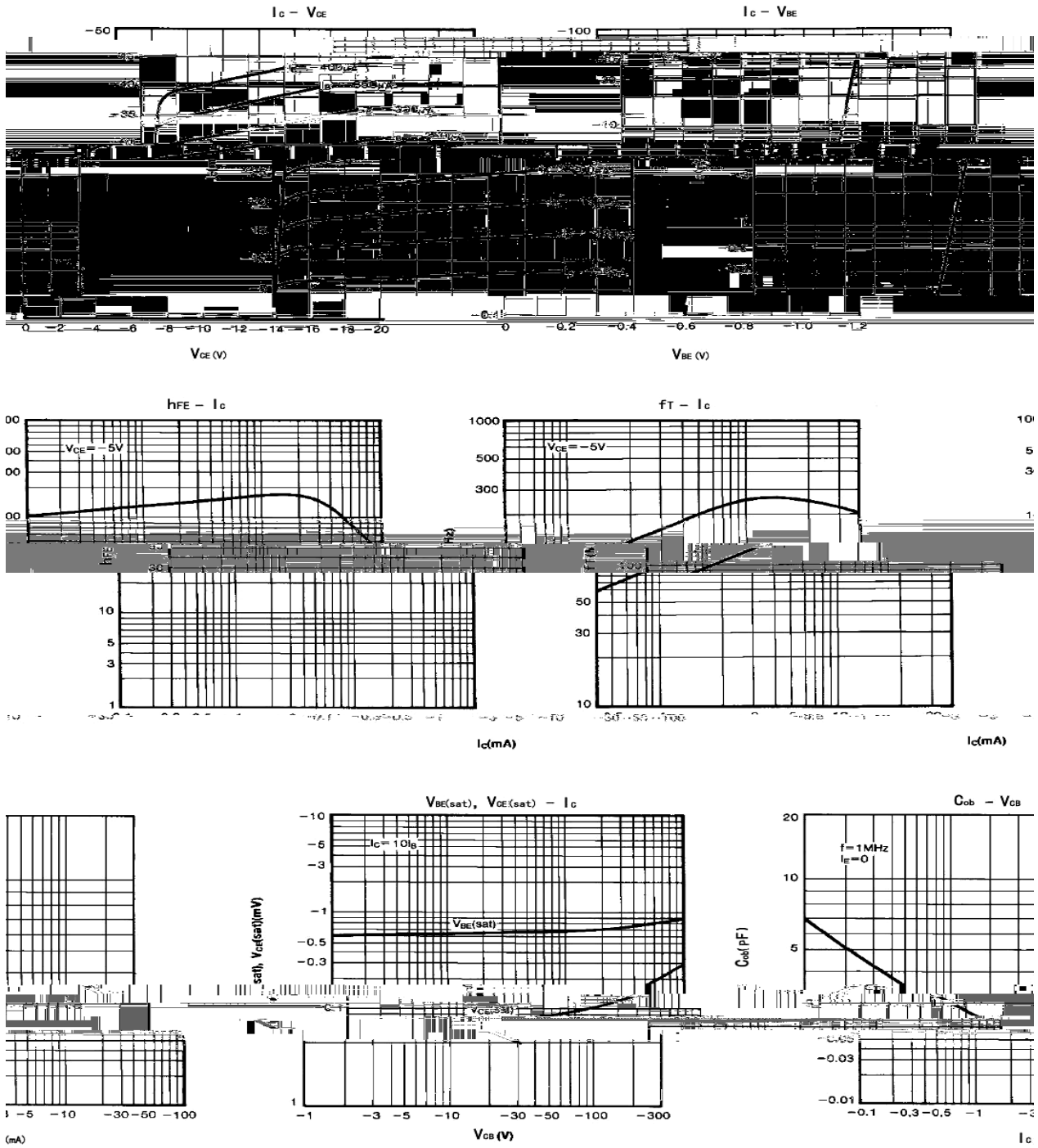
**/ Absolute Maximum Ratings(Ta=25 )**

Parameter	Symbol	Rating	Unit
Collector to Base Voltage	$V_{CBO}$	-80	V
Collector to Emitter Voltage	$V_{CEO}$	-65	V
Emitter to Base Voltage	$V_{EBO}$	-5.0	V
Collector Current - Continuous	$I_C$	-100	mA
Emitter Current - Continuous	$I_E$	100	mA
Collector Power Dissipation	$P_C$	625	mW
Junction Temperature	$T_j$	150	°C
Storage Temperature Range	$T_{stg}$	-55 150	°C

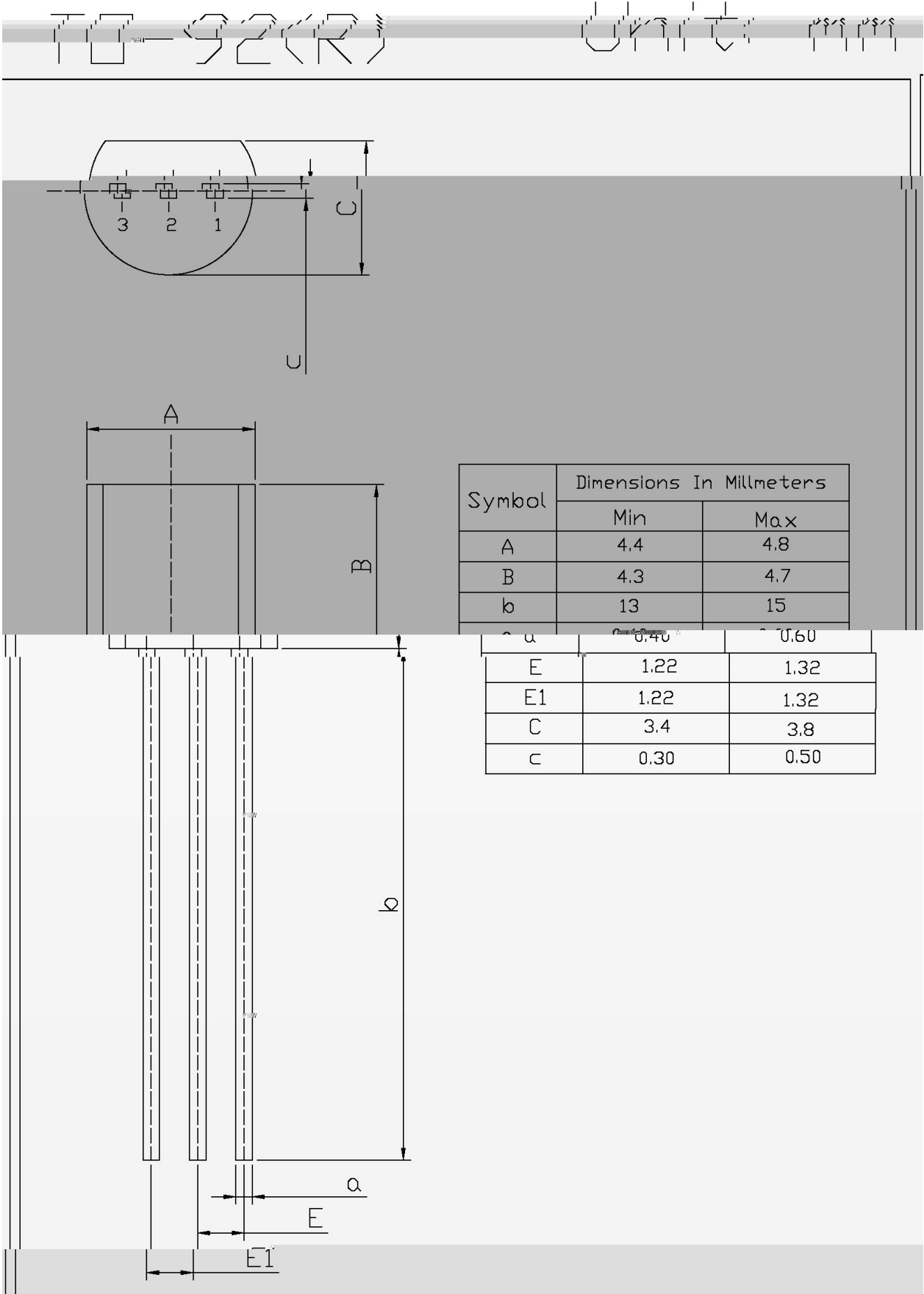
**/ Electrical Characteristics(Ta=25 )**

Parameter	Symbol	Test Conditions	Min	Typ	Max	Unit
Collector Cut-Off Current	$I_{CBO}$	$V_{CB}=-30V$ $I_E=0$			-0.015	$\mu A$
DC Current Gain	$h_{FE}$	$V_{CE}=-5.0V$ $I_C=-2.0mA$	200		450	
Collector-Emitter Saturation Voltage	$V_{CE(sat)}$	$I_C=-100mA$ $I_B=-5.0mA$			-0.65	V
Base-Emitter Saturation Voltage	$V_{BE(sat)}$	$I_C=-100mA$ $I_B=-5.0mA$		-0.9	-1.1	V
Base-Emitter Voltage	$V_{BE(1)}$	$V_{CE}=-5.0V$ $I_C=-2.0mA$	-0.6		-0.75	V
	$V_{BE(2)}$	$V_{CE}=-5.0V$ $I_C=-10mA$			-0.8	V
Current Gain Bandwidth Product	$f_T$	$V_{CE}=-5.0V$ $I_C=-10mA$ $f=100MHz$		150		MHz
Transition Frequency	$C_{ob}$	$V_{CB}=-10V$ $f=1.0MHz$		4.5		pF
Noise Figure	NF	$V_{CE}=-6.0V$ $I_C=-0.1mA$ $R_g=10K$ $f=1.0KHz$		1.0	10	dB

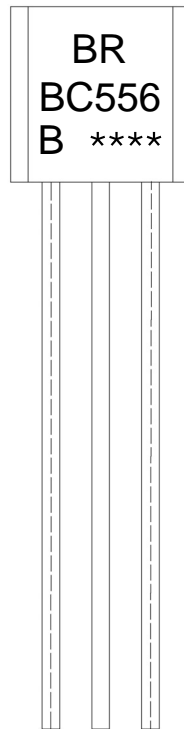
/ Electrical Characteristic Curve



**/ Package Dimensions**



/ **Marking Instructions**



BR

BC556

B             $h_{FE}$

\*\*\*\*

Note:

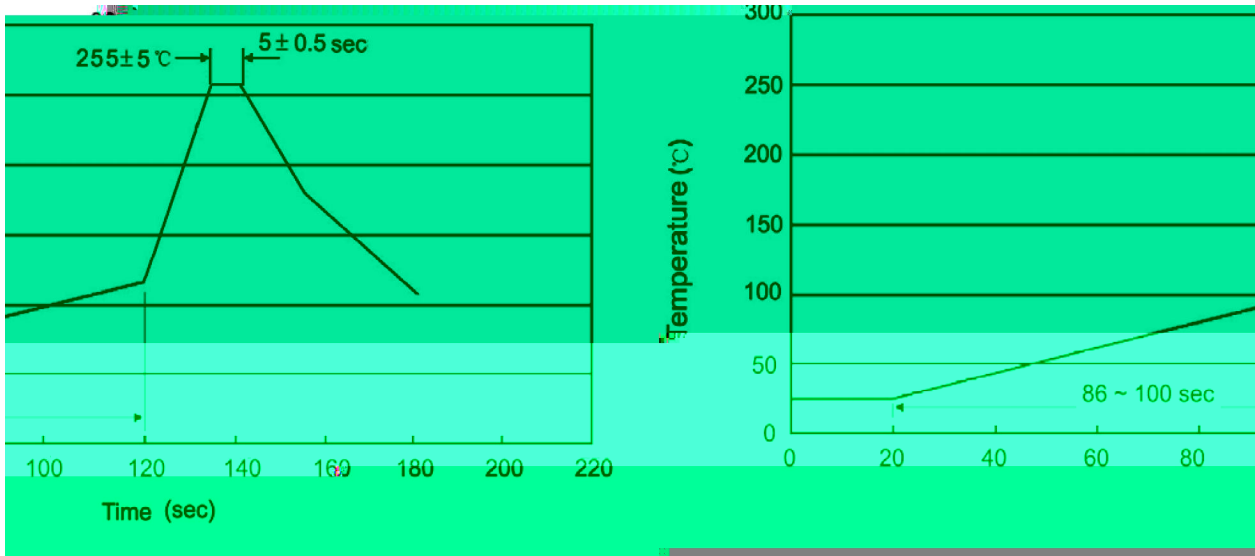
BR:        Company Code.

BC556:    Product Type.

B            $h_{FE}$  Classifications Symbol

\*\*\*\*:      Lot No. Code, code change with Lot No.

( ) / Temperature Profile for Dip Soldering(Pb-Free)



Note:

- |   |       |     |           |        |                                         |
|---|-------|-----|-----------|--------|-----------------------------------------|
| 1 | 25    | 150 | 60        | 90sec; | 1.Preheating:25~150 , Time:60~90sec.    |
| 2 | 255±5 |     | 5±0.5sec; |        | 2.Peak Temp.:255±5 , Duration:5±0.5sec. |
| 3 |       | 2   | 10        | /sec.  | 3. Cooling Speed: 2~10 /sec.            |

/ Resistance to Soldering Heat Test Conditions

270±5                      10±1 sec.                      Temp.:270±5°C                      Time:10±1 sec

/ Packaging SPEC.

/ BULK

Package Type 封装形式	Units 包装数量					Dimension 包装尺寸 (unit: mm3)		
	Units/Bag 只/袋	Bags/Inner Box 袋/盒	Units/Inner Box 只/盒	Inner Boxes/Outer Box 盒/箱	Units/Outer Box 只/箱	Bag 袋	Inner Box 盒	Outer Box 箱
TO-92	1,000	10	10,000	5	50,000	135×190	237×172×102	560×245×195
	1,000	10	10,000	10	100,000	135×190	237×172×102	560×245×375

/ AMMO

Package Type 封装形式	Units 包装数量					Dimension 包装尺寸 (unit: mm3)	
	Units/tape 只/纸带	Tape/Inner Box 纸带/盒	Rows/Inner Box 纸带层/盒	Inner Boxes/Outer Box 盒/箱	Units/Outer Box 只/箱	Inner Box 盒	Outer Box 箱
TO-92	3,000	1	120	10	30,000	328×230×42	小箱 480×346×235, 大箱 547×407×268

/ Notices