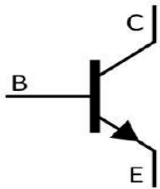


/ Descriptions

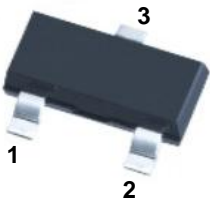
/ Features

/ Applications

/ Equivalent Circuit



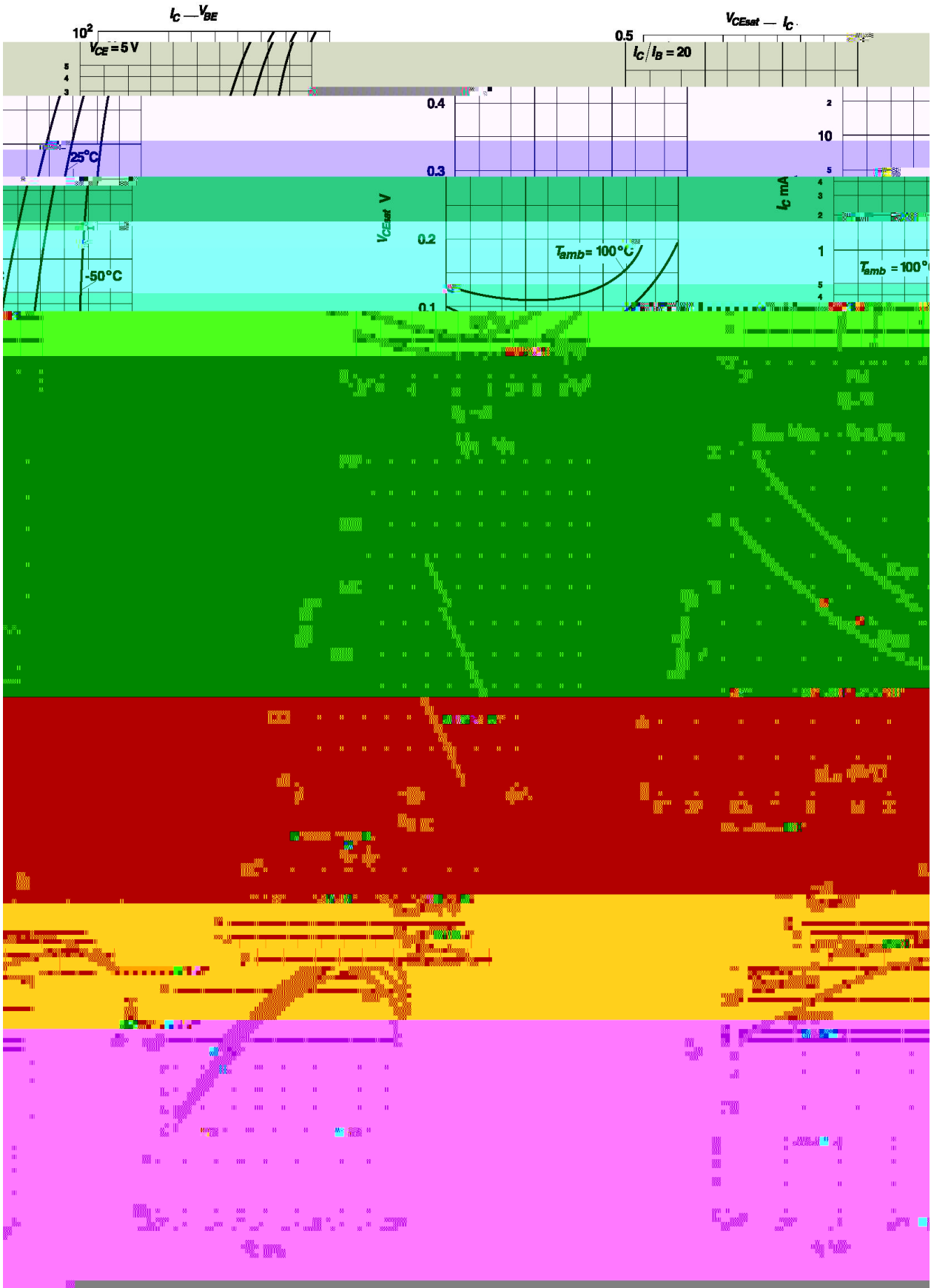
/ Pinning



/ h_{FE} Classifications & Marking

	~	~

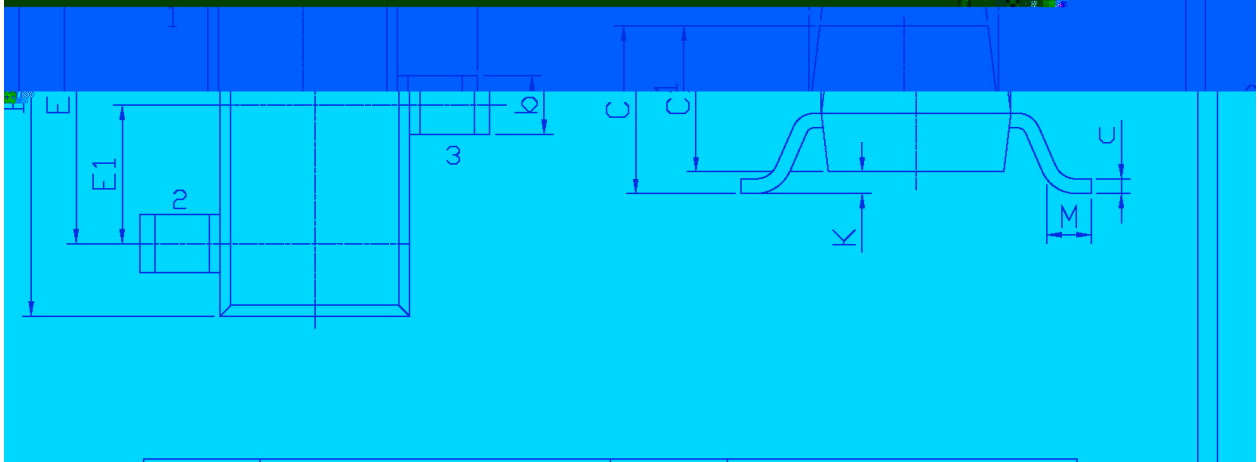
/ Electrical Characteristic Curve



/ Package Dimensions

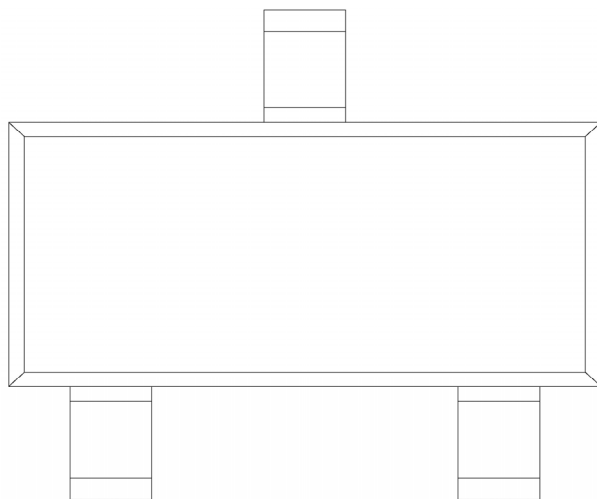
SOT-23

单位 mm

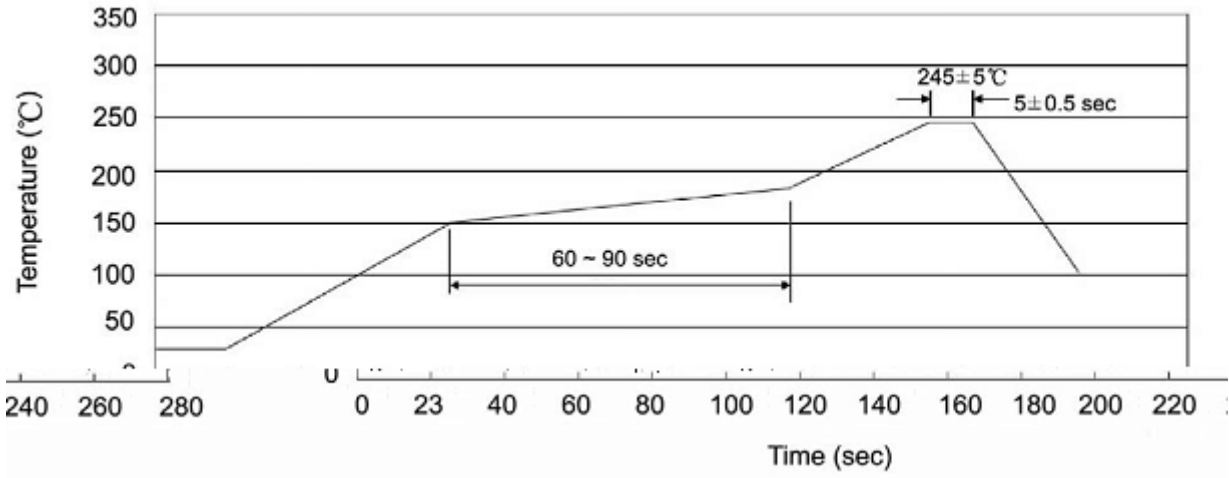


Symbol	Dimensions in Millimeters		Symbol	Dimensions in Millimeters	
	Min	Max		Min	Max
L	2.2	2.7	C	1.30Max	
L1	0.45	0.65	C1	0.90	1.20
A	1.15	1.50	c	0.05	0.20
B	2.70	3.10	K	0	0.10
E	1.70	2.10	M	0.20MIN	
E1	0.85	1.05	P	7°	
b	0.35	0.55			

/ Marking Instructions



() / Temperature Profile for IR Reflow Soldering(Pb-Free)



/ Resistance to Soldering Heat Test Conditions

/ Packaging SPEC.

封装形式	包装数量					包装尺寸 :		
	只卷盘	卷盘盒	只盒	盒箱	只箱	盒	箱	
						"		

/ Notices