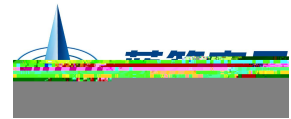


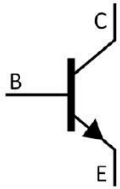
E	2016-5				
F	2021-4-20	1			
A	2022-4-23	all	BR Q TO-252 TO-252#, AEC-Q101 Q 245±5°C 5 ±0.5sec 255 ±5°C 5±0.5sec		



TO-252 NPN Silicon NPN transistor in a TO-252 Plastic Package.

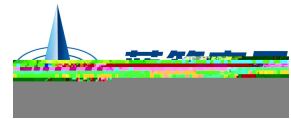
Complementary pair with BR2SB649ADQ, Qualified to AEC-Q101 Standards for High Reliability, HF Product.

Low frequency power amplifier, Meet the stringent requirements of automotive applications.



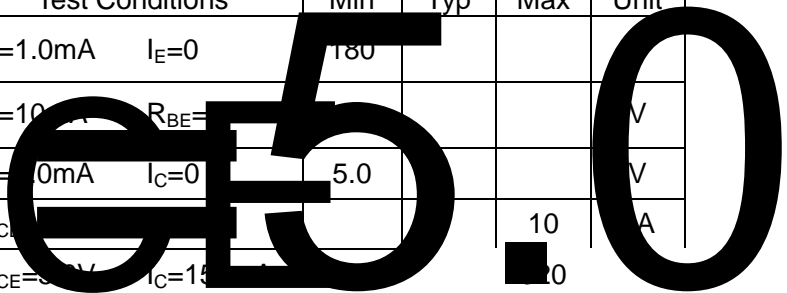
PIN1> Base PIN 2,4> Collector PIN 3> Emitter

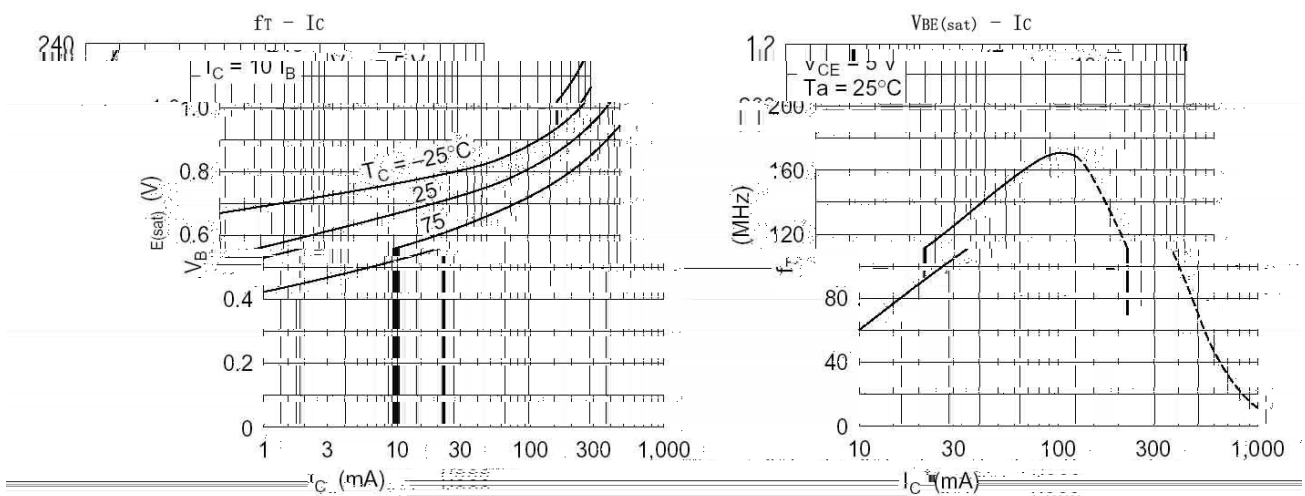
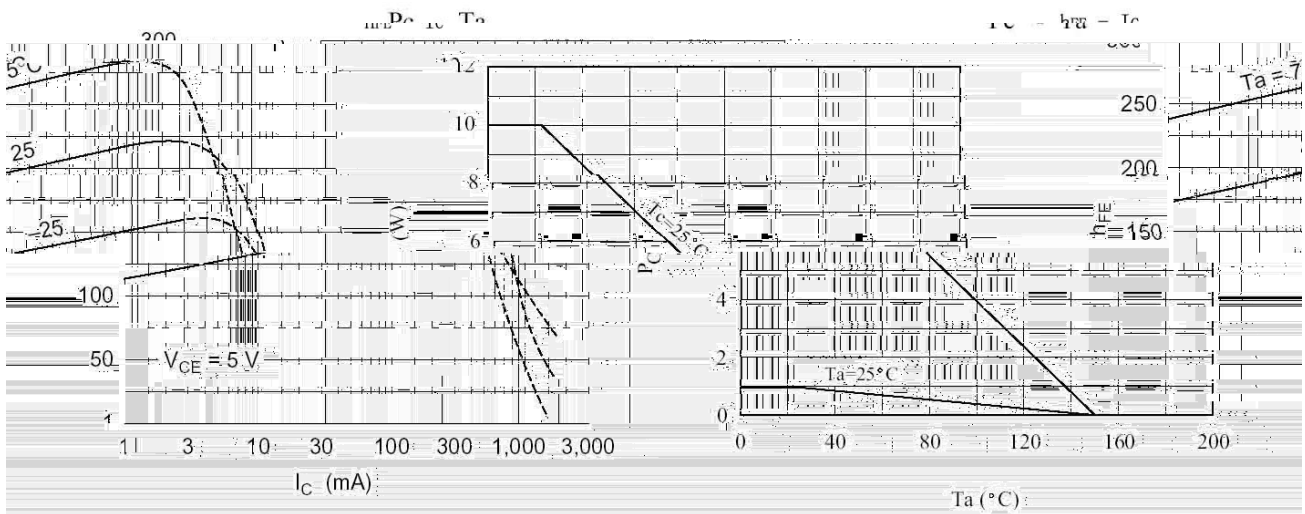
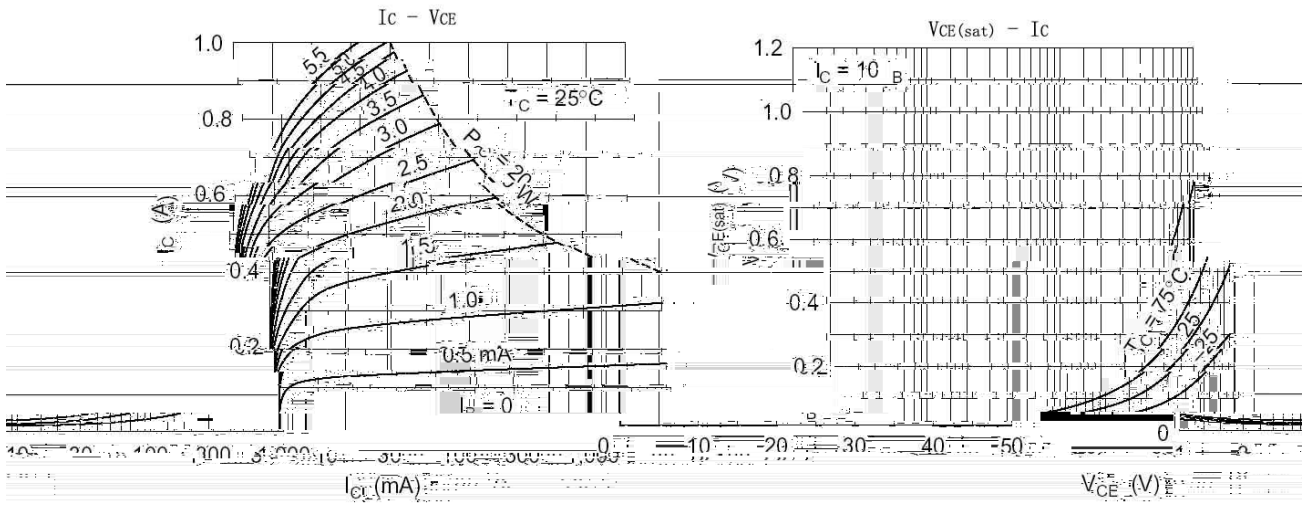
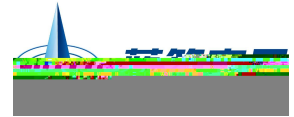
h _{FE} Classifications Symbol	B	C	D
h _{FE} Range	60~120	100~200	160~320

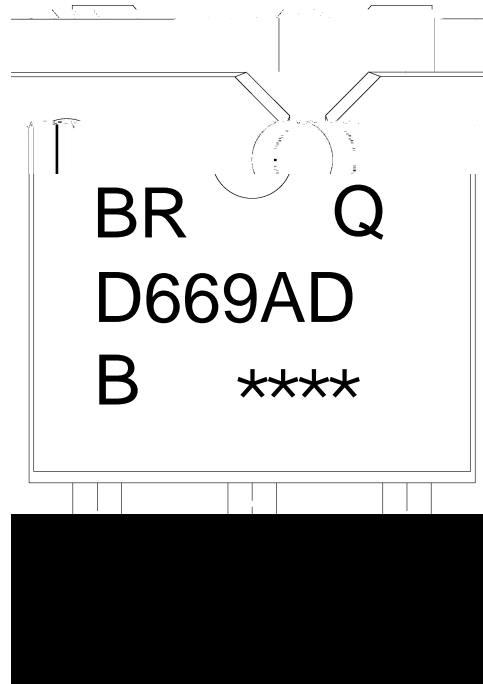
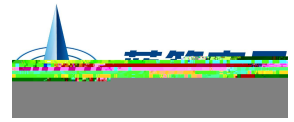


Parameter	Symbol	Rating	Unit
Collector to Base Voltage	V_{CBO}	180	V
Collector to Emitter Voltage	V_{CEO}	160	V
Emitter to Base Voltage	V_{EBO}	5.0	V
Collector Current - Continuous	I_C	1.5	A
Collector Current – Continuous(Pulse)	I_{CP}	3.0	A
Collector Power Dissipation	P_C	1.0	W
Collector Power Dissipation	$P_C(T_c=25^\circ C)$	10	W
Junction Temperature	T_j	150	$^\circ C$
Storage Temperature Range	T_{stg}	-55~150	$^\circ C$

Parameter	Symbol	Test Conditions	Min	Typ	Max	Unit
Collector to Base Breakdown Voltage	V_{CBO}	$I_C=1.0mA$ $I_E=0$	180			V
Collector to Emitter Breakdown Voltage	V_{CEO}	$I_C=10mA$ $R_{BE}=\infty$				V
Emitter to Base Breakdown Voltage	V_{EBO}	$I_E=10mA$ $I_C=0$	5.0			V
Collector Cut-Off Current	I_{CBO}	$V_{CB}=\infty$ $V_{EB}=\infty$			10	A
DC Current Gain	$h_{FE(1)}$	$V_{CE}=5V$ $I_C=15mA$			10	







BR

Q

D669AD

B: h_{FE}

Note:

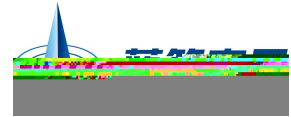
BR: Company Code

Q: Automobile halogen-free product Code

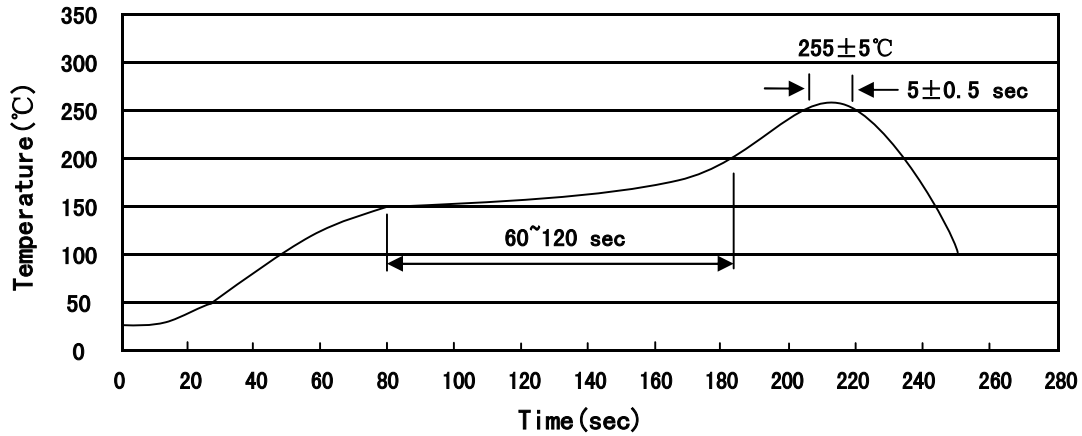
D669AD: Product Type

B: h_{FE} Classifications Symbol

****: Lot No. Code, code change with Lot No



Temperature Profile for IR Reflow Soldering(Pb-Free)



Note:

- 1 150 200 60 120sec; 1.Preheating:150~200°C, Time:60~120sec.
- 2 255±5 5±0.5sec; 2.Peak Temp.:255±5°C, Duration:5±0.5sec.
- 3 2 10°C/sec. 3. Cooling Speed: 2~10°C/sec.

260±5°C 10±1 sec. Temp.:260±5°C Time:10±1 sec

/ REEL

Package Type 封装形式	Units 包装数量					Dimension 包装尺寸 (unit: mm ³)		
	Units/Reel /	Reels/Inner Box /	Units/Inner Box /	Inner Boxes/Outer Box /	Units/Outer Box /	Reel	Inner Box 盒	Outer Box 箱
TO-252	2,500	2	5,000	6	30,000	13" x16	360×360×50	380×335×366

/ TUBE

Package Type 封装形式	Units 包装数量					Dimension 包装尺寸 (unit: mm ³)		
	Units/Tube /	Tubes/Inner Box /	Units/Inner Box /	Inner Boxes/Outer Box /	Units/Outer Box /	Tube 套管	Inner Box 盒	Outer Box 箱
TO-251/252	75	48	3,600	5	18,000	526×20.5×5.25	555×164×50	575×290×180