

	V_{IN}	-0.3 to 40	V
	I_{OUT}	600	mA
	P_D	0.6	W
	T_{stg}	-40 to +125	°C
	T_A	-40 to +125	°C
10s	T_{sold}	260	°C
	HBM	2	kV
	MM	200	V

	V_{IN}				36	V
1	$V_{OUT E}$	$I_{OUT}=10mA$	3.234	3.3	3.366	V
2	V_{dif}	$I_{OUT}=100mA$ $V_{OUT}=3.3V$		200		mV
	I_{SS}	$I_{OUT}=0mA$		2	5	uA
	V_{load}	$V_{IN}=V_{OUT S} +1V$ $1mA I_{OUT} 300mA$		15	50	mV
	$\frac{V_{OUT}}{(V_{IN} * V_{OUT})}$	$I_{OUT}=10mA$ $V_{OUT S} +1V V_{IN}$ 36V		0.01	0.1	%/V
	$\frac{V_{OUT}}{(T_A * V_{OUT})}$	$I_{OUT}=10mA$ -40 T_A 125		50		ppm/
	I_{LIM}	$V_{OUT}=0.5 \times$ $V_{OUT(Normal)}, V_{IN} = 5V$	350			mA
	I_{SHORT}	$V_{OUT}=V_{SS}$		100		mA
	PSRR	$I_{OUT}=50mA f=100Hz$		75		dB
		$I_{OUT}=50mA f=1kHz$		70		
		$I_{OUT}=50mA f=10kHz$		55		
		$I_{OUT}=50mA f=100kHz$		40		

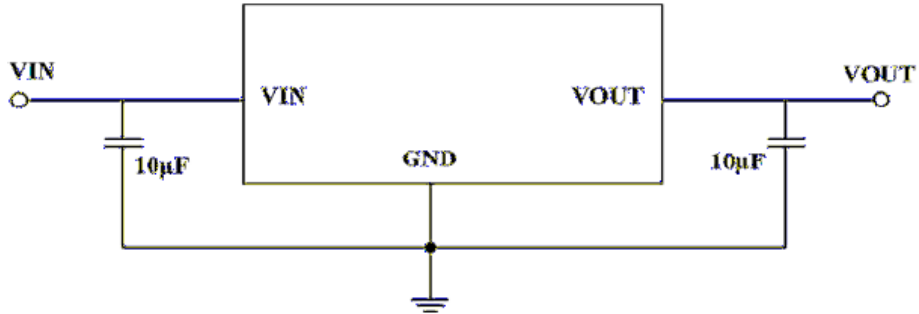


	V_{ON}	BW=10Hz to 100kHz		90	μV_{RMS}
	T_{SD}			160	
	T_{SD}			20	

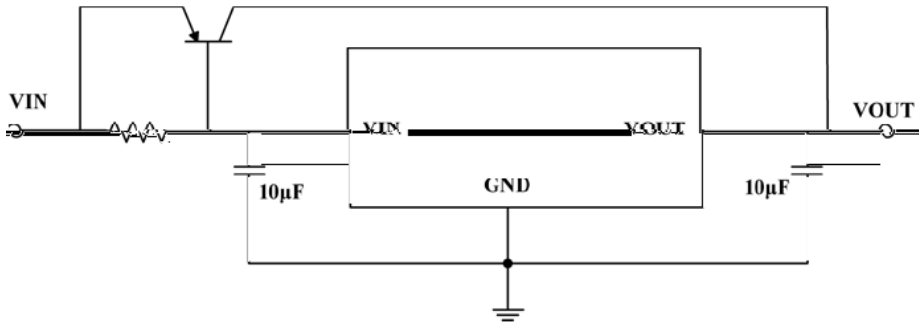
 (1) $V_{OUT E}$
 $V_{OUT S}$
 V_{OUT}
 $V_{OUT} * 98\%$

(2)

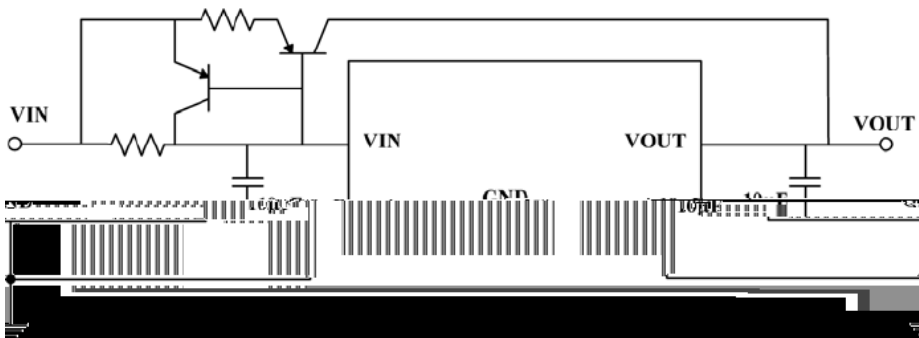
/ Basic Application



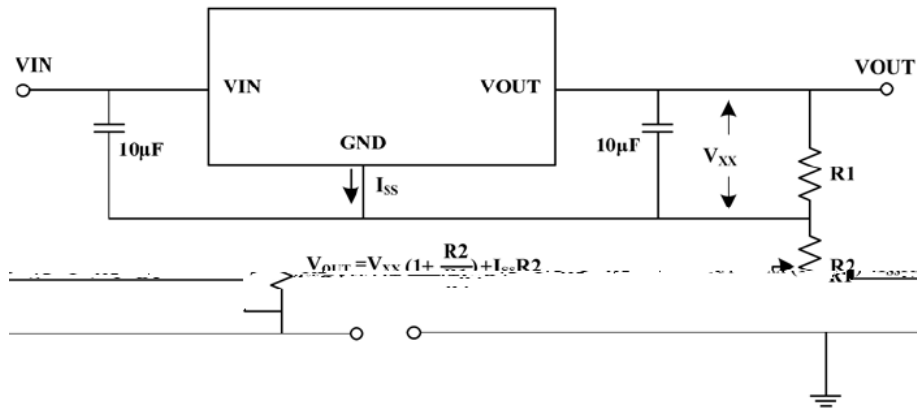
/ High Output Current Voltage Regulator



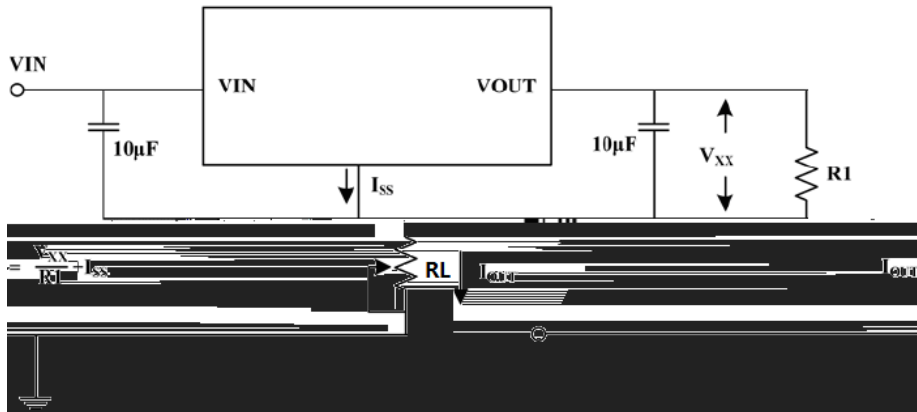
/ Short-Circuit Protection



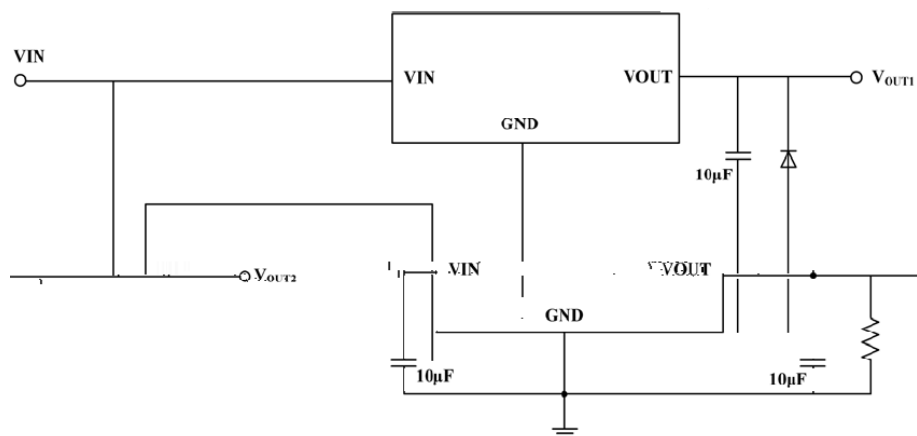
/ Circuit for Increasing Output Voltage



/ Constant Current Regulator

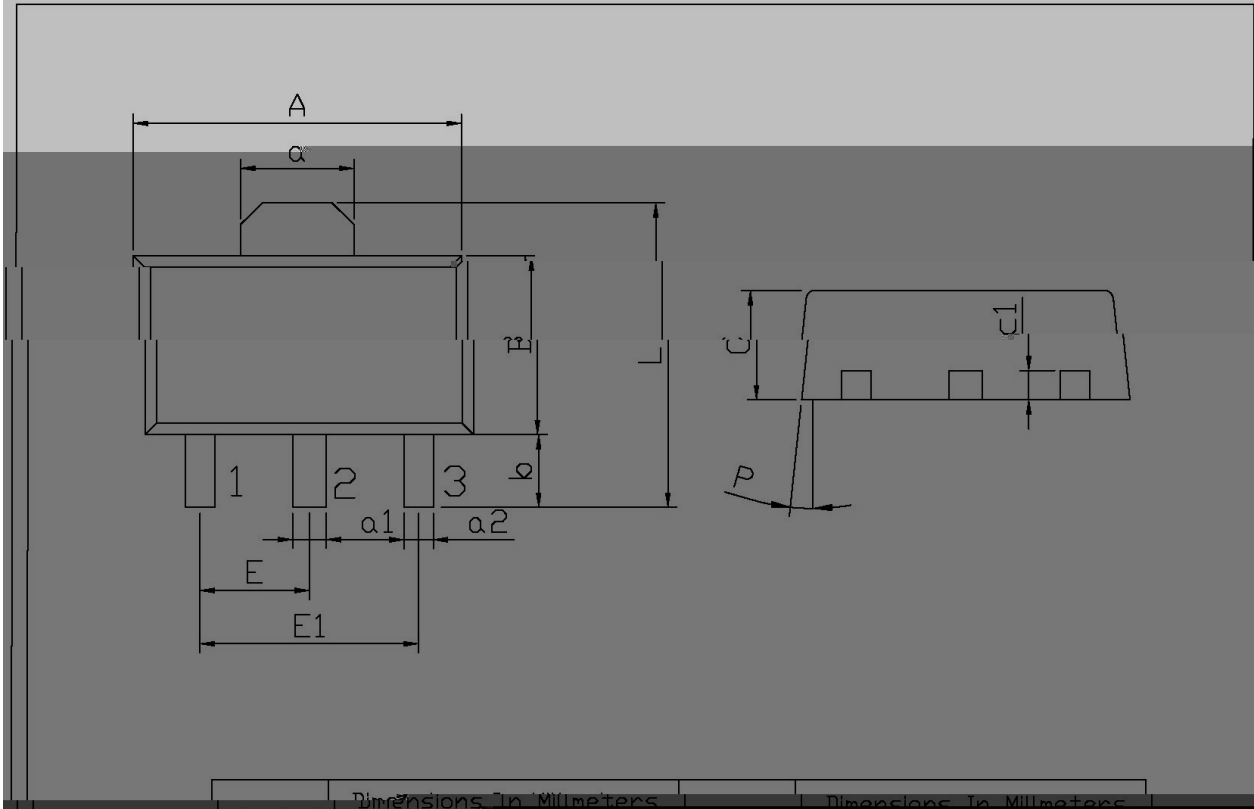


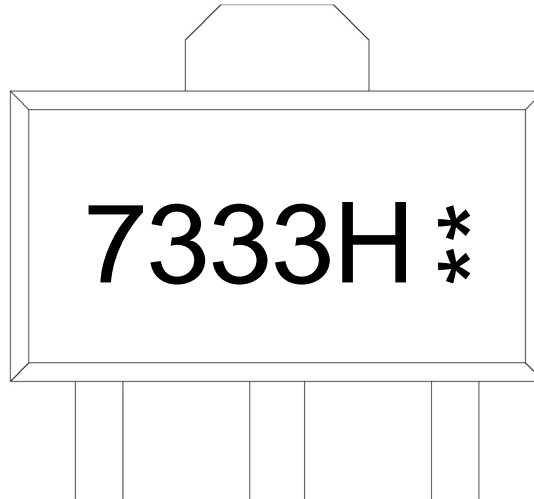
/ Double Output Circuit



SOT-89

单位: mm





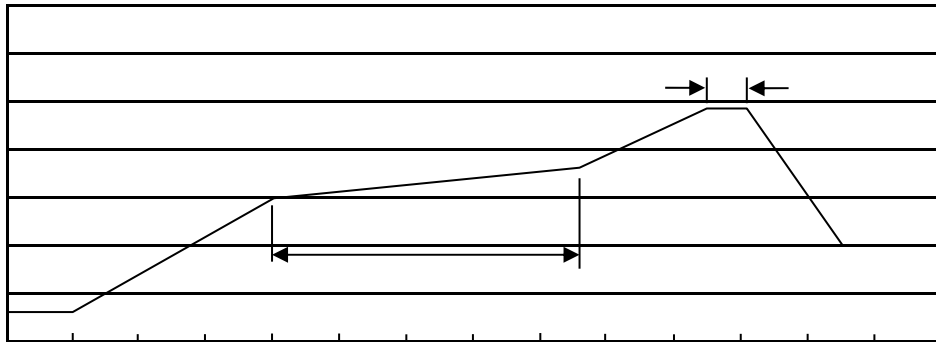
7333H

**

Note

7333H: Product Type Code

** : Lot No. Code, code change with Lot No

Temperature Profile for IR Reflow Soldering(Pb-Free)

Note:

- | | | | | | |
|---|-----|-----|----|----------|-----------------------------------------|
| 1 | 150 | 180 | 60 | 90sec; | 1.Preheating:150~180 , Time:60~90sec. |
| 2 | 245 | 5 | 5 | 0.5sec; | 2.Peak Temp.:245 5 , Duration:5 0.5sec. |
| 3 | | | 2 | 10 /sec. | 3. Cooling Speed: 2~10 /sec. |

260 5 10 1 sec. Temp.:260±5℃ Time:10±1 sec

/ REEL

Package Type 封装形式	Units 包装数量					Dimension 包装尺寸 (unit: mm ³)		
	只卷盘	卷盘盒	只盒	盒箱	只箱	盒	箱	
SOT-89	1,000	10	10,000	4	40,000	7 x12	210x205x205	445x435x230