

SOT-89

Low dropout linear regulator in a SOT-89 Plastic Package .

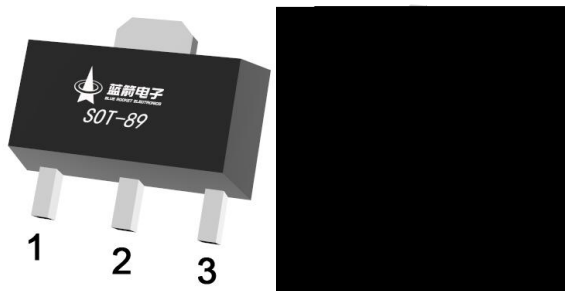
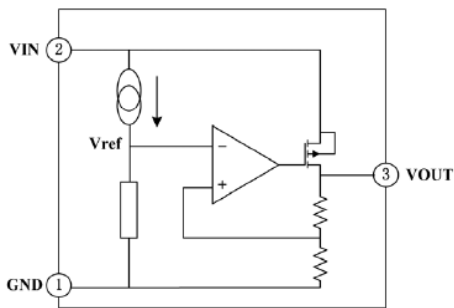
20V

1.5 μ A

2%

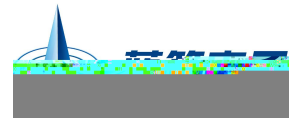
Low power consumption,Low voltage drop,Small temperature drift coefficient,High input voltage up to 20V,The static current 1.5 μ A,The output voltage accuracy: $\pm 2\%$,HF Product.

For use in power equipment,Communication equipment,Audio and video equipment.



PIN1 GND PIN 2 VIN PIN 3 VOUT

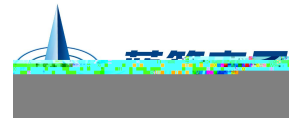
/ See Marking Instructions.



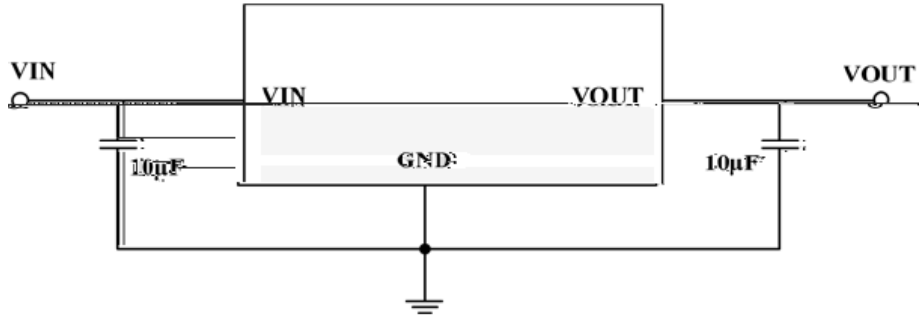
Parameter	Symbol	Rating	Unit
Working Voltage	V_{IN}	-0.3~+20	V
Thermal Resistance	R_{JA}	200	/W
Power Consumption	P_W	500	mW
Storage Temperature	T_{STG}		
Working Temperature	T_A		

Notes: If the device operating conditions over the maximum rating of the specified conditions, may cause permanent damage to the device. The above parameters are the maximum of the operating conditions the maximum, we do not recommend the device running over the scope of this specification. If the device to work long hours under the condition of a long maximum limit, its stability may be affected.

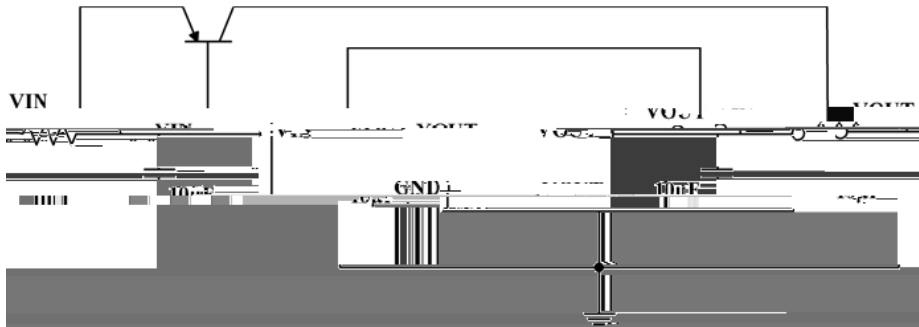
Parameter	Symbol	Test Conditions	Unit
-----------	--------	-----------------	------



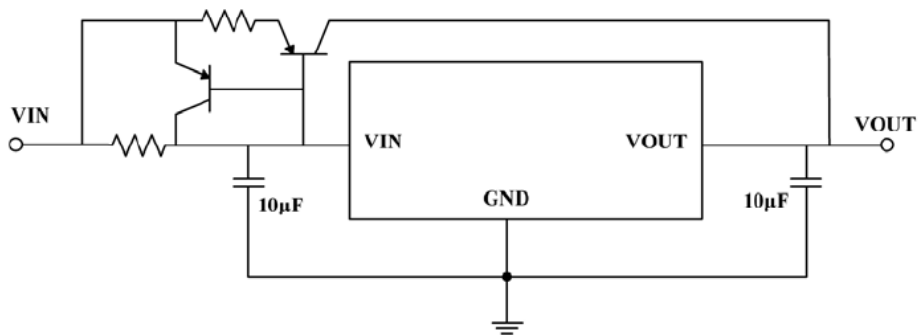
/ Basic Application

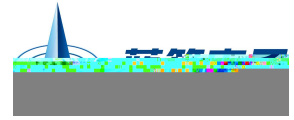


/ High Output Current Voltage Regulator

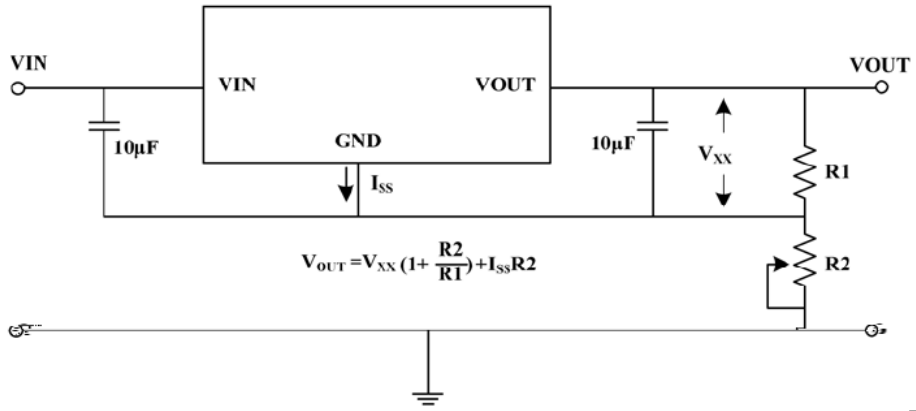


/ Short-Circuit Protection

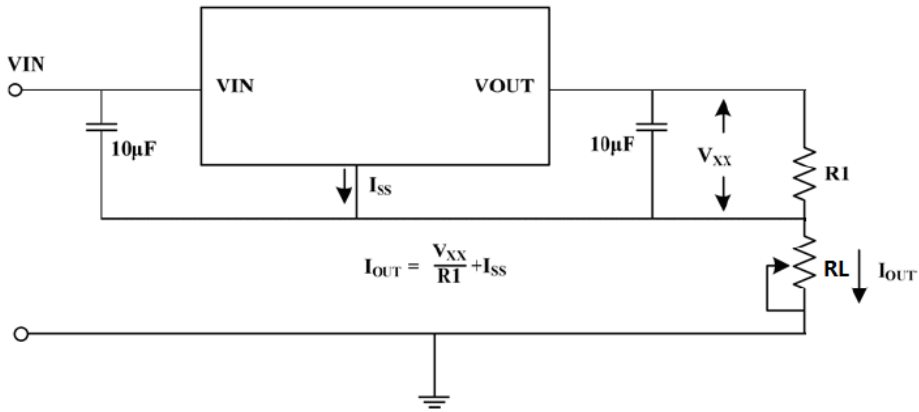




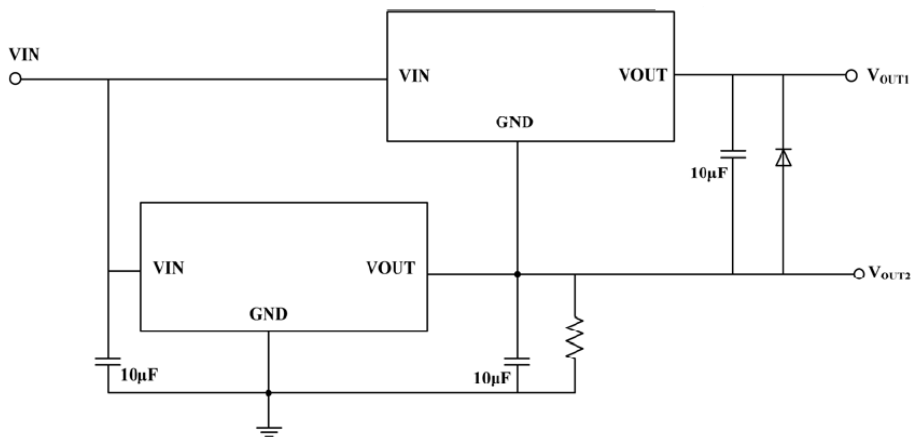
/ Circuit for Increasing Output Voltage

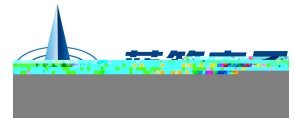


/ Constant Current Regulator



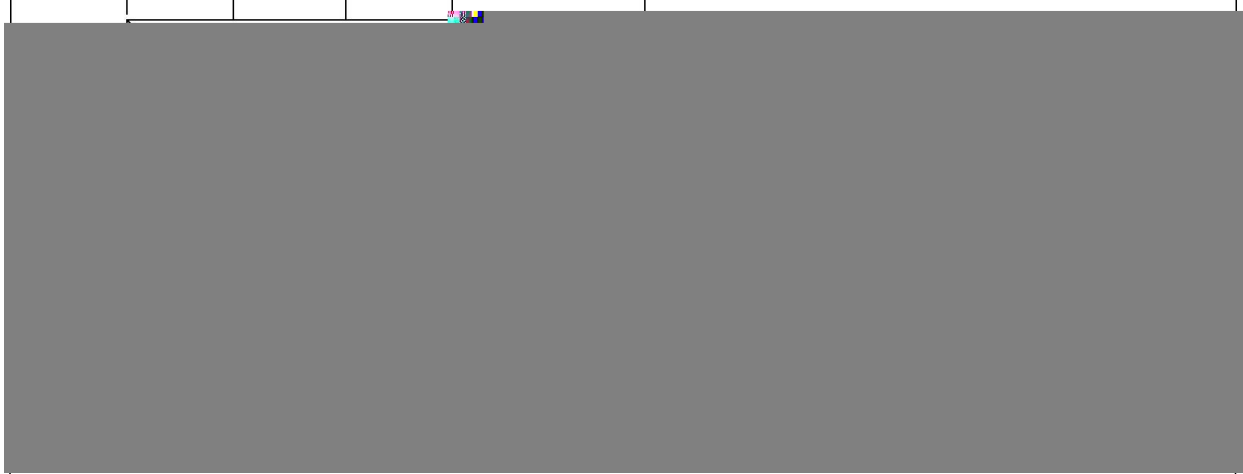
/ Double Output Circuit



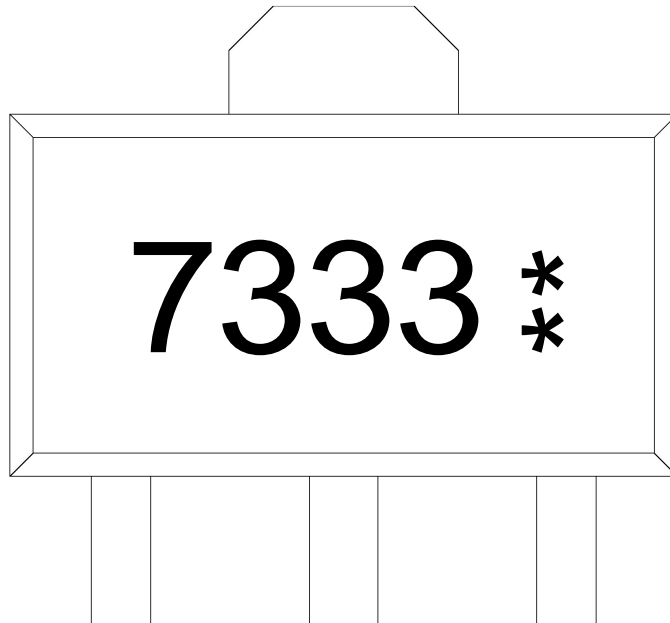
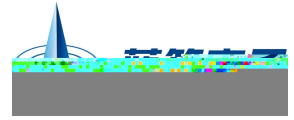


SPT-89

单位: mm



Symbol	Dimensions In Millimeters		Symbol	Dimensions In Millimeters	
	Min	Max		Min	Max
A	4.4	4.7	a1	0.36	0.56
B	2.25	2.65	a	0.28	0.50



说明：

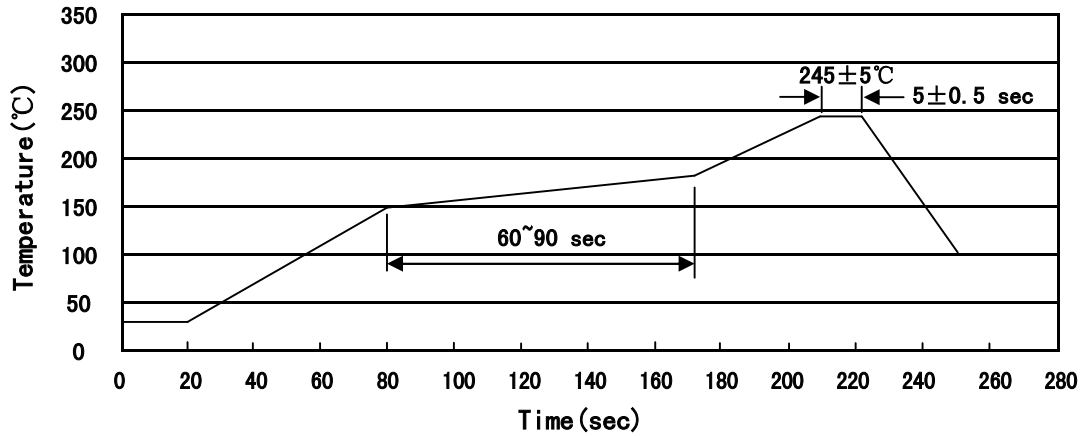
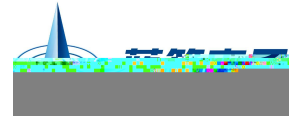
7333： 为型号代码

**： 为生产批号代码，随生产批号变化

Note:

7333: Product Type

**： Lot No. Code, code change with Lot No



Note:

- | | | | |
|---|---------|-----------|--|
| 1 | 150 180 | 60 90sec; | 1.Preheating:150~180°C, Time:60~90sec. |
| 2 | 245±5 | 5±0.5sec; | 2.Peak Temp.:245±5°C, Duration:5±0.5sec. |
| 3 | 2 | 10°C/sec. | 3. Cooling Speed: 2~10°C/sec. |

260±5°C

10±1 sec.

Temp.:260±5

Time:10±1 sec

/ REEL

Package Type	Units					Dimension (unit mm)		
	Units/Reel 只/卷盘	Reels/Inner Box 卷盘/盒	Units/Inner Box 只/盒	Inner Boxes/Outer Box 盒/箱	Units/Outer Box 只/箱	Reel	Inner Box	Outer Box
SOT-89	1,000	7	7,000	6	42,000	7" ×12	180×120×180	390×385×205