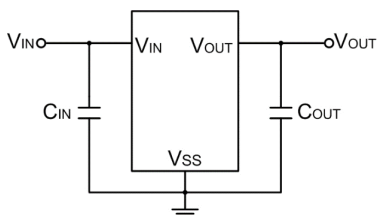


/ Descriptions

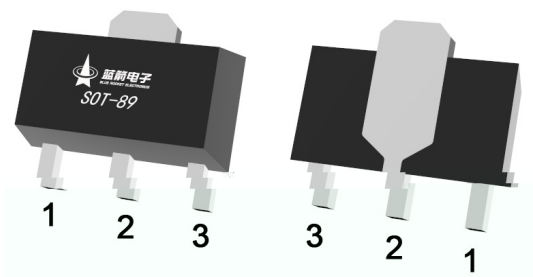
/ Features

/ Applications

/ Equivalent Circuit



/ Pinning

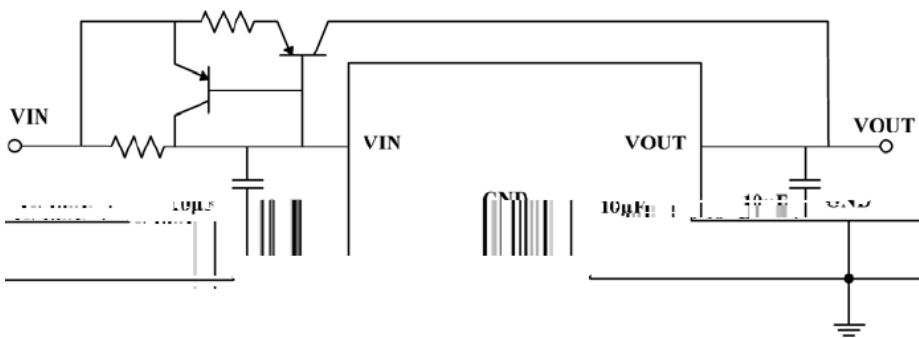
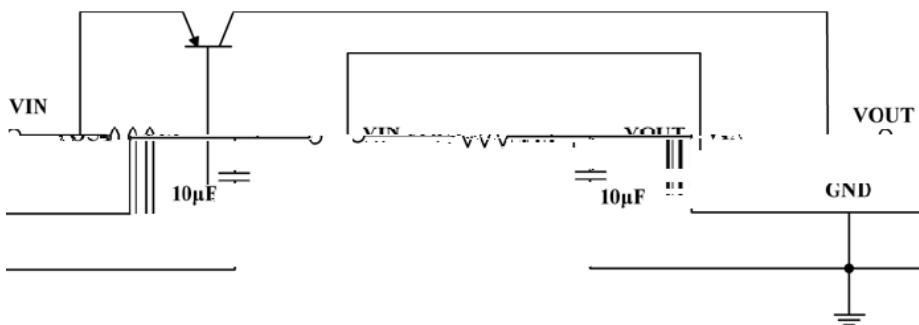
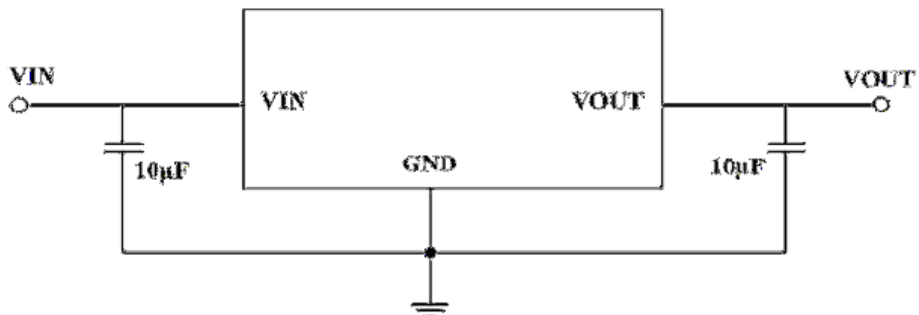


/ Marking

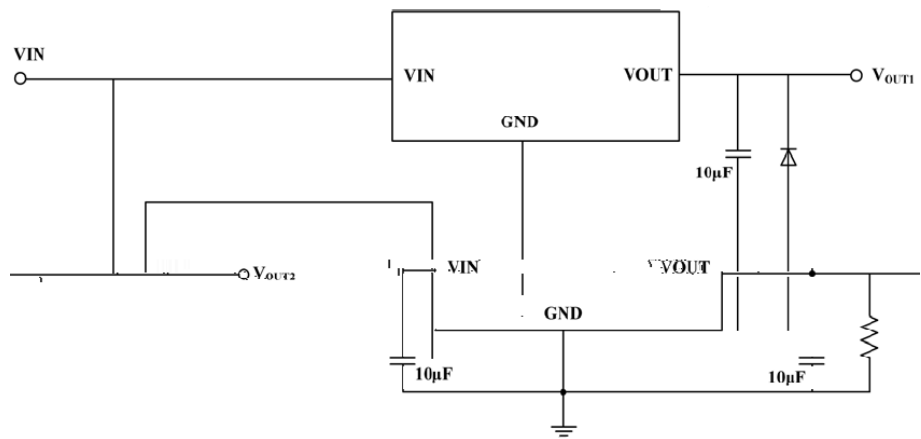
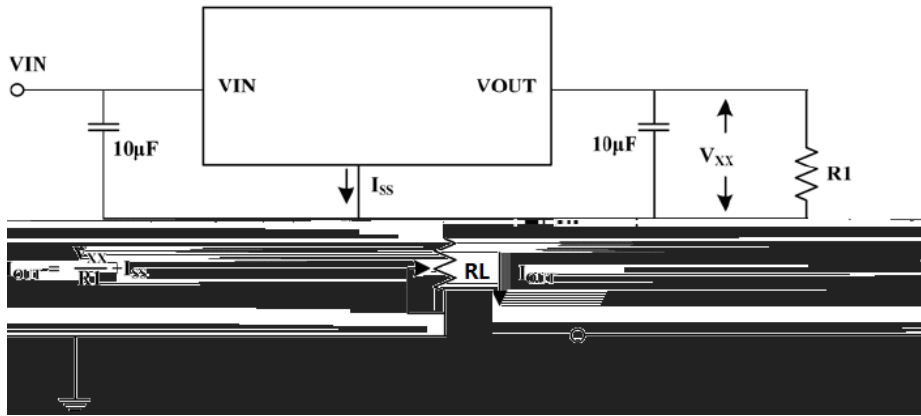
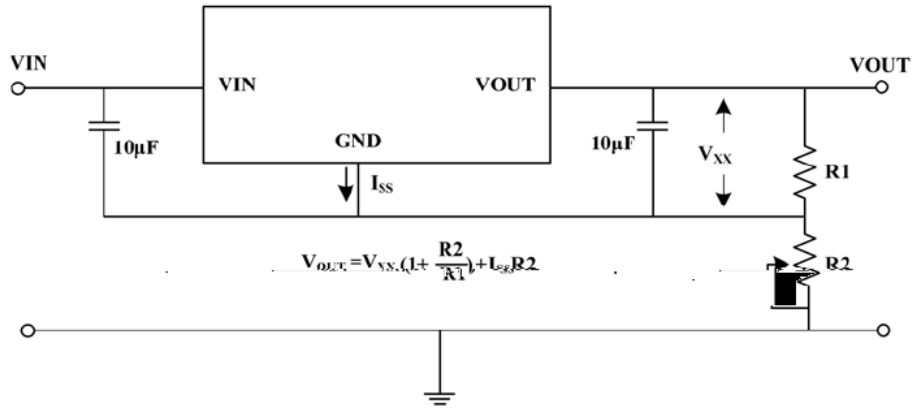
/ Electrical Characteristics($T_A=25$, $V_{IN}=V_{OUT}+1V$, $C_{IN}=C_{OUT}=1\mu F$, unless otherwise specified)

						°C
	△					°C

/ Typical Application Circuit

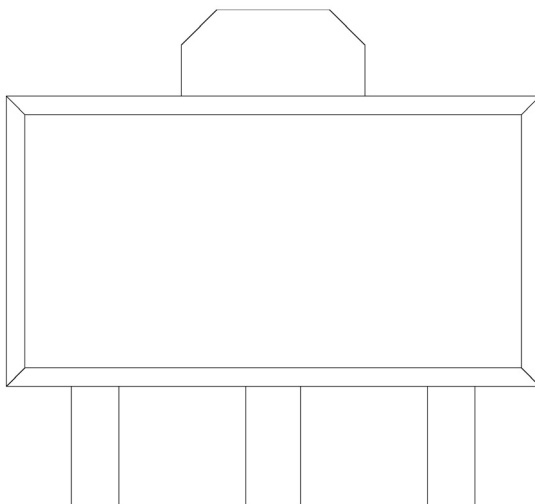


/ Typical Application Circuit

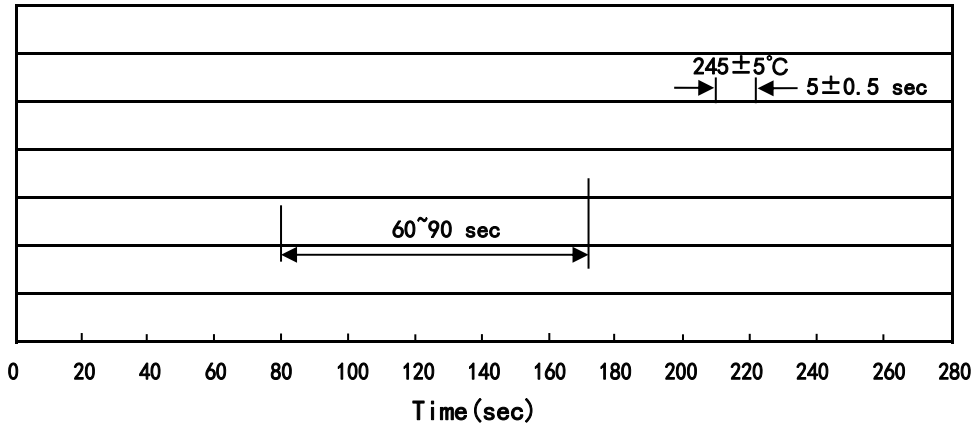


BRCO7350HT

/ Marking Instructions



() / Temperature Profile for IR Reflow Soldering(Pb-Free)



/ Resistance to Soldering Heat Test Conditions

/ Packaging SPEC.

	Units/Reel	Reels/Inner Box	Units/Inner Box	Inner Boxes/Outer Box	Units/Outer Box	Reel	Inner Box	Outer Box
	/	/	/	/	/	"		

/ Notices