

# BRC07533MT

Rev.B Jul.-2024

## / Descriptions

SOT-89

Low dropout linear regulator in a SOT-89 Plastic Package .

## / Features

24V

1.5 $\mu$ A

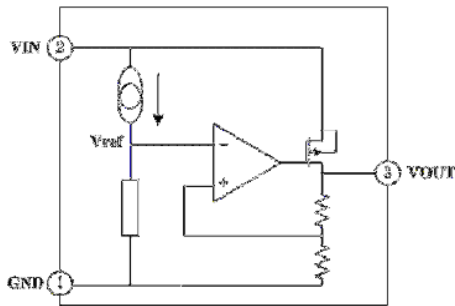
$\pm 2\%$

Low power consumption,Low voltage drop,Small temperature drift coefficient,High input voltage up to 24V,The static current 1.5 $\mu$ A,The output voltage accuracy: $\pm 2\%$ ,HF Product.

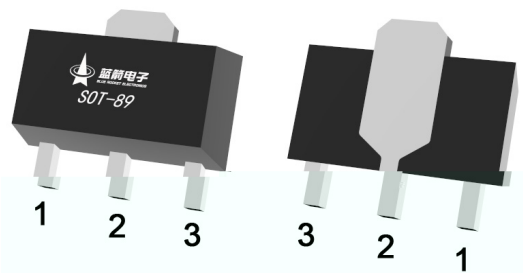
## / Applications

For use in power equipment,Communication equipment,Audio and video equipment.

## / Equivalent Circuit



## / Pinning



PIN1 GND PIN 2 VIN PIN 3 VOUT

## / Marking

See Marking Instructions.

# BRCO7533MT

Rev.B Jul.-2024

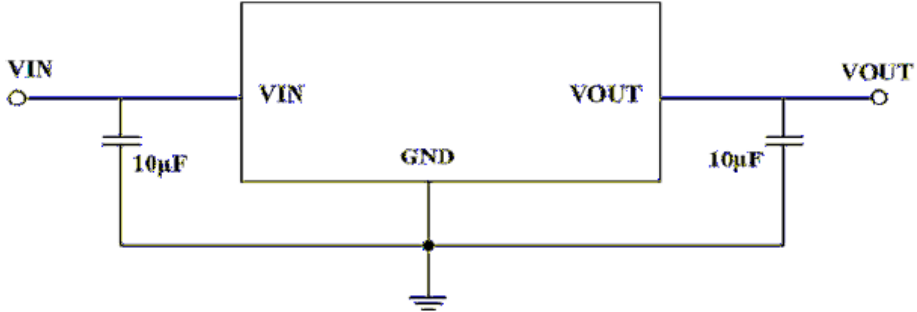


DATA SHEET

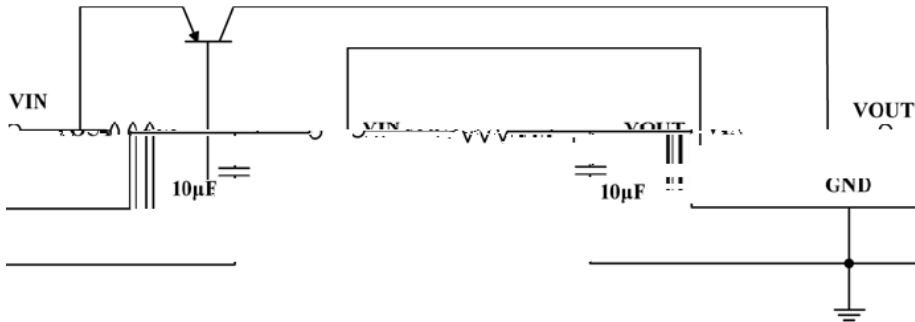
Parameter	Symbol	Rating	Unit
Working Voltage	$V_{IN}$	-0.3~+24	V
Thermal Resistance	$R_{JA}$	200	/W
Power Consumption	$P_D$	500	mW
Storage Temperature	$T_{STG}$	-50~+125	

**/ Typical Application Circuit**

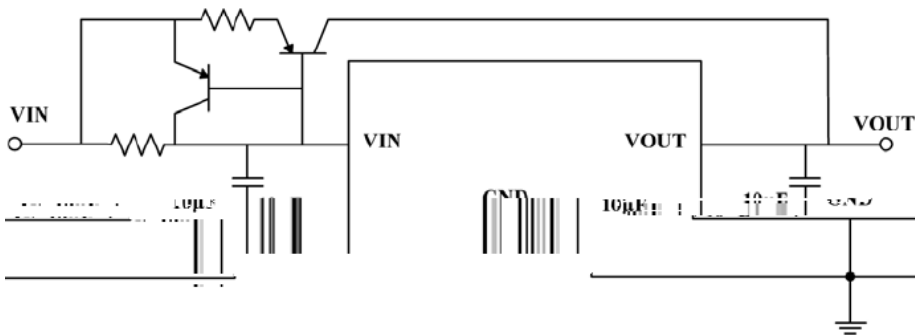
/ Basic Application



/ High Output Current Voltage Regulator

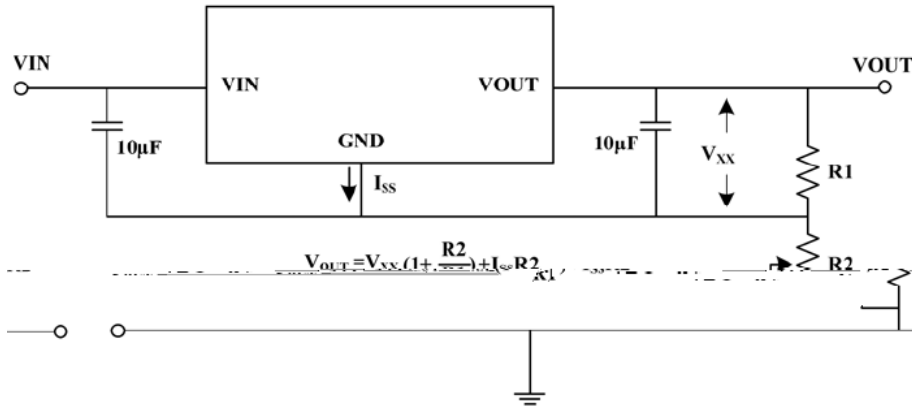


/ Short-Circuit Protection

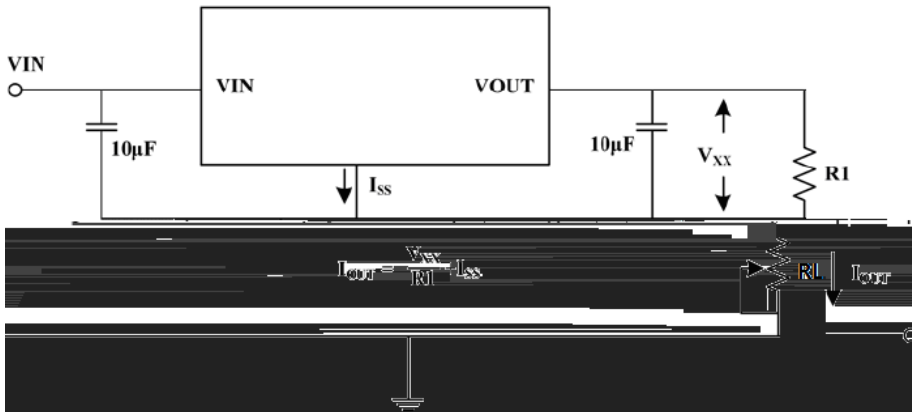


**/ Typical Application Circuit**

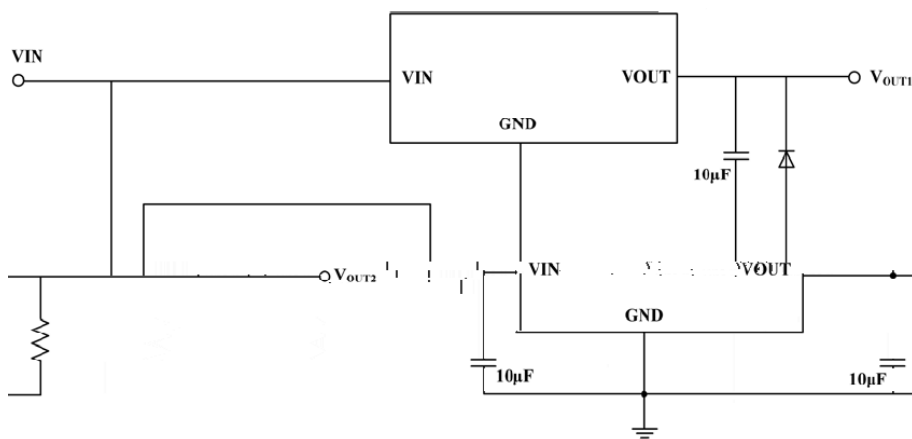
/ Circuit for Increasing Output Voltage



/ Constant Current Regulator

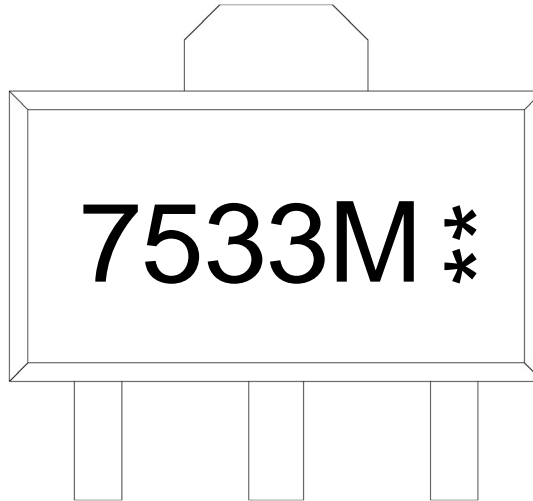


/ Double Output Circuit





/ Marking Instructions



7533M

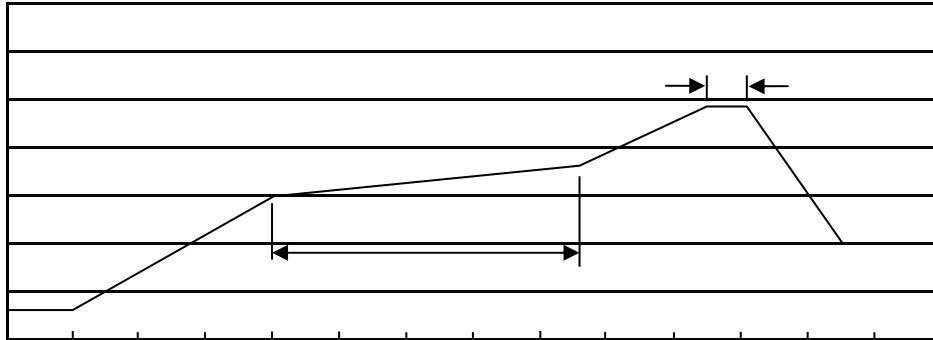
\*\*

Note:

7533M: Product Type Code

\*\* : Lot No. Code, code change with Lot No

( ) / Temperature Profile for IR Reflow Soldering(Pb-Free)



Note:

- |   |       |     |           |          |   |
|---|-------|-----|-----------|----------|---|
| 1 | 150   | 180 | 60        | 90sec;   | 1.Preheating:150~180 , Time:60~90sec.   |
| 2 | 245±5 |     | 5±0.5sec; |          | 2.Peak Temp.:245±5 , Duration:5±0.5sec. |
| 3 |       |     | 2         | 10 /sec. | 3. Cooling Speed: 2~10 /sec.            |

/ Resistance to Soldering Heat Test Conditions

260±5                      10±1 sec.                      Temp.:260±5                      Time:10±1 sec

/ Packaging SPEC.

/ REEL

Package Type	Units					Dimension (unit mm <sup>3</sup> )			
SOT-89	1,000	10	10,000	4	40,000	7	x12	210x205x205	445x435x230

/ Notices