

BRC07533T

Rev.F Apr.-2021

SOT-89

Low dropout linear regulator in a SOT-89 Plastic Package .

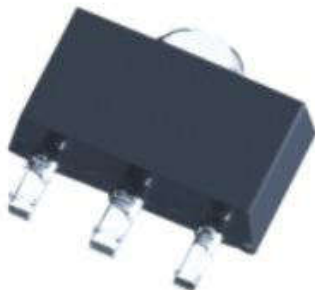
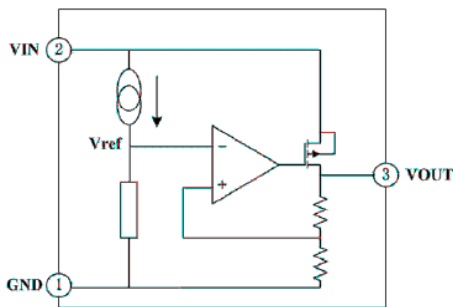
30V

2.5 μ A

$\pm 2\%$

Low power consumption,Low voltage drop,Small temperature drift coefficient,High input voltage up to 30V,The static current 2.5 μ A,The output voltage accuracy: $\pm 2\%$.HF Product.

For use in power equipment,Communication equipment,Audio and video equipment.



PIN1 GND PIN 2 VIN PIN 3 VOUT

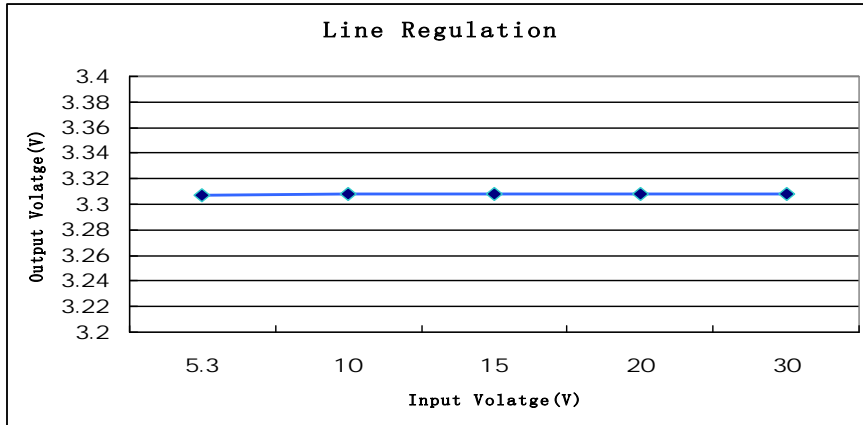
印章代码 / Marking

/ See MarkinM e

BRCO7533T

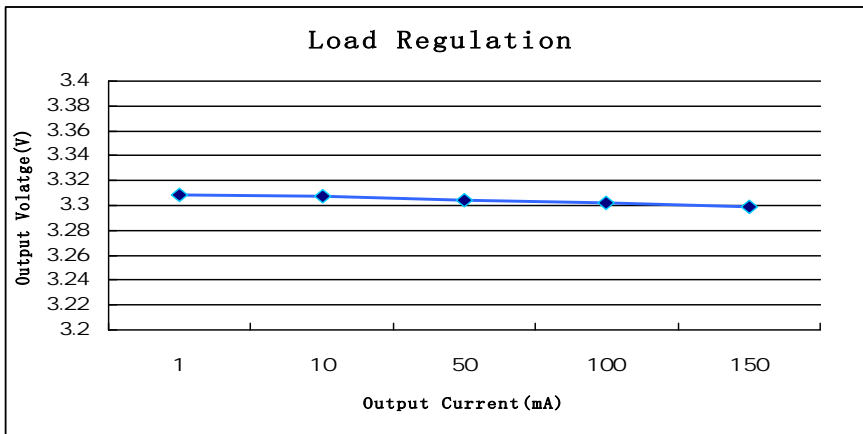
电参数曲线图 / Electrical Characteristic Curve

/ The input voltage and output voltage



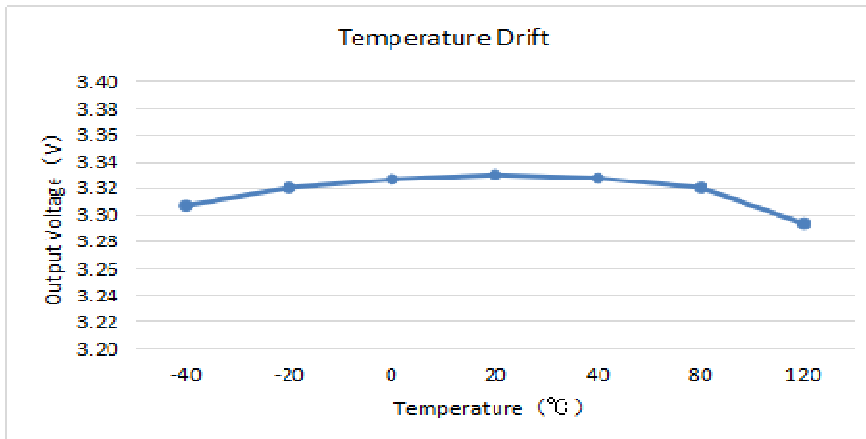
$I_{OUT}=10mA$

/ The output voltage and load current



$V_{IN}=5.3V$

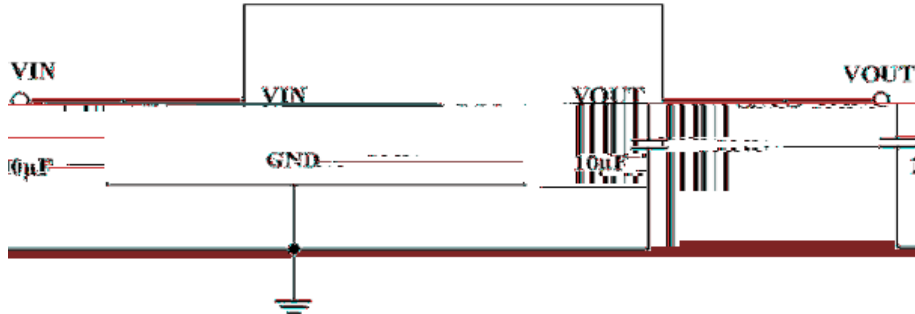
/ The output voltage and temperature



$I_{OUT}=10mA$

典型应用电路 / Typical Application Circuit

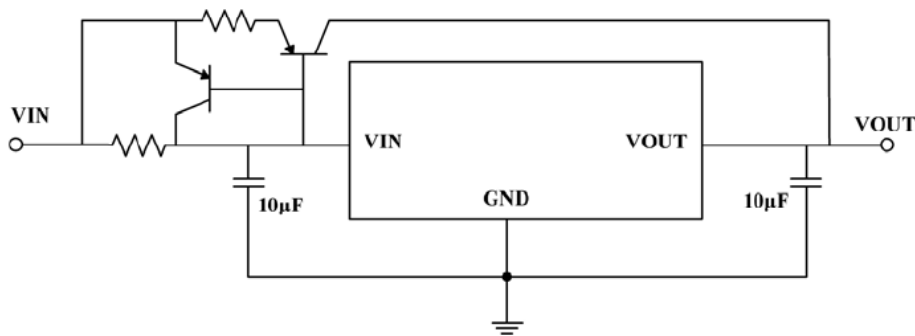
/ Basic Application



/ High Output Current Voltage Regulator

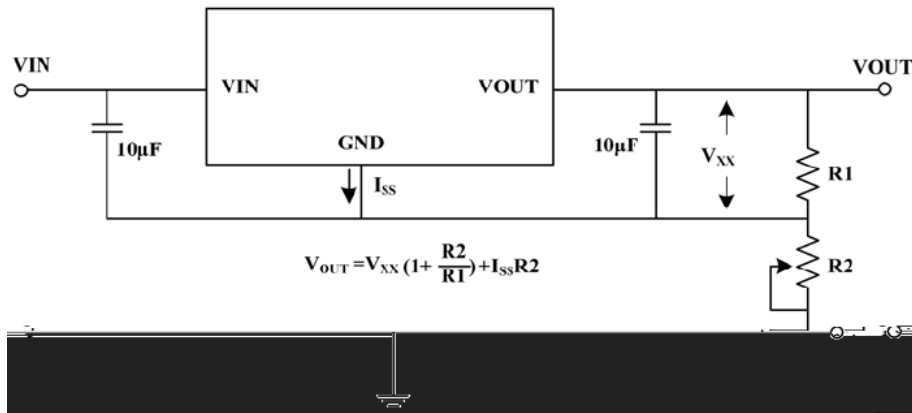


/ Short-Circuit Protection

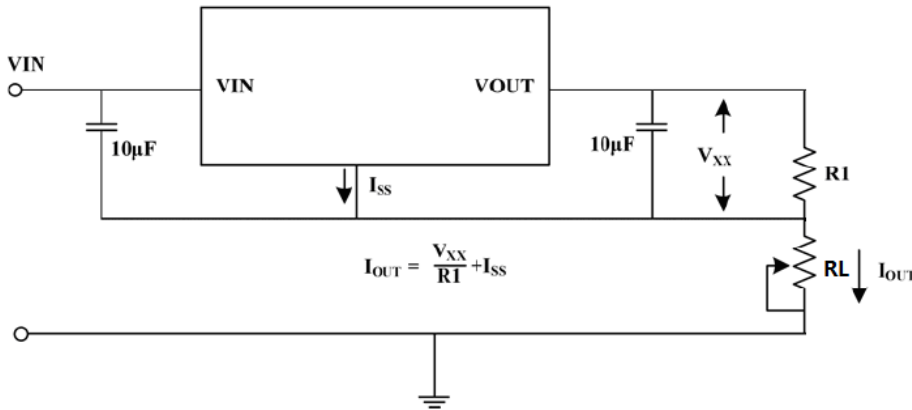


典型应用电路 / Typical Application Circuit

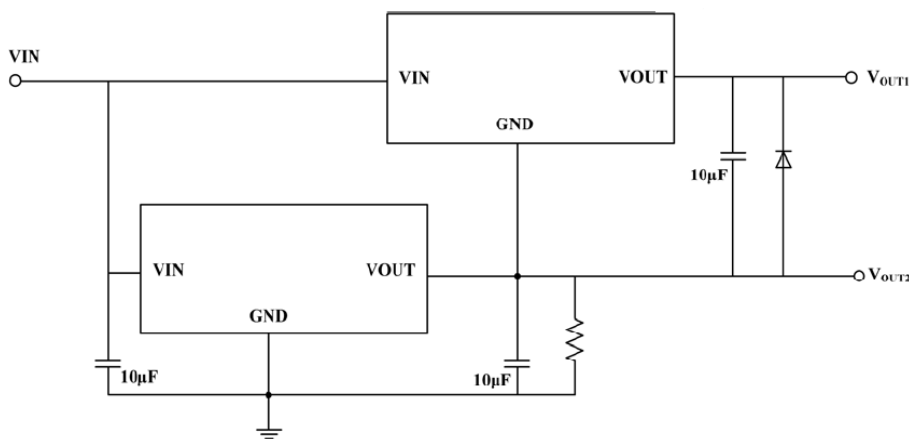
/ Circuit for Increasing Output Voltage



/ Constant Current Regulator



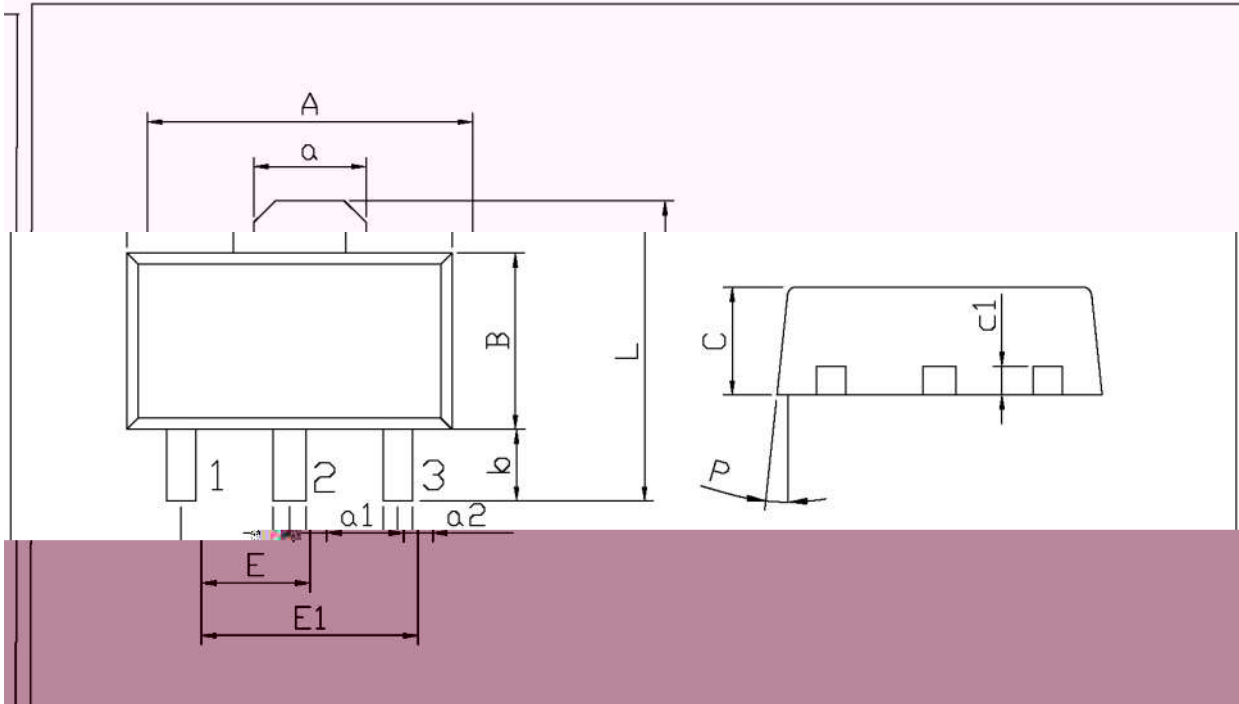
/ Double Output Circuit



外形尺寸图 / Package Dimensions

SOT-89

单位: mm.

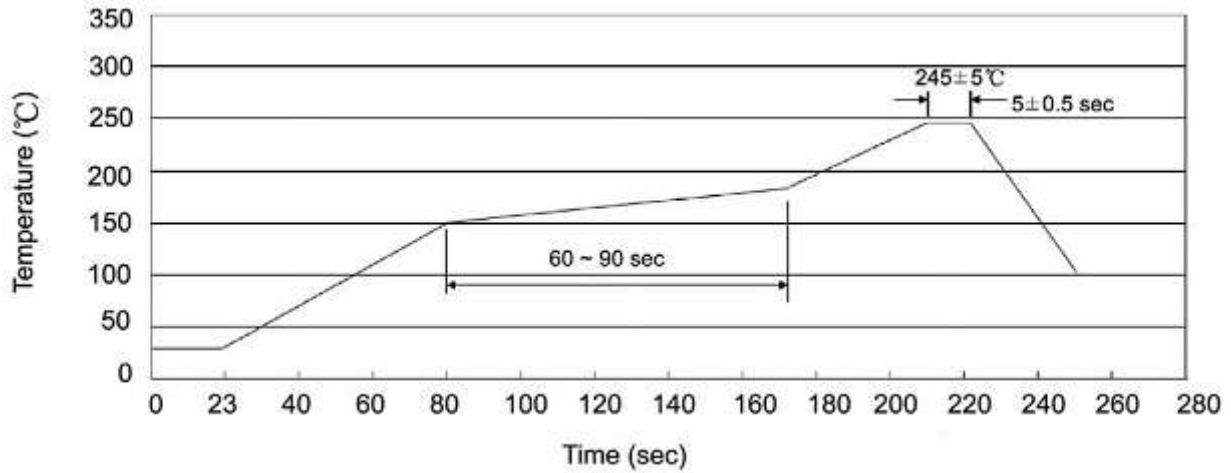


Symbol	Dimensions In Millimeters		Symbol	Dimensions In Millimeters	
	Min	Max		Min	Max
A	4.4	4.7	a1	0.36	0.56
B	2.35	2.65	a2	0.30	0.50
L	3.878	4.478	C	1.40	1.70
a	1.45	1.65	c1	0.35	0.50
E	1.40	1.60	P	6°	
E1	2.80	3.20			
b	0.80	1.20			

印章说明 / Marking Instructions

. o b

回流焊温度曲线图(无铅) / Temperature Profile for IR Reflow Soldering(Pb-Free)



Note:

- | | | | | | |
|---|-------|-----|-------|--------|---|
| 1 | 25 | 150 | 60 | 90sec; | 1.Preheating:25~150 , Time:60~90sec. |
| 2 | 245±5 | | 5±0.5 | sec; | 2.Peak Temp.:245±5 , Duration:5±0.5sec. |
| 3 | | 2 | 10 | /sec. | 3. Cooling Speed: 2~10 /sec. |

耐焊接热试验条件 / Resistance to Soldering Heat Test Conditions

260±5 10±1 sec. Temp.:260±5°C Time:10±1 sec

包装规格 / Packaging SPEC.

/ REEL

Package Type 封装形式	Units 包装数量					Dimension 包装尺寸 (unit: mm)		
	Units/Reel 只/卷盘	Reels/Inner Box 卷盘/盒	Units/Inner Box 只/盒	Inner Boxes/Outer Box 盒/箱	Units/Outer Box 只/箱	Reel	Inner Box 盒	Outer Box 箱
SOT-89	1,000	7	7,000	8	56,000	7" ×12	180×120×180	385×257×392

使用说明 / Notices