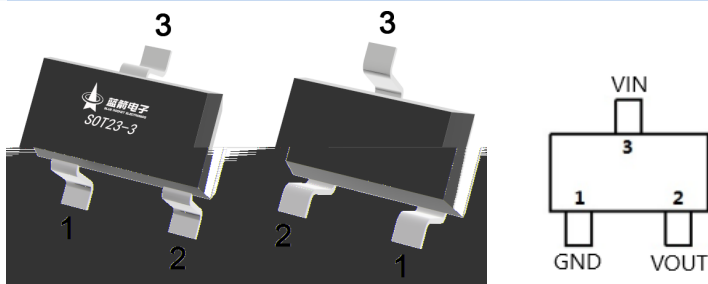
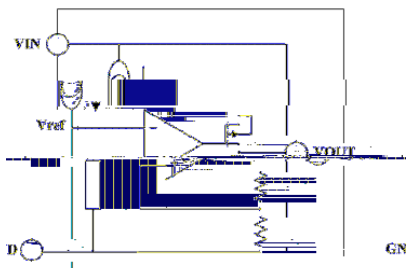


SOT23-3

Low dropout linear regulator in a SOT23-3 Plastic Package .

2uA
 200mA
 450mV@ 100mA ($V_{OUT}=5.0V$)
 $\pm 2\%$
 70dB@ 1kHz
 90uV_{RMS} 10Hz~100kHz

For use in power equipment,Communication equipment,Audio and video equipment.



1	GND		3	VIN	
2	VOUT				

See Marking Instructions.

	V_{IN}	-0.3 to 40	V
	I_{OUT}	200	mA
	P_D	0.6	W
	T_{stg}	-40 to +125	°C
	T_A	-40 to +85	
10s	T_{sold}	260	°C
	HBM	2	kV
	MM	200	V

Notes: If the device operating conditions over the maximum rating of the above-mentioned conditions, may cause permanent damage to the device. The above parameters is only part of the operating conditions the maximum, we do not recommend the device running outside the scope of this specification. If the device to work long hours under the condition of absolute maximum limit, its stability may be affected.

	V_{IN}				36	V
1	$V_{OUT\ E}$	$I_{OUT}=10mA$	4.9	5.0	5.1	V
2	V_{dif}	$I_{OUT}=100mA$ $V_{OUT}=5.0V$		450		mV
	I_{SS}	$I_{OUT}=0mA$		2	5	uA
	V_{load}	$V_{IN}=V_{OUT\ s} +2V$ $1mA\ I_{OUT}\ 200mA$		20	50	mV
	V_{line}	$I_{OUT}=10mA$ $V_{OUT\ s} +2V\ V_{IN}$ 36V		10	50	mV
	$V_{OUT}/$ ($T_A * V_{OUT}$)	$I_{OUT}=10mA$ -40 T_A 85		50		ppm/
	I_{LIM}	$V_{OUT}=0.5 \times$ $V_{OUT(Normal)}, V_{IN} = 7.0V$		300		mA
	I_{SHORT}	$V_{OUT}=V_{SS}$		100		mA

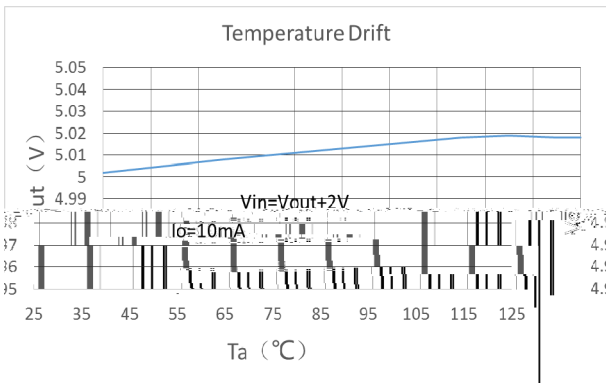
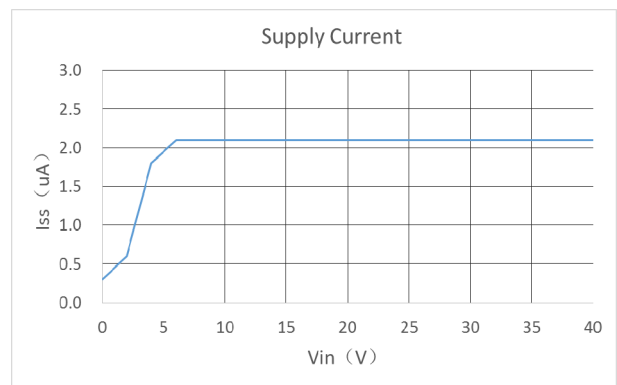
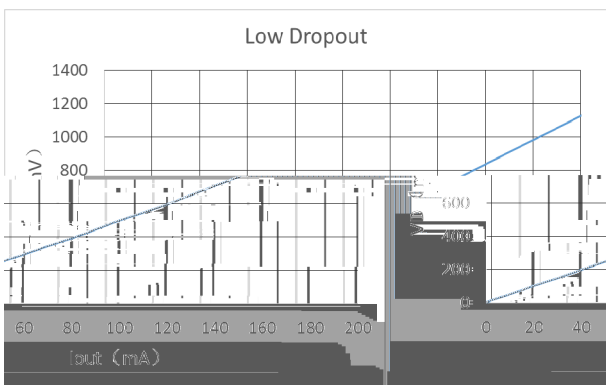
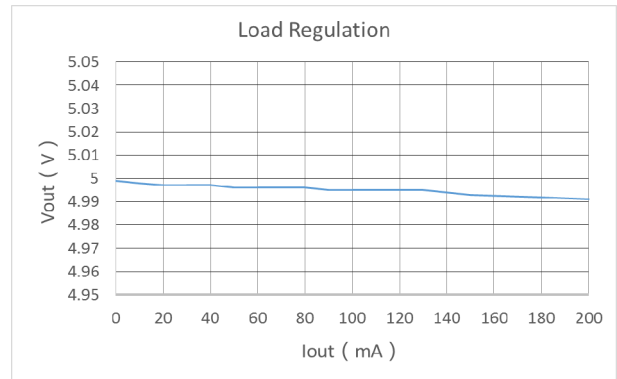
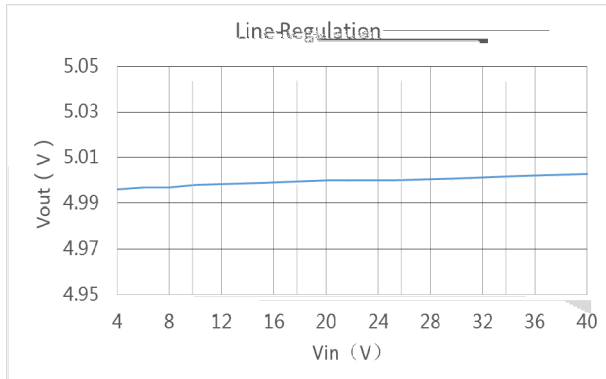


	PSRR	$I_{OUT}=50mA$ $f=100Hz$		80		dB
		$I_{OUT}=50mA$ $f=1kHz$		70		
		$I_{OUT}=50mA$ $f=10kHz$		60		
		$I_{OUT}=50mA$ $f=100kHz$		50		
	V_{ON}	BW=10Hz to 100kHz		90		μV_{RMS}

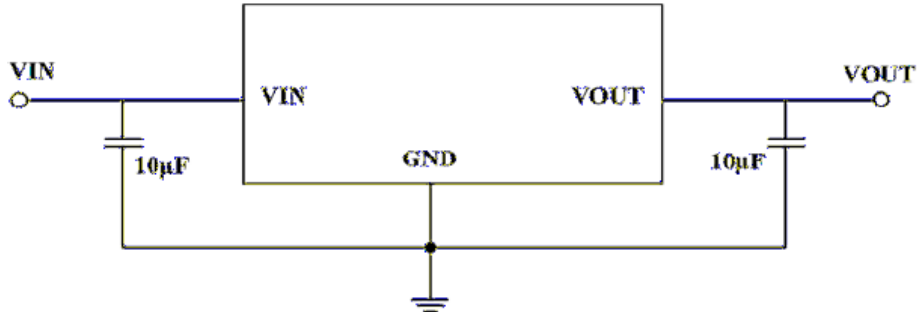
 (1) $V_{OUT E}$
 $V_{OUT S}$

(2)

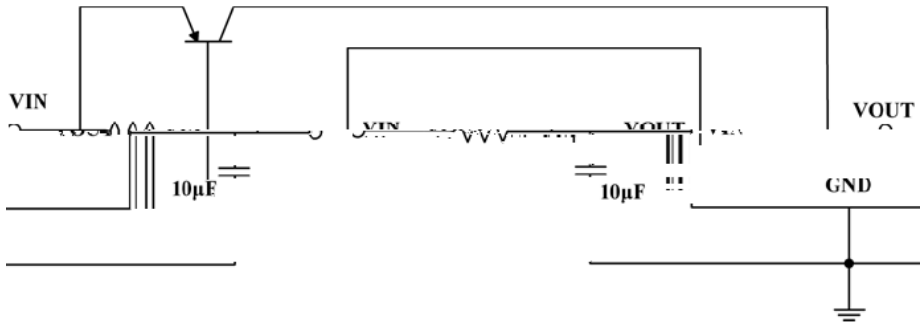
 V_{OUT}
 $V_{OUT} * 98\%$



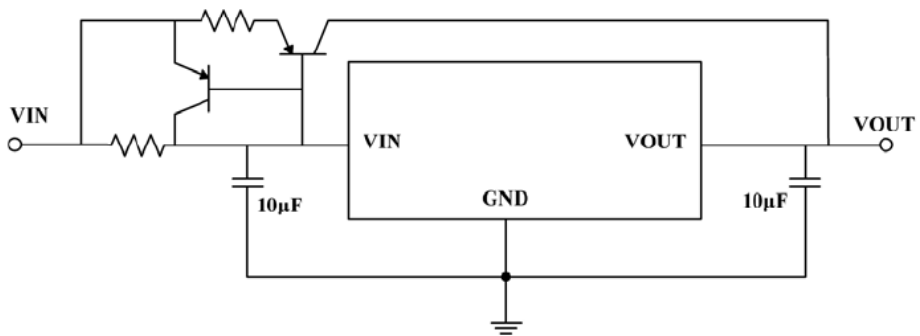
/ Basic Application



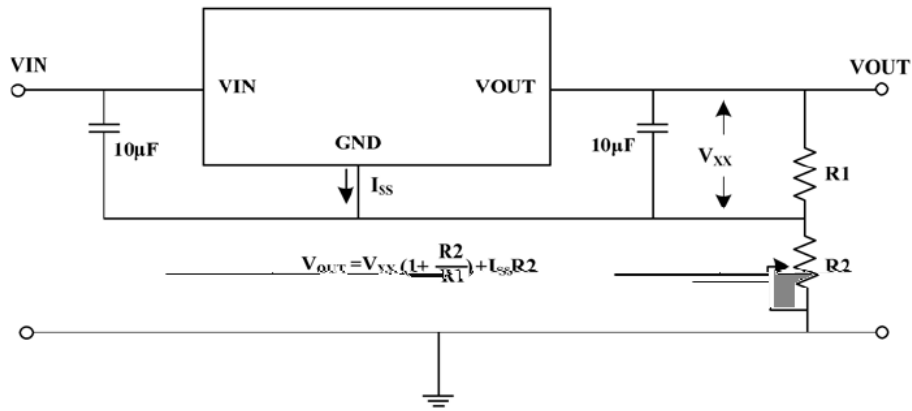
/ High Output Current Voltage Regulator



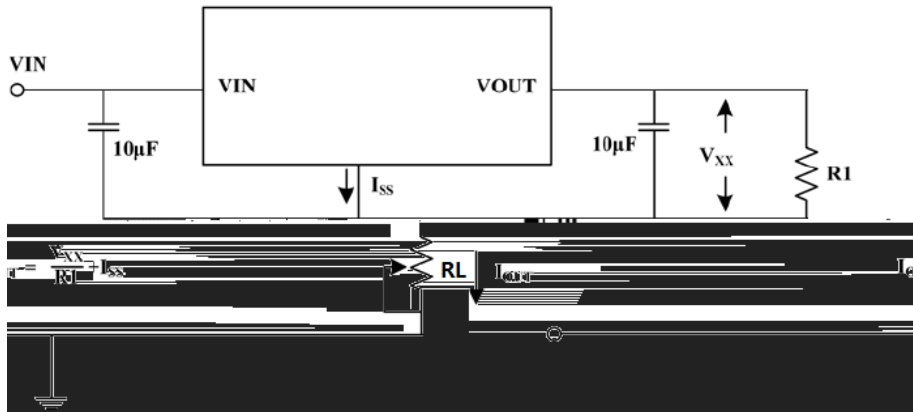
/ Short-Circuit Protection



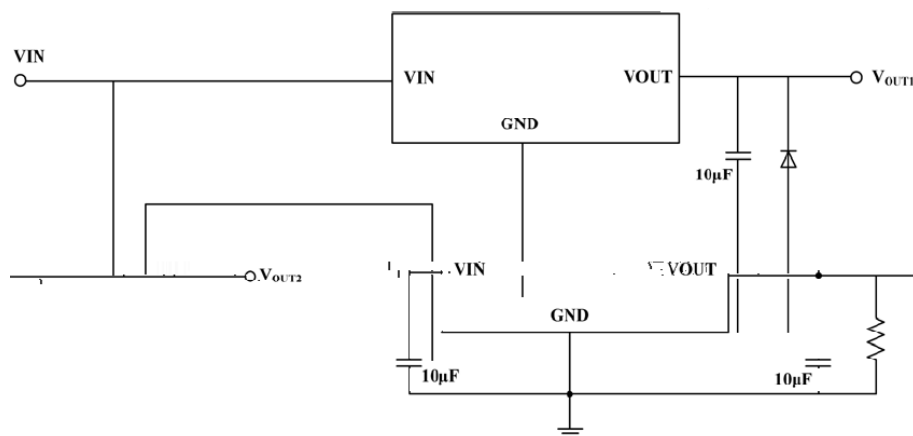
/ Circuit for Increasing Output Voltage



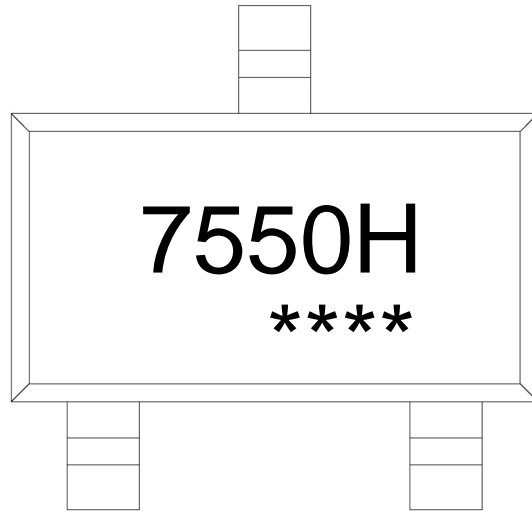
/ Constant Current Regulator



/ Double Output Circuit





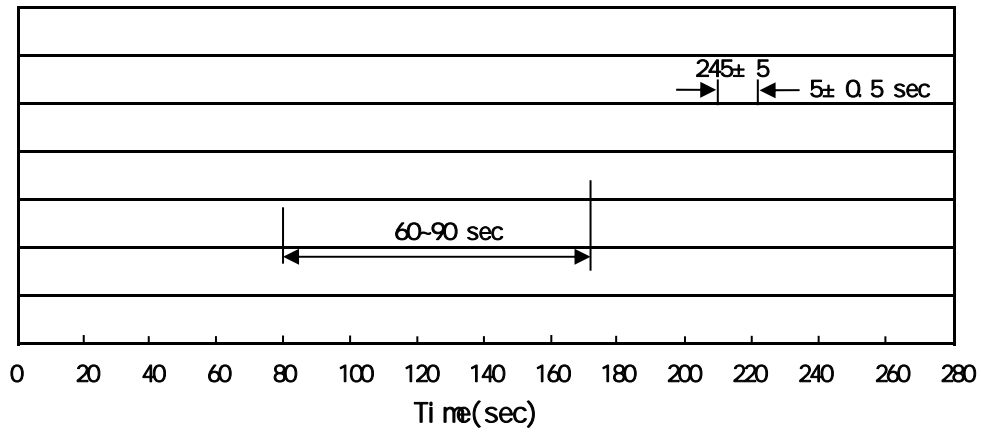


7550H

Note:

7550H: Product Type Code

****: Lot No. Code, code change with Lot No



Note:

- | | | | | | |
|---|-------|-----|-----------|--------|---|
| 1 | 150 | 180 | 60 | 90sec; | 1.Preheating:150~180 , Time:60~90sec. |
| 2 | 245±5 | | 5±0.5sec; | | 2.Peak Temp.:245±5 , Duration:5±0.5sec. |
| 3 | | 2 | 10 | /sec. | 3. Cooling Speed: 2~10 /sec. |

260±5

10±1 sec.

Temp.:260±5

Time:10±1 sec

/ REEL

Package Type	Units					Dimension (unit mm ³)		
	Units/Reel	Reels/Inner Box	Units/Inner Box	Inner Boxes/Outer Box	Units/Outer Box	Reel	Inner Box	Outer Box
SOT23-3	3,000	10	30,000	4	120,000	7 x8	210x205x205	445x435x230