

BRC07550MC

SOT23-3

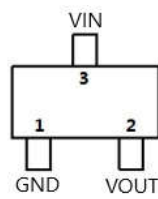
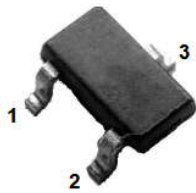
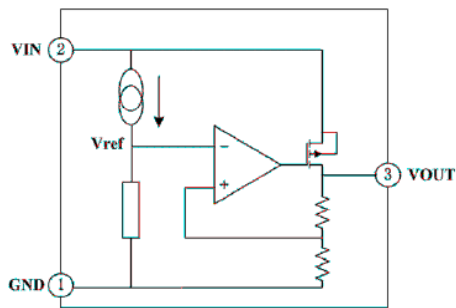
30V

2.5 μ A

$\pm 2\%$

μ

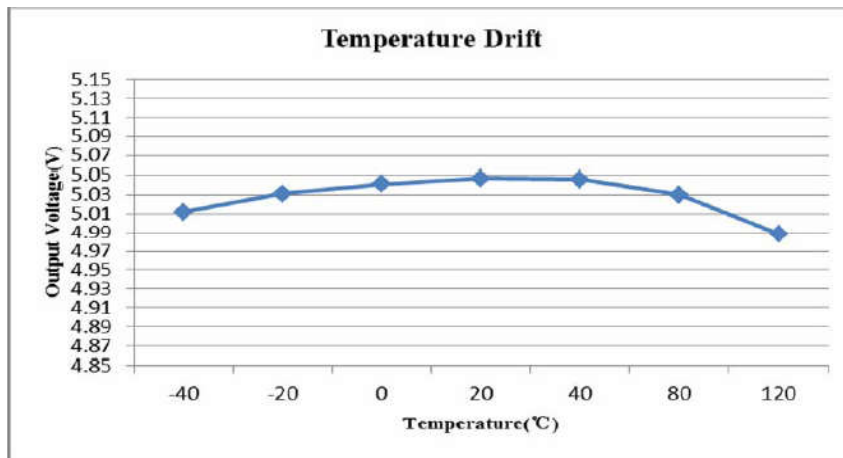
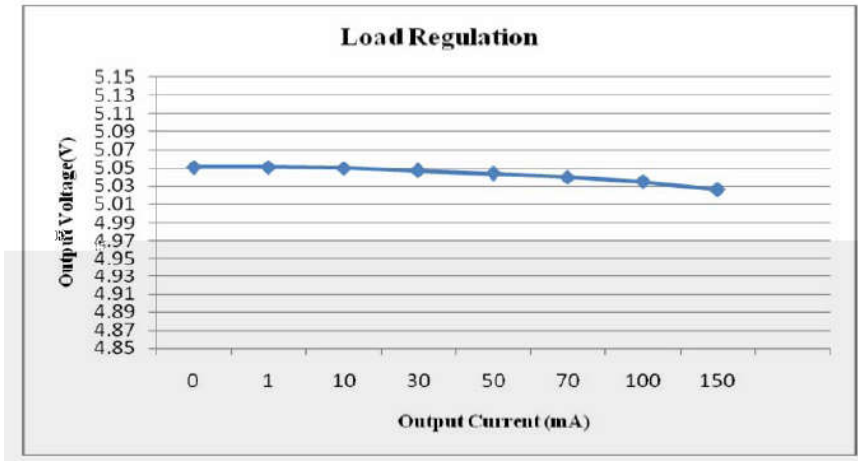
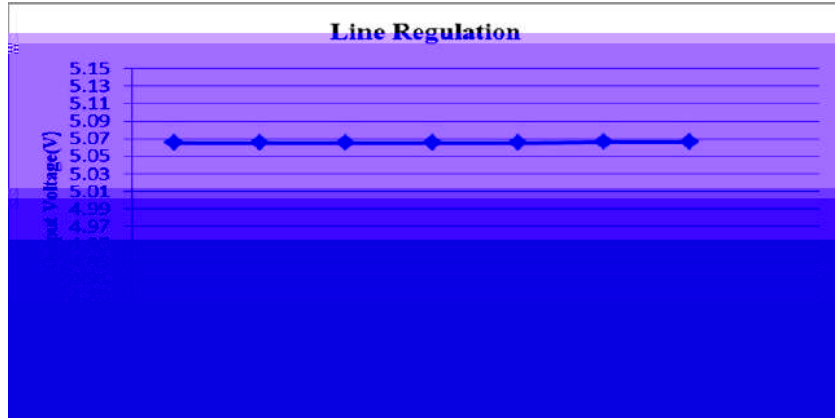
: $\pm 2\%$



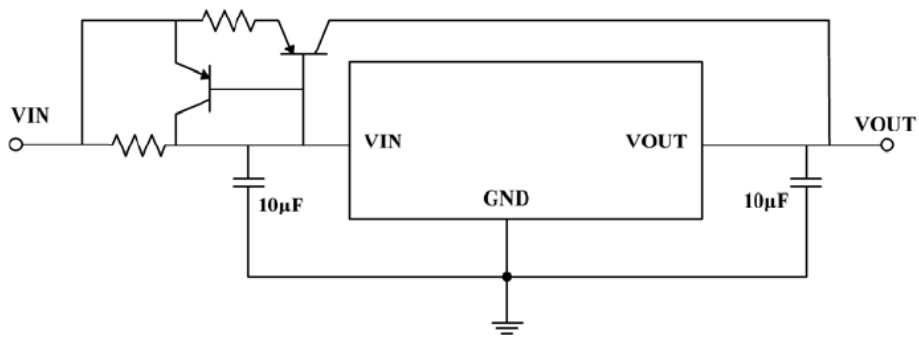
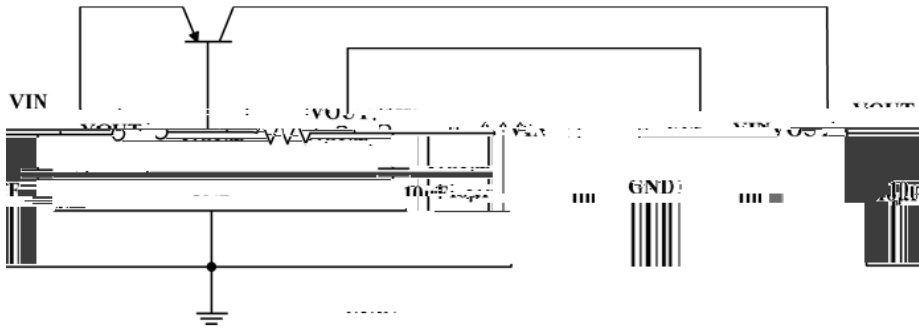
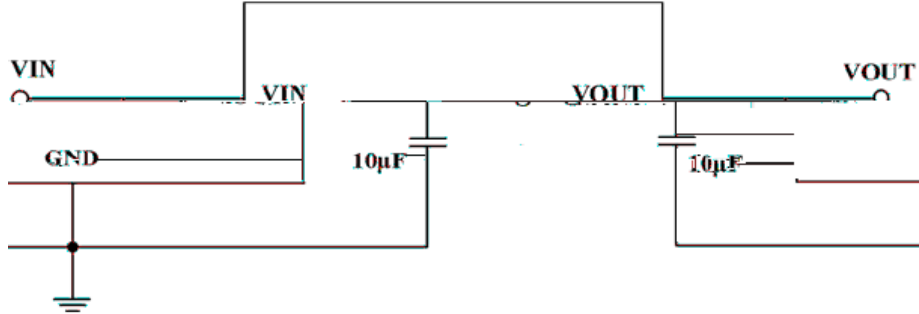
BRC07550MC

			°C
			°C
			°C

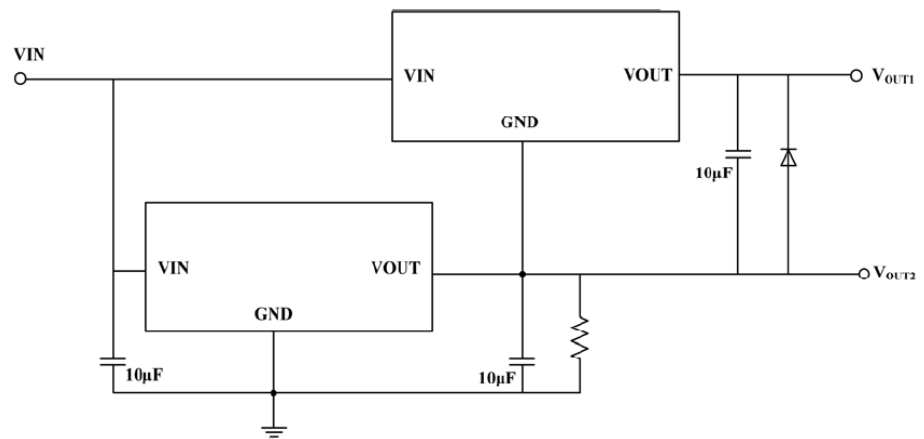
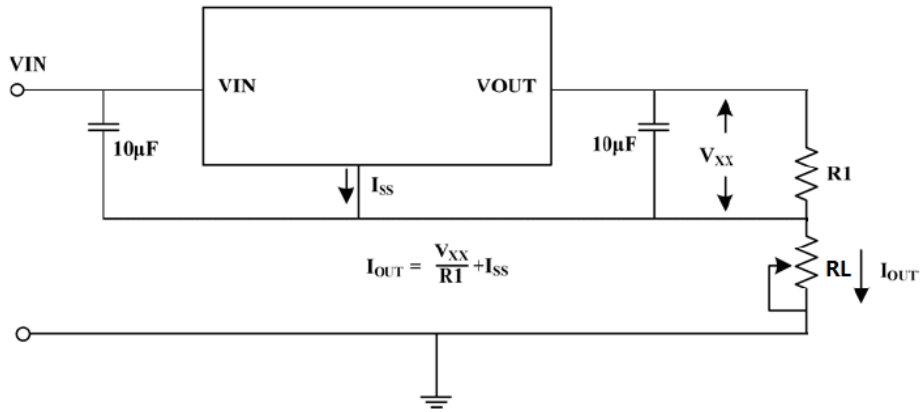
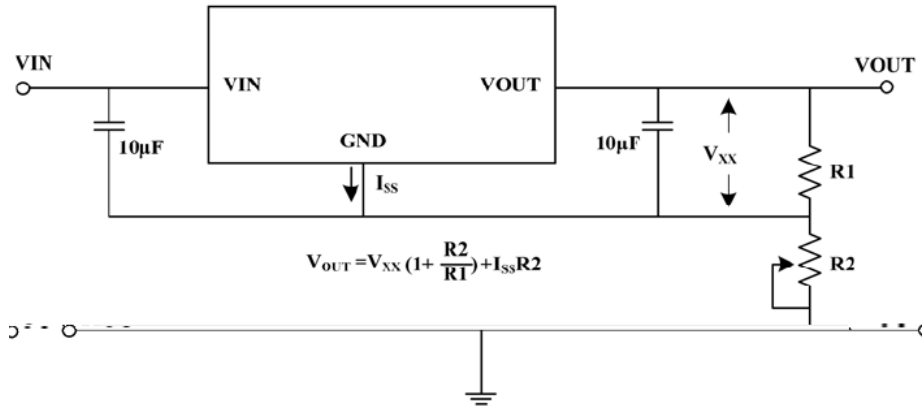
/ Electrical Characteristic Curve



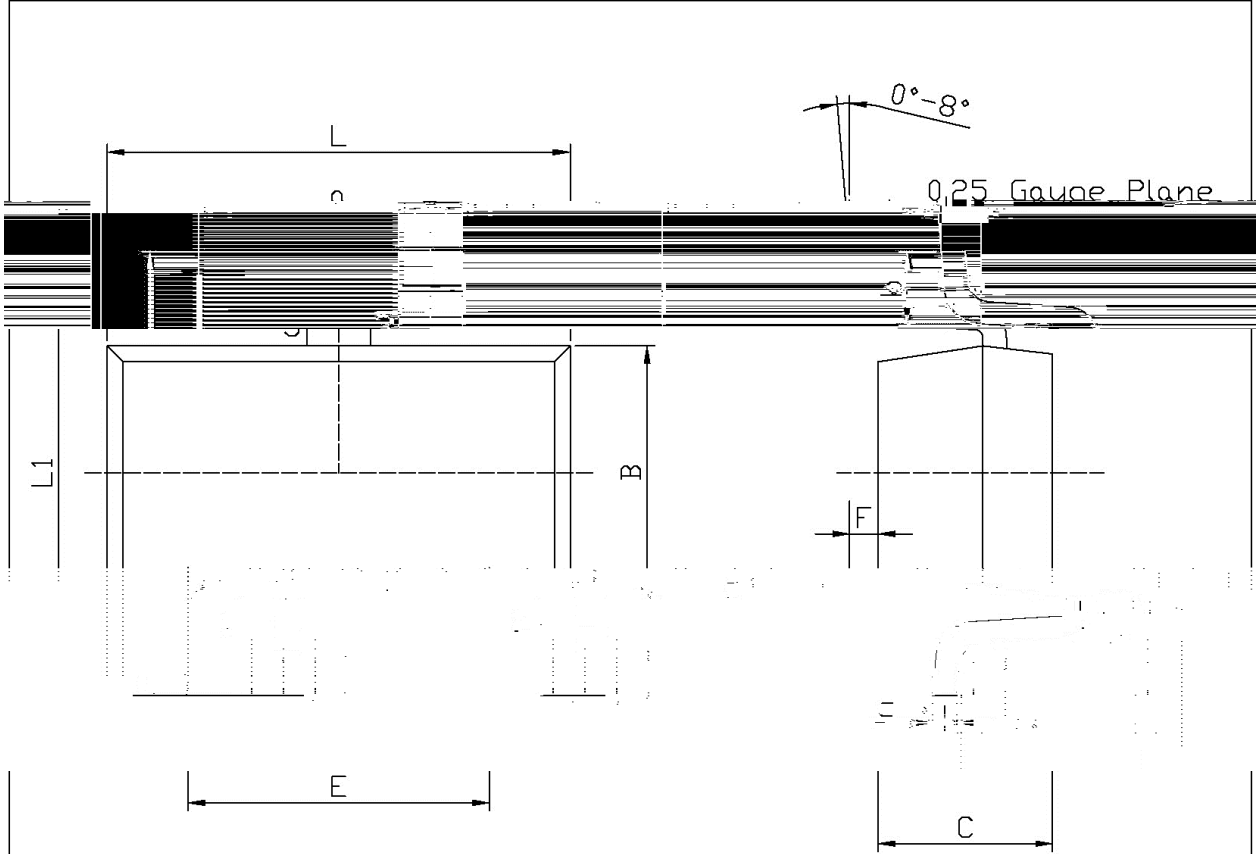
/ Typical Application Circuit



/ Typical Application Circuit



/ Package Dimensions

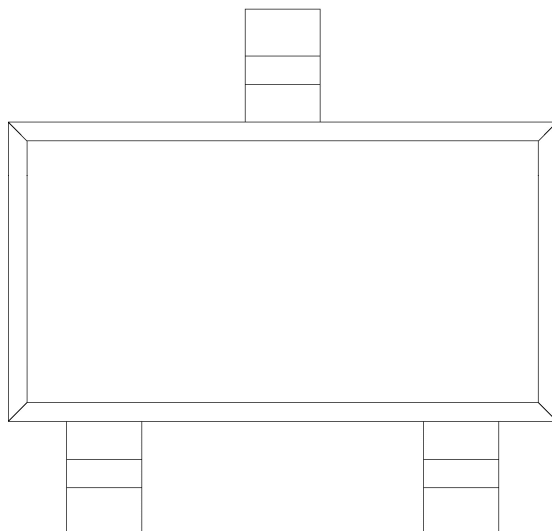


Unit: mm

Symbol	Dimensions In Millimeters		Symbol	Dimensions In Millimeters	
	Min	Max		Min	Max
L	2.82	3.02	a	0.35	0.50
B	1.50	1.70	c	0.10	0.20
C	0.90	1.30	b	0.35	0.55
L1	2.60	3.00	F	0	0.15

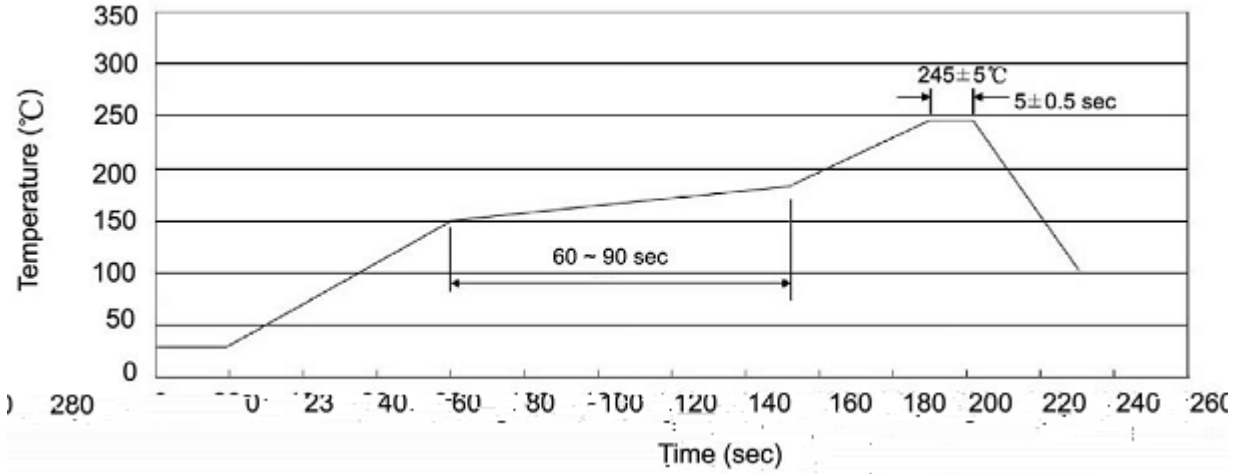
SOT23-3

/ Marking Instructions



7550

() / Temperature Profile for IR Reflow Soldering(Pb-Free)



± ± ± ±

/ Resistance to Soldering Heat Test Conditions

± ± ± ±

/ Packaging SPEC.

封装形式	包装数量					包装尺寸		
	Units/Reel	Reels/Inner Box	Units/Inner Box	Inner Boxes/Outer Box	Units/Outer Box	Reel	Inner Box	Outer Box
SOT23-3	3,000	10	30,000	4	120,000	7 × 8	210× 205× 205	435× 225× 420

/ Notices