

# BRC07550MMC

Rev.C Mar.-2026

SOT23-3

Low dropout linear regulator in a SOT23-3 Plastic Package.

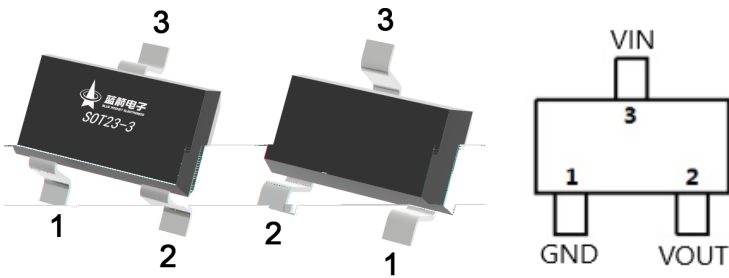
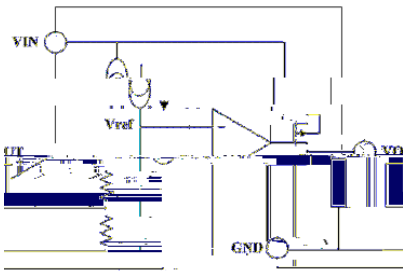
24V

1.5 $\mu$ A

$\pm 2\%$

Low power consumption,Low voltage drop,Small temperature drift coefficient,High input voltage up to 24V,The static current 1.5 $\mu$ A,The output voltage accuracy: $\pm 2\%$ ,HF Product.

For use in power equipment,Communication equipment,Audio and video equipment.



1	GND		3	VIN	
2	VOUT				

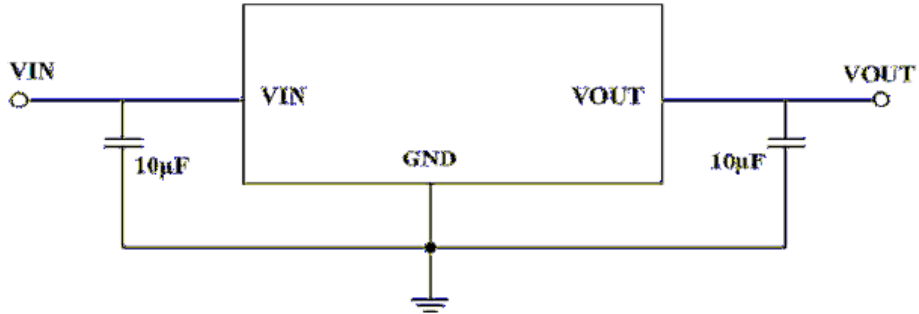
## / Marking

See Marking Instructions.

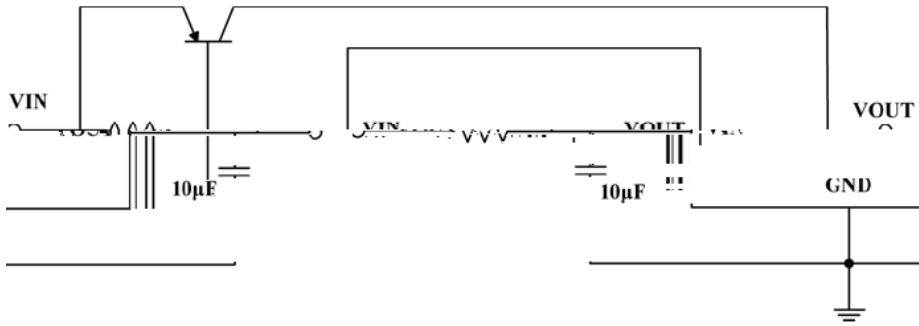


**/ Typical Application Circuit**

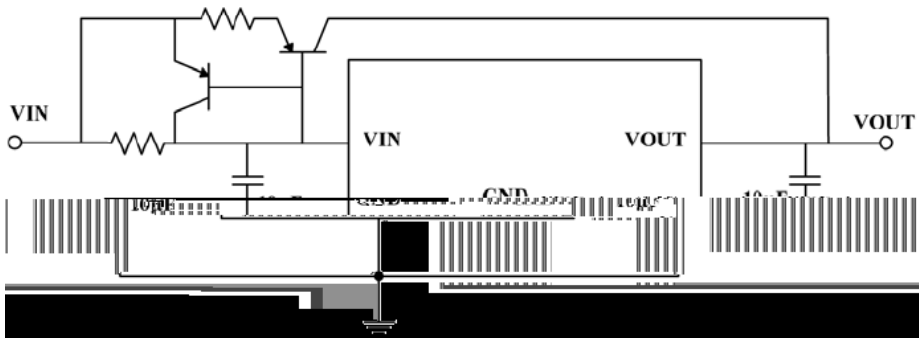
/ Basic Application



/ High Output Current Voltage Regulator

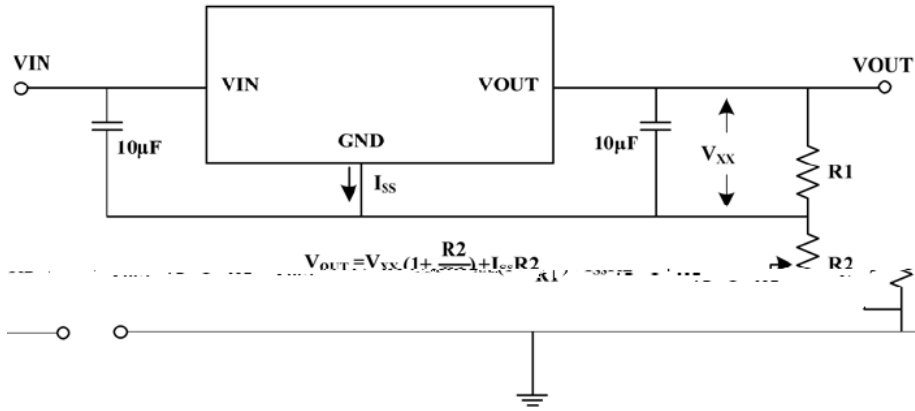


/ Short-Circuit Protection

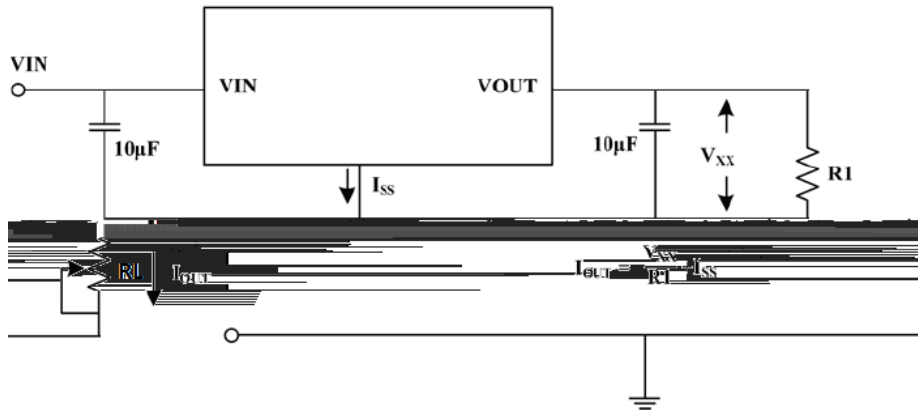


**/ Typical Application Circuit**

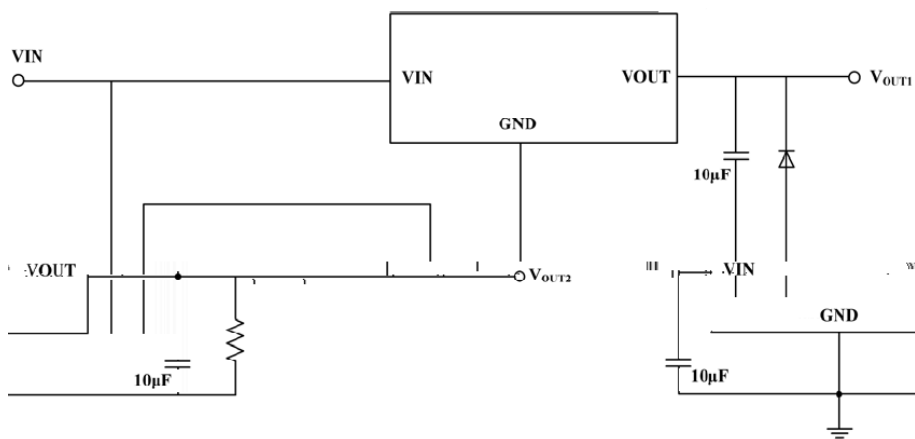
/ Circuit for Increasing Output Voltage



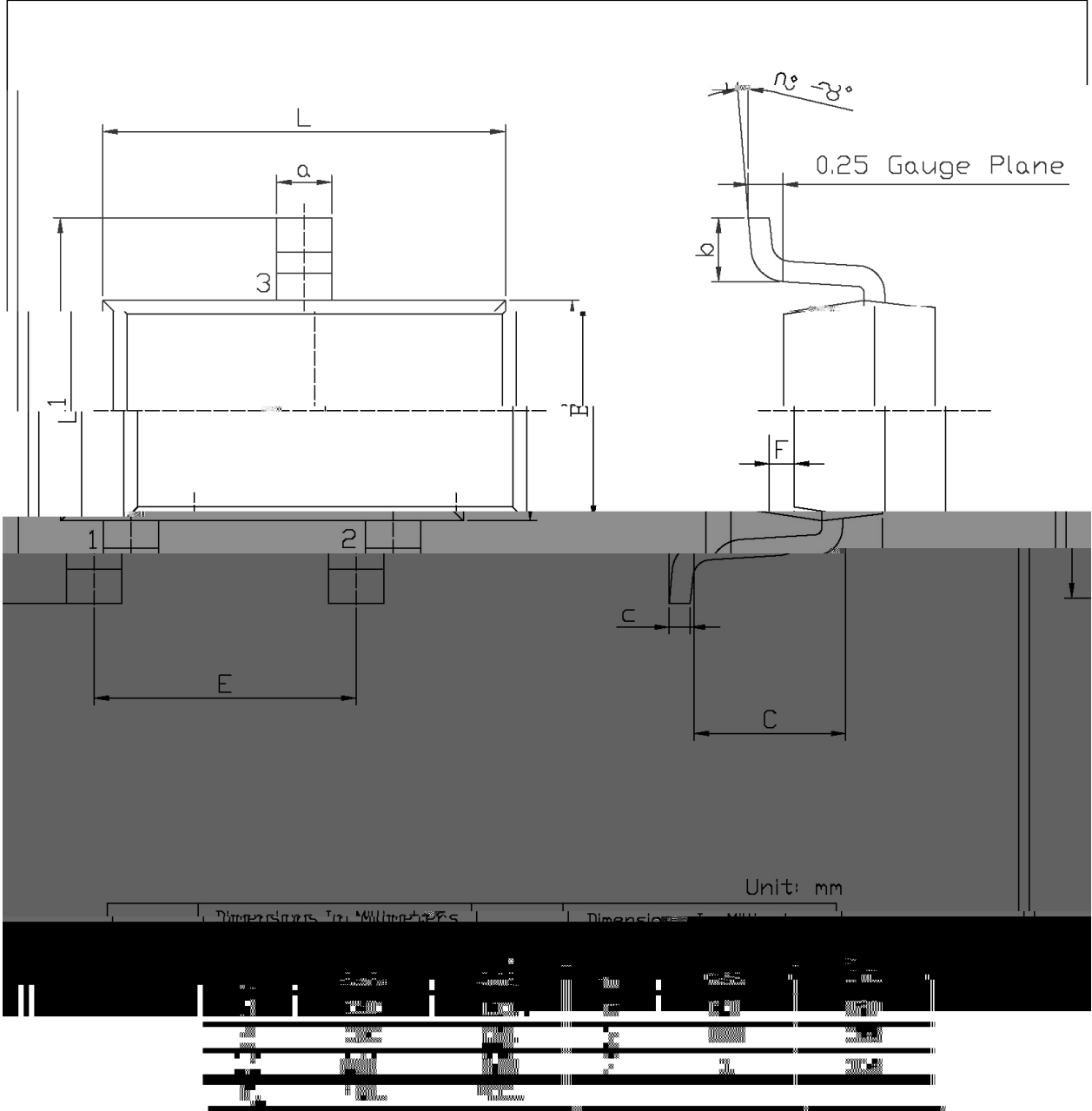
/ Constant Current Regulator



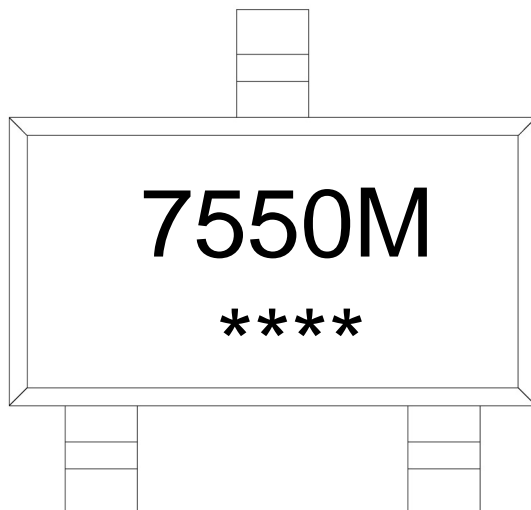
/ Double Output Circuit



/ Package Dimensions



**/ Marking Instructions**



7550M

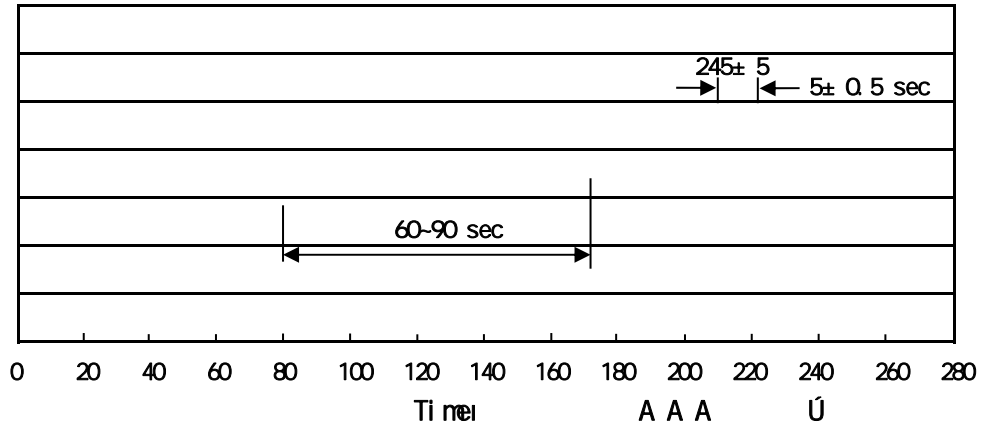
\*\*\*\*

Note:

7550M: Product Type Code

\*\*\*\*: Lot No. Code, code change with Lot No

**( ) / Temperature Profile for IR Reflow Soldering(Pb-Free)**



Note:

- 1      150 180      60 90sec;      1.Preheating:150~180 , Time:60~90sec.
- 2      245±5      5±0.5sec;      2.Peak Temp.:245±5 , Duration:5±0.5sec.
- 3      2 10 /sec.      3. Cooling Speed: 2~10 /sec.

**/ Resistance to Soldering Heat Test Conditions**

260±5      10±1 sec.      Temp.:260±5      Time:10±1 sec

**/ Packaging SPEC.**

/ REEL

Package Type	Units					Dimension (unit mm <sup>3</sup> )		
	Units/Reel	Reels/Inner Box	Units/Inner Box	Inner Boxes/Outer Box	Units/Outer Box	Reel	Inner Box	Outer Box
SOT23-3	3,000	10	30,000	4	120,000	7 x8	210x205x205	445x435x230

**/ Notices**