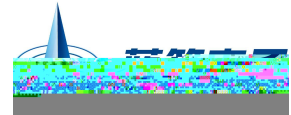




# BRCO7550RTA

Rev.A May.-2022



DATA SHEET

## / Descriptions

Low dropout linear regulator in a SOT-89 Plastic Package.

## / Features

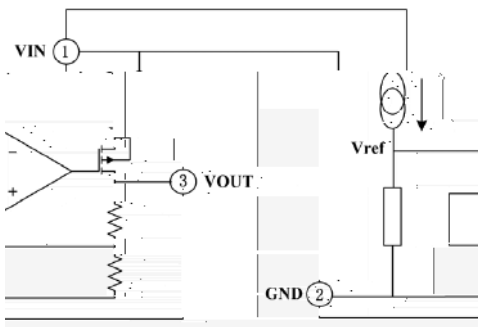
±

Low power consumption,Low voltage drop,Small temperature drift coefficient,High input voltage up to 30V,The static current 2.5 A,The output voltage accuracy .HF Product.

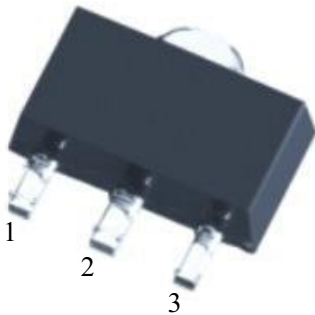
## / Applications

For use in power equipment,Communication equipment,Audio and video equipment.

## / Equivalent Circuit



## / Pinning



PIN1 VIN      PIN 2 GND      PIN 3 VOUT

## / Marking

See Marking Instructions.



Parameter	Symbol	Rating	Unit
Working Voltage	$V_{IN}$	-0.3~33	V
Thermal Resistance	$R_{JA}$	200	$^{\circ}C/W$
Power Consumption	$P_W$	500	mW
Storage Temperature	$T_{STG}$	-50~+125	$^{\circ}C$
Working Temperature	$T_A$	-40~+85	$^{\circ}C$

V

Notes: If the device operating conditions over the maximum rating of the above-mentioned conditions, may cause permanent damage to the device. The above parameters is only part of the operating conditions the maximum, we do not recommend the device running outside the scope of this specification. If the device to work long hours under the condition of absolute maximum limit, its stability may be affected.

Parameter	Symbol	Test Conditions	Min	Typ	Max	Unit
The Output Voltage	$V_{OUT}$	$V_{IN}=7.0V, I_{OUT}=10mA$	4.90	5.00	5.10	V
The Output Current	$I_{OUT}$	$V_{IN}=7.0V$	150			mA
Load Regulation	$\Delta V_{OUT}$	$V_{IN}=7.0V$ $1mA \leq I_{OUT} \leq 150mA$		25	60	mV
Low Dropout	$V_{DIF}$	$I_{OUT}=1mA, \Delta V_{OUT}=2\%$		25	55	mV
Static Power	$I_{SS}$	$V_{IN}=7.0V$		2.5	4.0	$\mu A$

Linear Regulation  $\frac{\Delta V_{OUT}/V_{OUT}^*}{\Delta V_{IN}}$   $7.0V \leq V_{IN} \leq 30V$   
 $I_{OUT}=10mA$  0.2 %/V

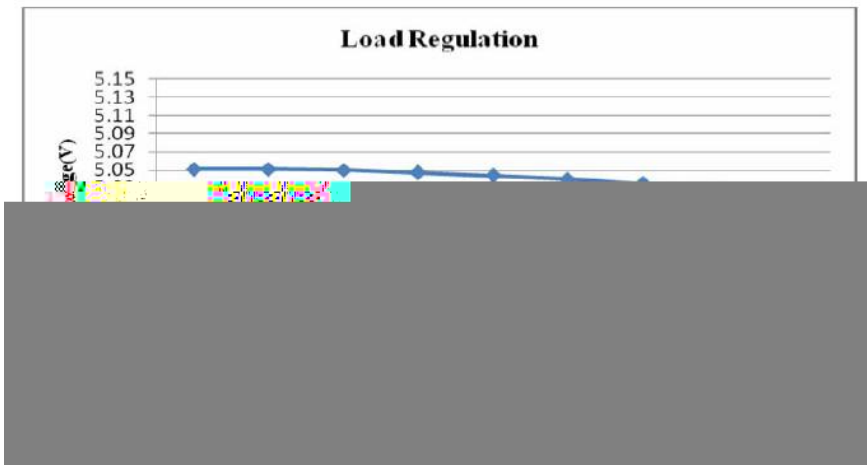
**/ Electrical Characteristic Curve**

/ The input voltage and output voltage



$I_{OUT}=10mA$

/ The output voltage and load current

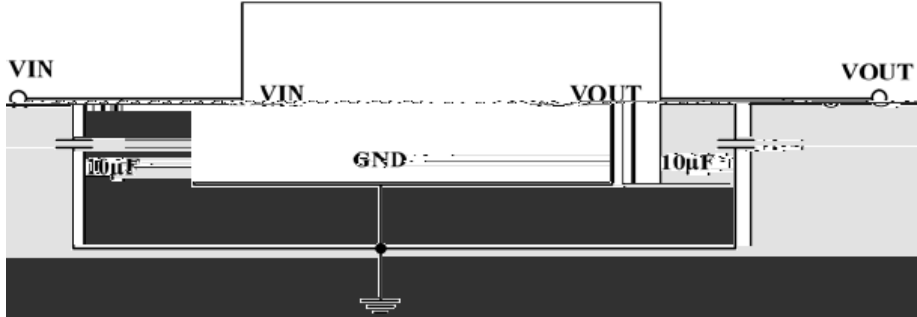


$V_{IN}=7.0V$

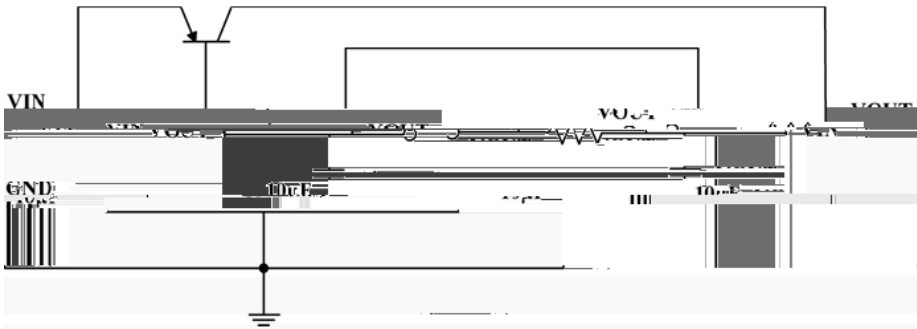
/ The output voltage and temperature

**/ Typical Application Circuit**

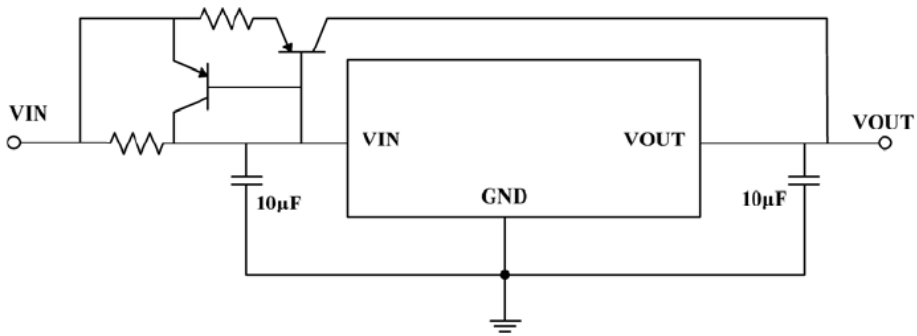
/ Basic Application



/ High Output Current Voltage Regulator

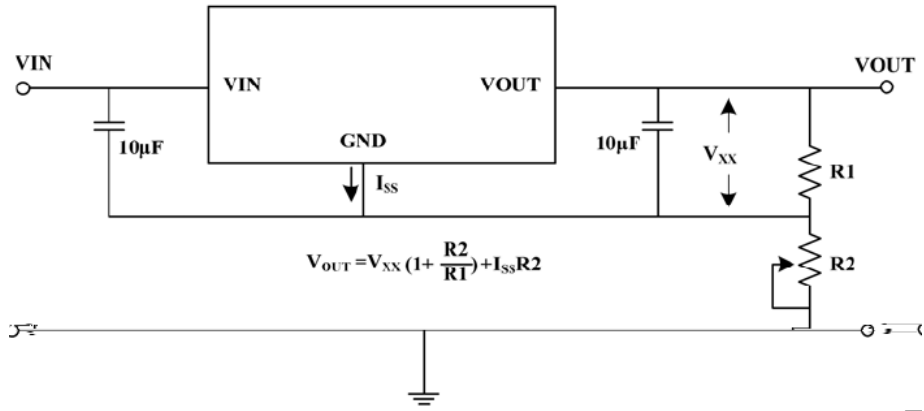


/ Short-Circuit Protection

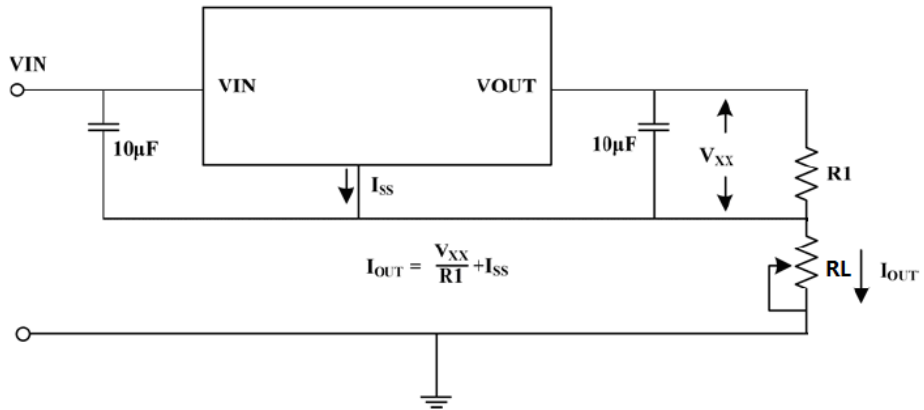


**/ Typical Application Circuit**

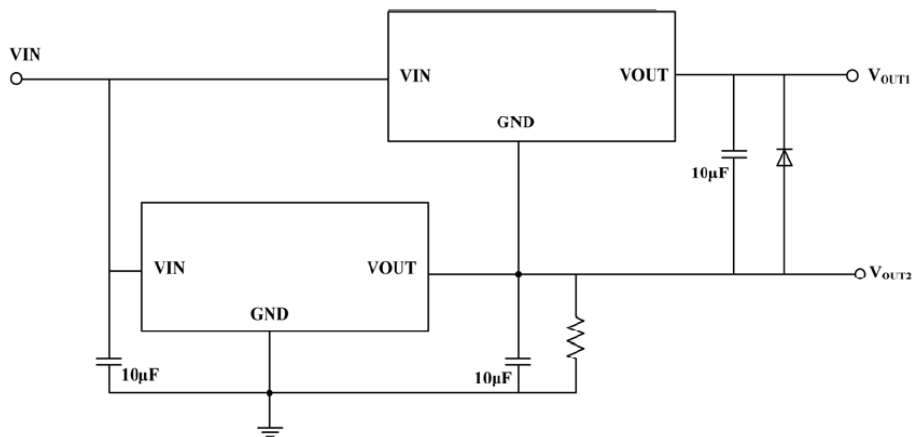
/ Circuit for Increasing Output Voltage



/ Constant Current Regulator



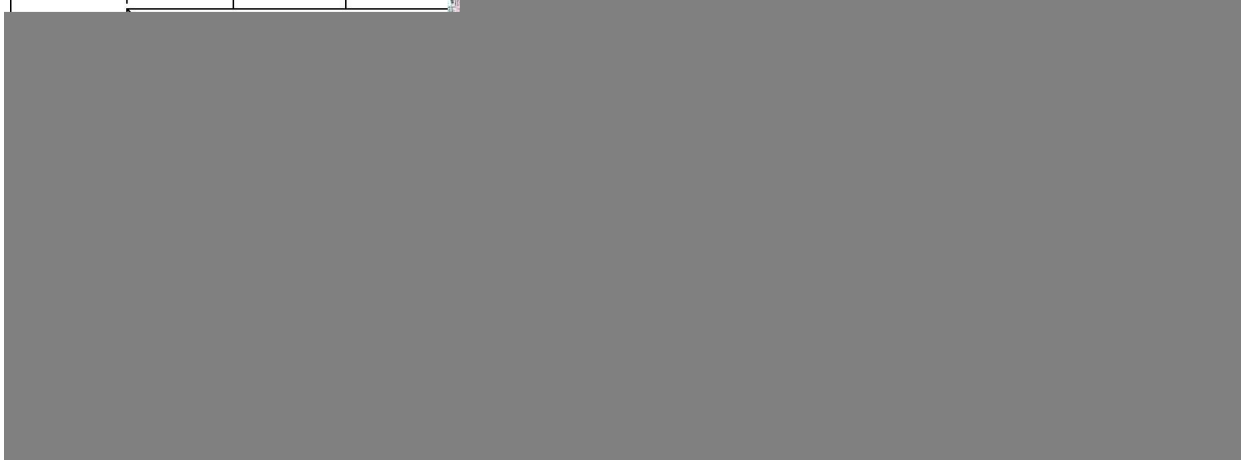
/ Double Output Circuit



**/ Package Dimensions**

SOT-89

单位: mm

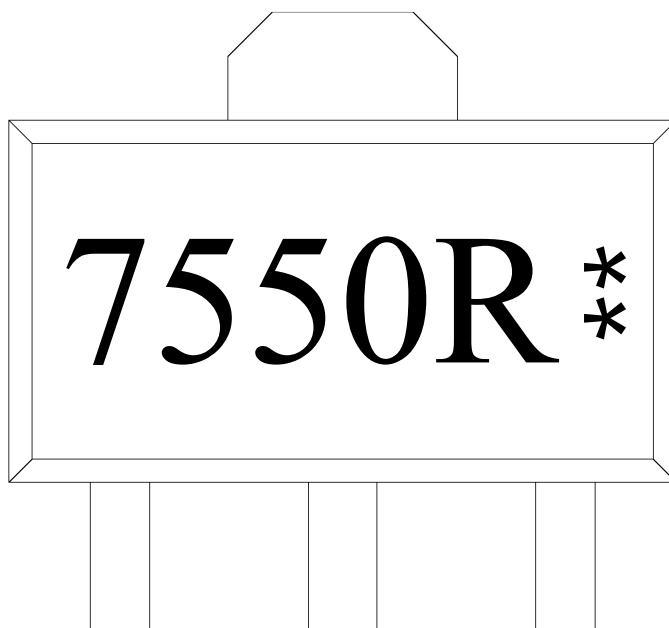


Symbol	Dimensions In Millimeters		Symbol	Dimensions In Millimeters	
	Min	Max		Min	Max
A	4.4	4.7	a1	0.36	0.56
B	2.25	2.65	a	0.28	0.50





**/ Marking Instructions**



7550R

\*\*

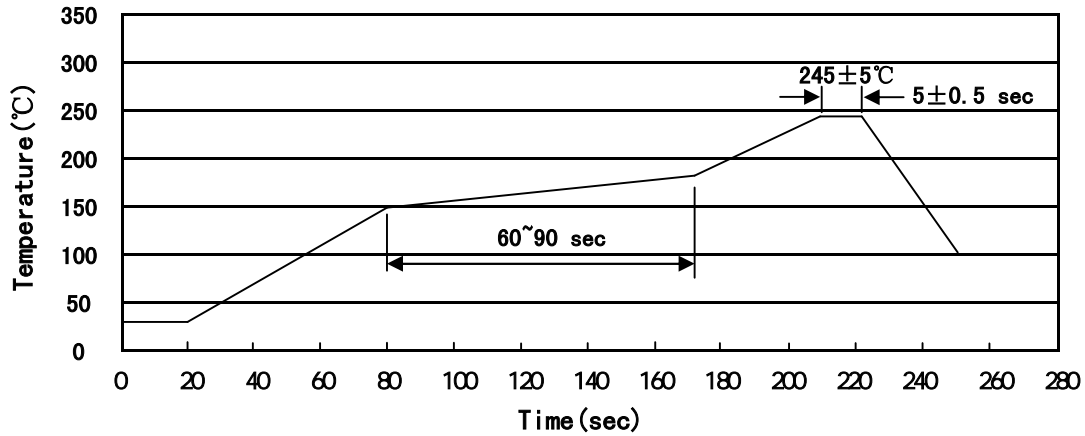
Note:

7550R: Product Type

\*\*: Lot No. Code, code change with Lot No



( ) / Temperature Profile for IR Reflow Soldering(Pb-Free)



Note:

- |   |         |           |  |
|---|---------|-----------|--|
| 1 | 150 180 | 60 90sec; | 1.Preheating:150~180°C, Time:60~90sec.   |
| 2 | 245±5   | 5±0.5sec; | 2.Peak Temp.:245±5°C, Duration:5±0.5sec. |
| 3 | 2       | 10°C/sec. | 3. Cooling Speed: 2~10°C/sec.            |

/ Resistance to Soldering Heat Test Conditions

260±5°C                      10±1 sec.                      Temp.:260±5°C                      Time:10±1 sec

/ Packaging SPEC.

/ REEL

Package Type 封装形式	Units 包装数量					Dimension 包装尺寸 (unit: mm)		
	Units/Reel 只/卷盘	Reels/Inner Box 卷盘/盒	Units/Inner Box 只/盒	Inner Boxes/Outer Box 盒/箱	Units/Outer Box 只/箱	Reel	Inner Box 盒	Outer Box 箱
SOT-89	1,000	7	7,000	6	42,000	7" x12	180x120x180	390x385x205

/ Notices