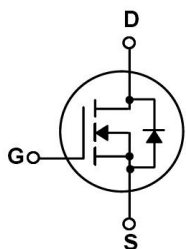


/ Descriptions

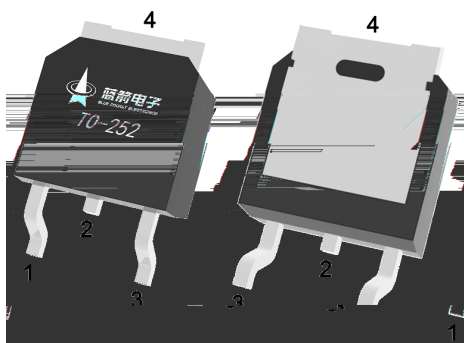
/ Features

/ Applications

/ Equivalent Circuit



/ Pinning

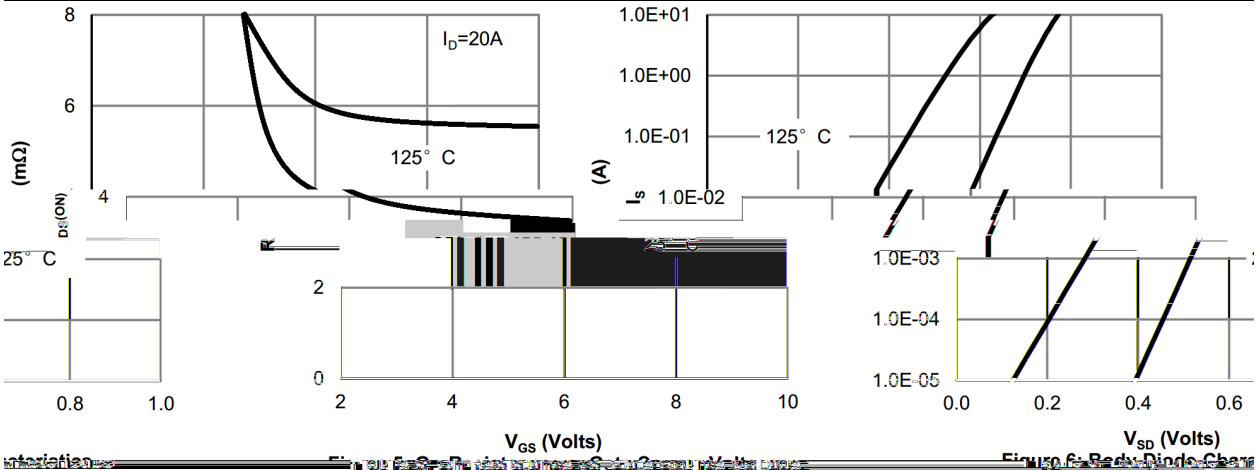
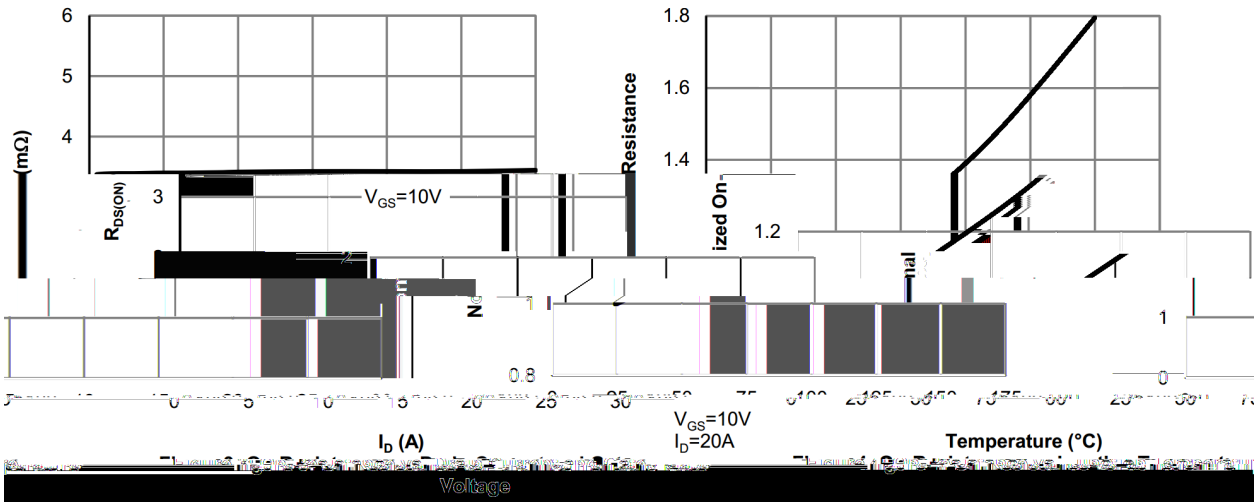
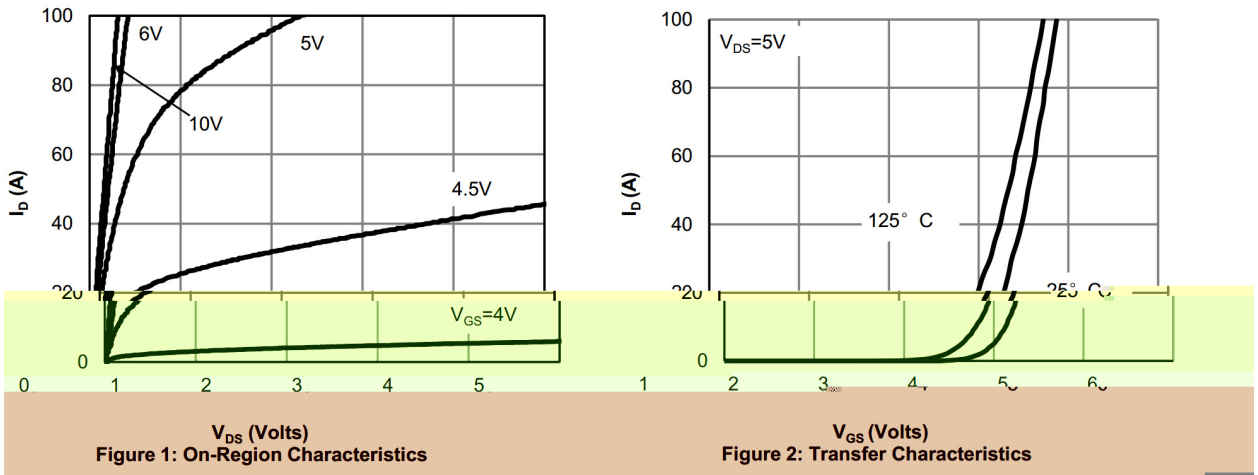


/ Marking

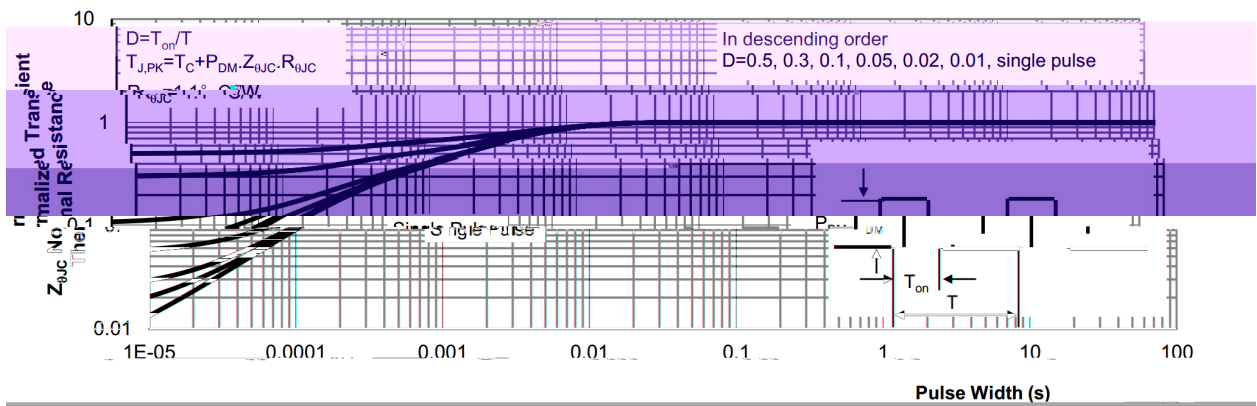
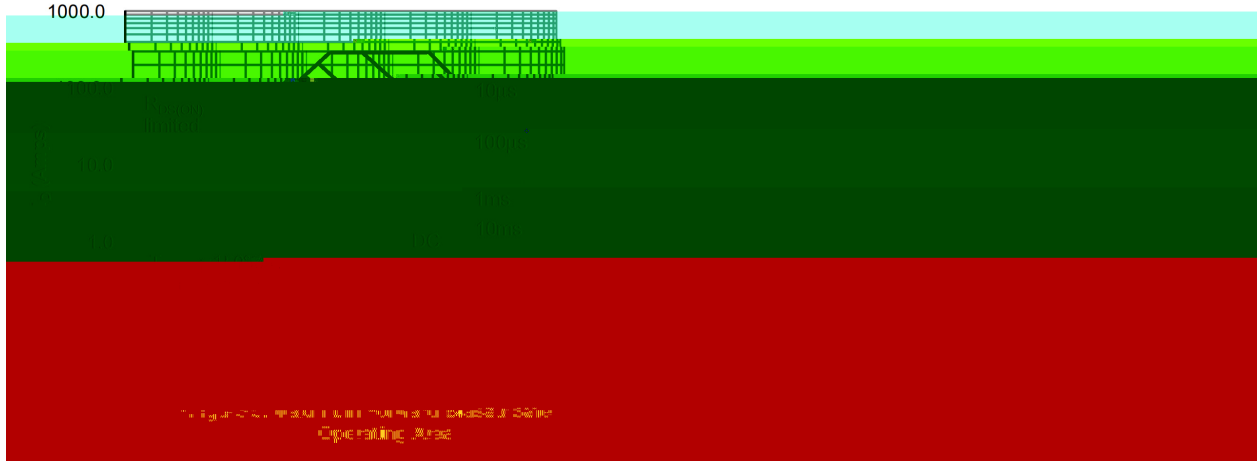
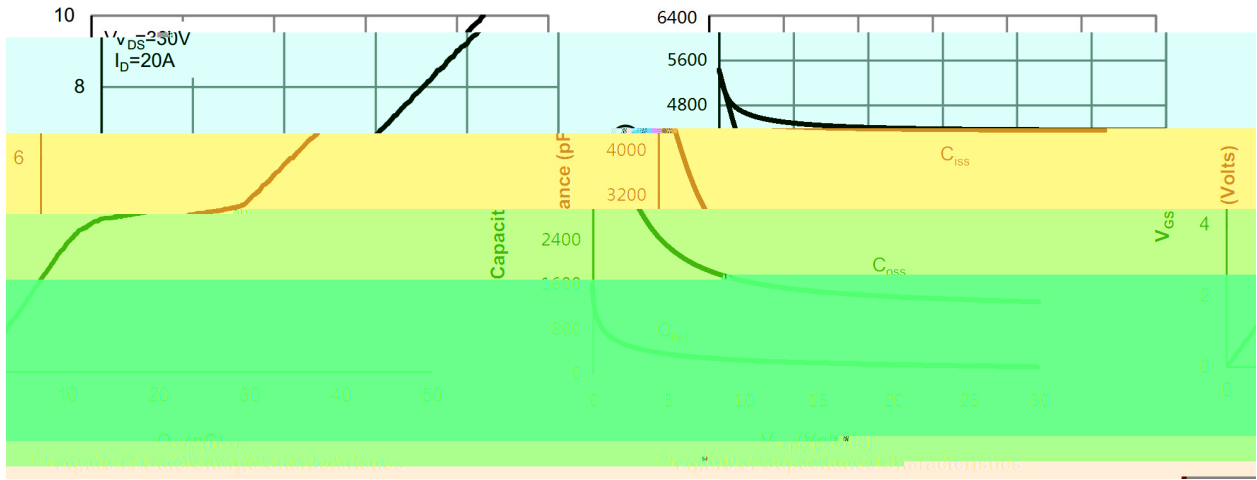
/ Electrical Characteristics(Ta=25)

		Ω	Ω			

/ Electrical Characteristic Curve

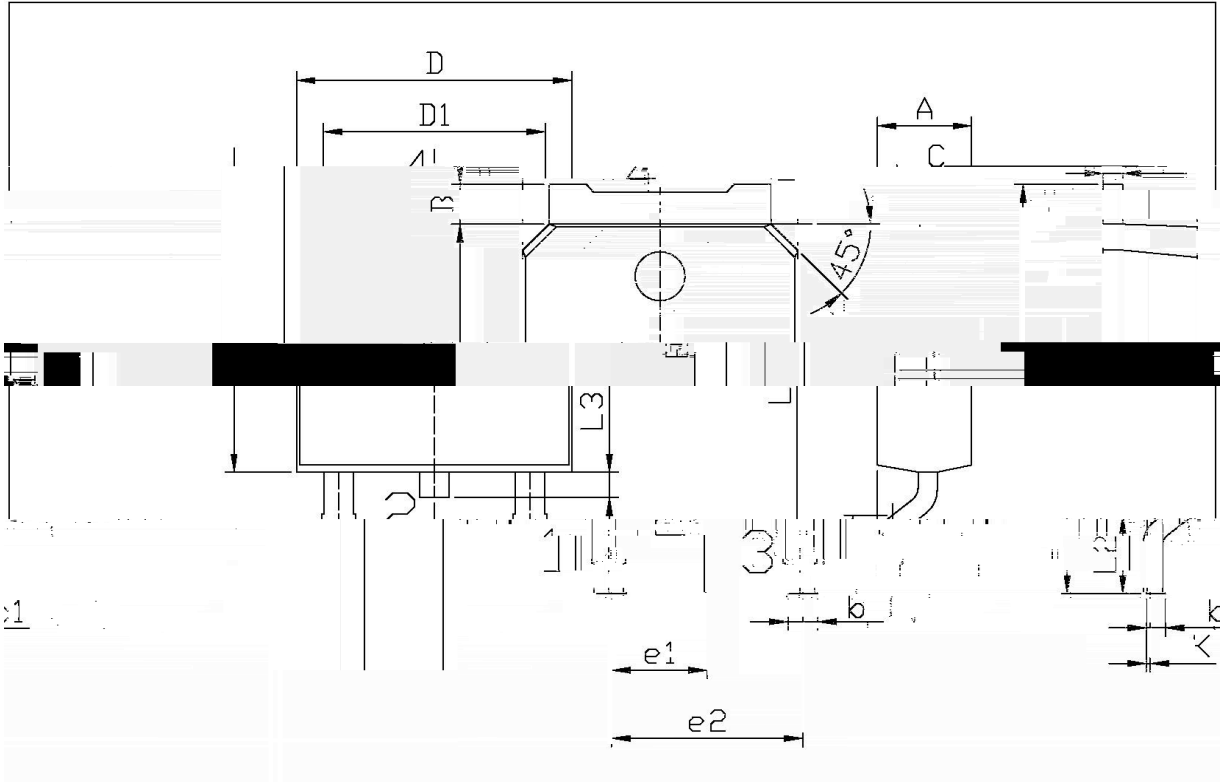


/ Electrical Characteristic Curve



Normalized maximum transient thermal impedance

/ Package Dimensions

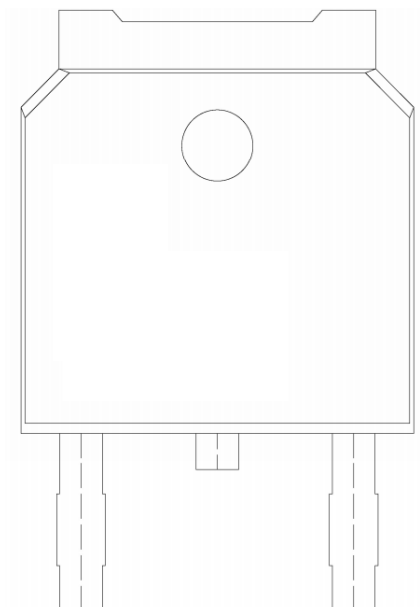


单位: mm

Symbol	Dimensions In Millimeters		Symbol	Dimensions In Millimeters	
	Min	Max		Min	Max
A	2.40	2.40	B	0.95	0.95
B	0.95	0.95	C	0.70	0.70
C	0.70	0.70	D	6.45	6.75
D	6.45	6.75	e1	0.45	0.55
e1	0.45	0.55	e2	1.70	2.00
e2	1.70	2.00	L3	0.60	0.90
L3	0.60	0.90	b	0.50	0.50
b	0.50	0.50	k	0.50	0.50
k	0.50	0.50			

TO-252

/ Marking Instructions



() / Temperature Profile for IR Reflow Soldering(Pb-Free)

/ Resistance to Soldering Heat Test Conditions

/ Packaging SPEC.

	Units/Reel /	Reels/Inner Box /	Units/Inner Box /	Inner Boxes/Outer Box /	Units/Outer Box /	Reel	Inner Box	Outer Box
/	Units/Outer Box							