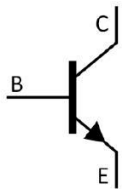


Silicon NPN transistor in a TO-220 Plastic Package.

High voltage.

High voltage switching and humidifier.

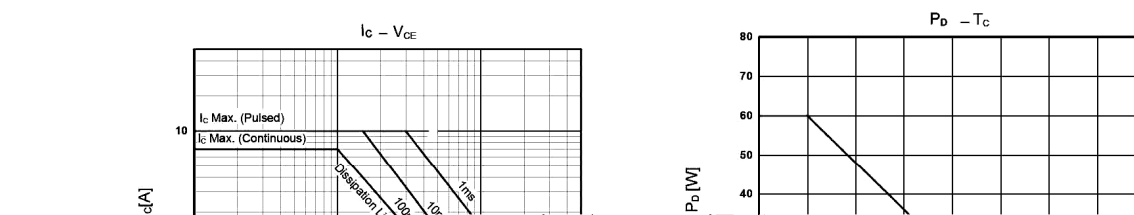
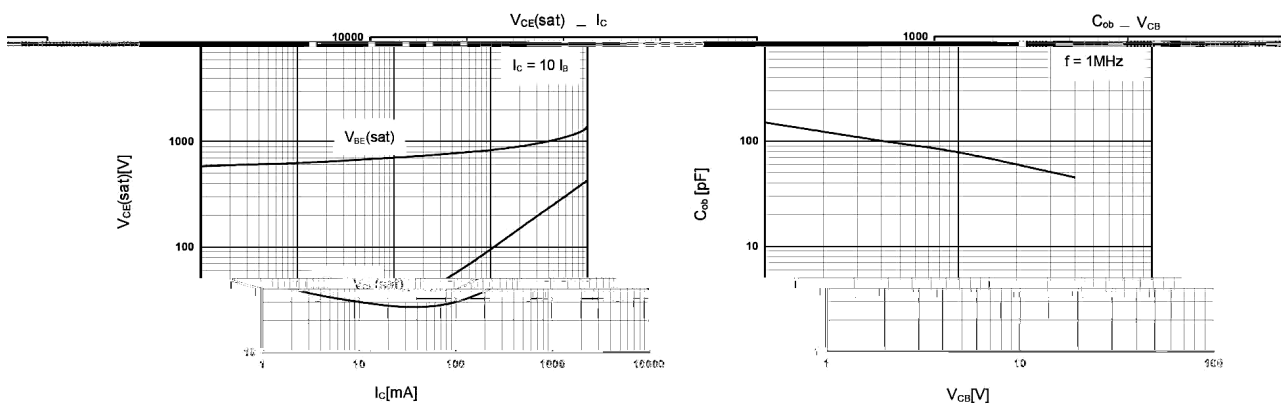
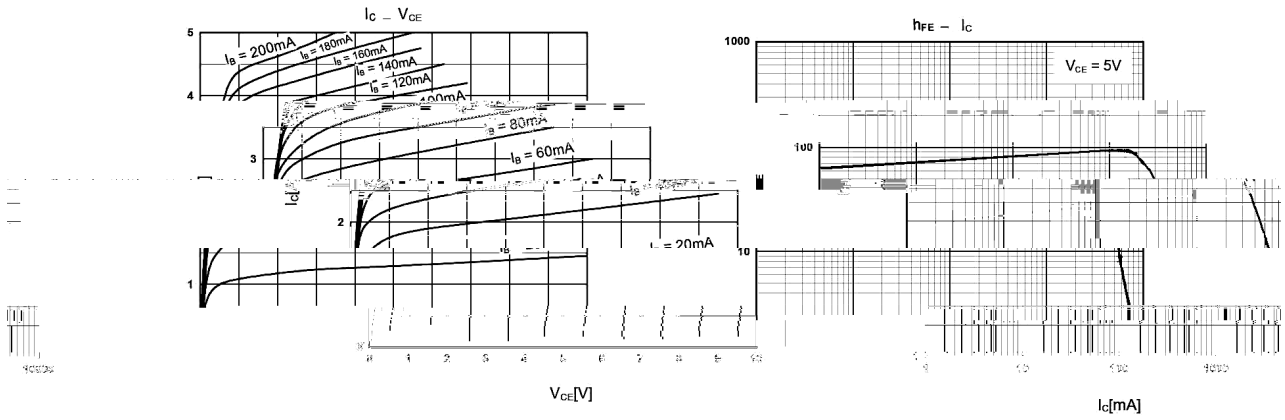


PIN1 Base PIN 2 Collector PIN 3 Emitter

See Marking Instructions.

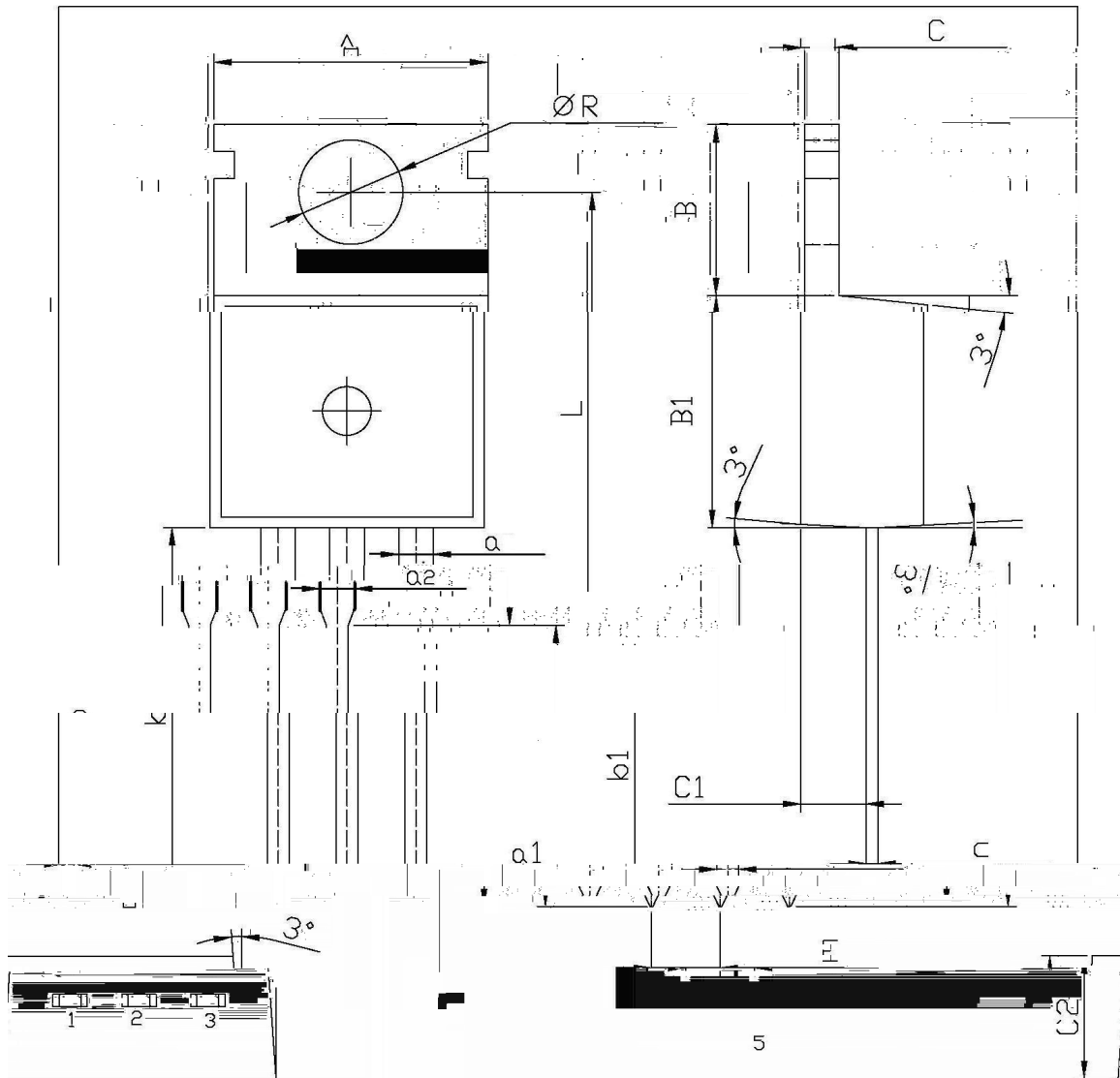
Parameter	Symbol	Rating	Unit
Collector to Base Voltage	V_{CBO}	400	V
Collector to Emitter Voltage	V_{CEO}	200	V
Emitter to Base Voltage	V_{EBO}	6.0	V
Collector Current(DC)	I_C	7.0	A
Collector Current(Pulse)	I_{CP}	10	A
Base Current	I_B	4.0	A
Collector Dissipation	P_C	60	W
Junction Temperature	T_j	150	
Storage Temperature Range	T_{stg}	-55~150	

Parameter	Symbol	Test Conditions	Min	Typ	Max	Unit
Collector Cut-Off Current	I_{CBO}	$V_{CB}=400V$ $I_E=0$			10	μA
Collector Cut-Off Current	I_{CEO}	$V_{CE}=200V$ $I_B=0$			50	μA
Emitter Cut-Off Current	I_{EBO}	$V_{BE}=6.0V$ $I_C=0$			10	μA
Collector Cut-Off Current	$I_{CES(1)}$	$V_{CE}=400V$ $V_{BE}=0$			5	mA
	$I_{CES(2)}$	$V_{CE}=250V$ $V_{BE}=0$			100	μA
	$I_{CES(3)}$	$V_{CE}=250V$ $V_{BE}=0$ $T_C=150$			1.0	mA
DC Current Gain	h_{FE}	$V_{CE}=5.0V$ $I_C=2.0A$	60		120	
Collector to Emitter Saturation Voltage	$V_{CE(sat)}$	$I_C=5.0A$ $I_B=0.5A$			1.0	V
Base to Emitter Saturation Voltage	$V_{BE(sat)}$	$I_C=5.0A$ $I_B=0.5A$			1.2	V
Current Gain Bandwidth Product	f_T	$V_{CE}=10V$ $I_C=0.5A$	10			MHz
Turn-Off Time	t_{off}	$I_C=5.0A$ $I_B=0.5A$			0.75	μS

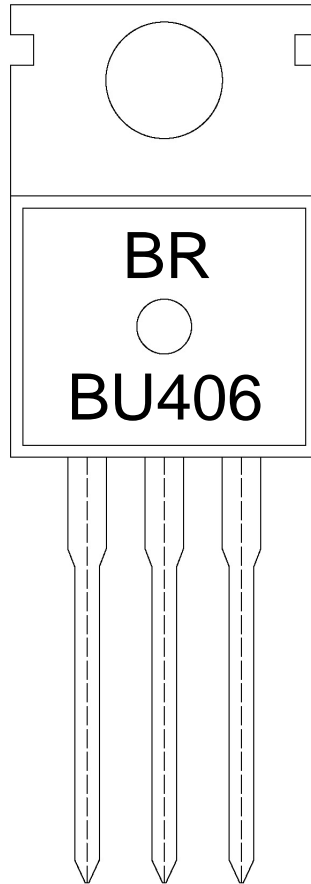


TO-220

单位: mm



Symbol	Min	Max	Symbol	Min	Max
R	3.56	3.64	B	6.3	6.7
L	15.7	16.1	B1	9.0	9.4
b	12.6	13.6	C1	2.2	2.6
a	1.22	1.32	C	0.4	
a1	2.34	2.74	C2	4.3	
a2	1.25	1.45			



BR

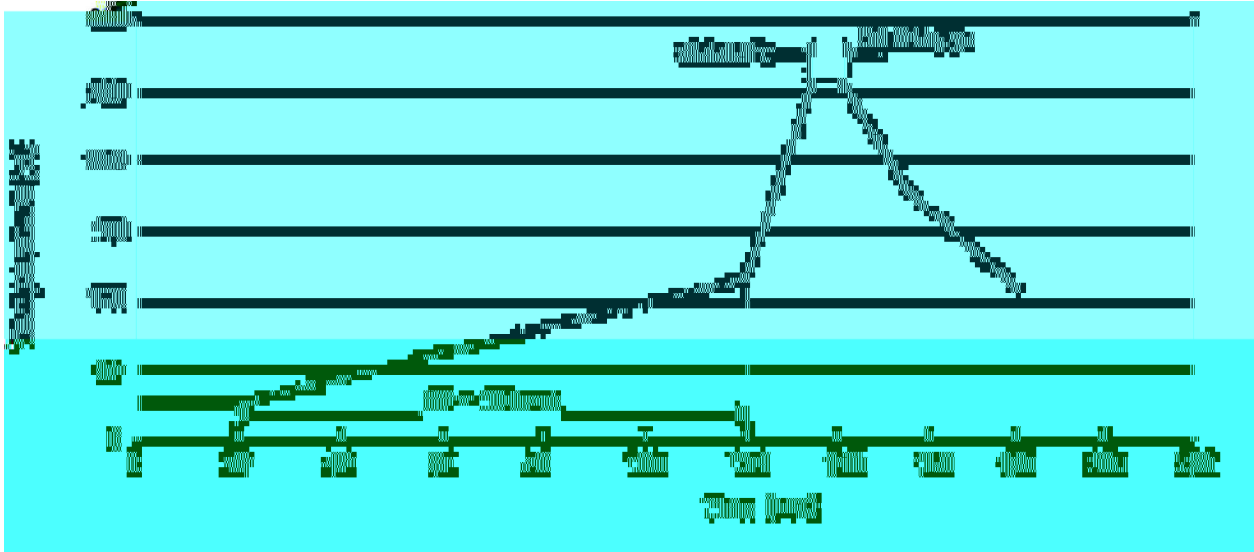
BU406

Note:

BR: Company Code

BU406: Product Type.

***: Lot No. Code, code change with Lot No.



		Note:	
1	25 150 60 90sec;	1.Preheating:25~150 , Time:60~90sec.	
2	255 5 5 0.5sec;	2.Peak Temp.:255 5 , Duration:5 0.5sec.	
3	2 10 /sec.	3. Cooling Speed: 2~10 /sec.	

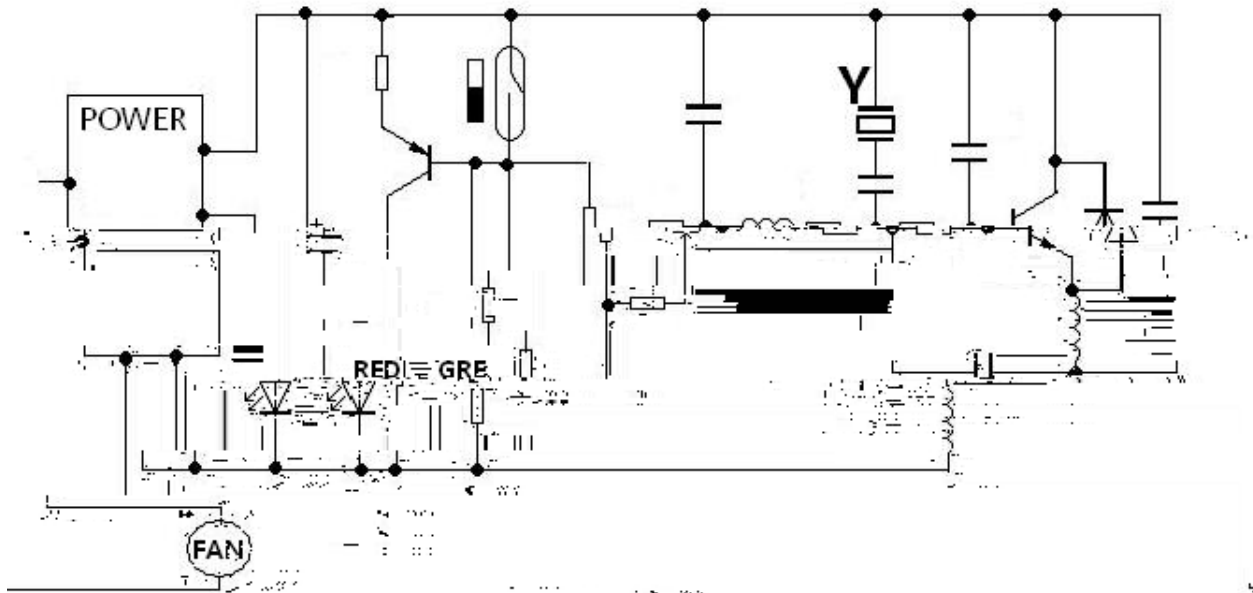
270 5 10 1 sec. Temp.:270±5 Time:10±1 sec

/ BULK

Package Type 封装形式	Units 包装数量					Dimension 包装尺寸 (unit: mm ³)		
	只袋	袋盒	只盒	盒箱	只箱	袋	盒	箱

/ TUBE

Package Type 封装形式	Units 包装数量					Dimension 包装尺寸 (unit: mm ³)		
	只套管	套管盒	只盒	盒箱	只箱	套管	盒	箱



加湿器原理图

Y