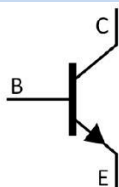


/ Descriptions

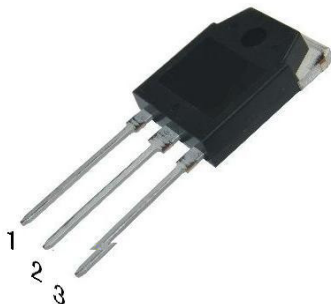
/ Features

/ Applications

/ Equivalent Circuit



/ Pinning



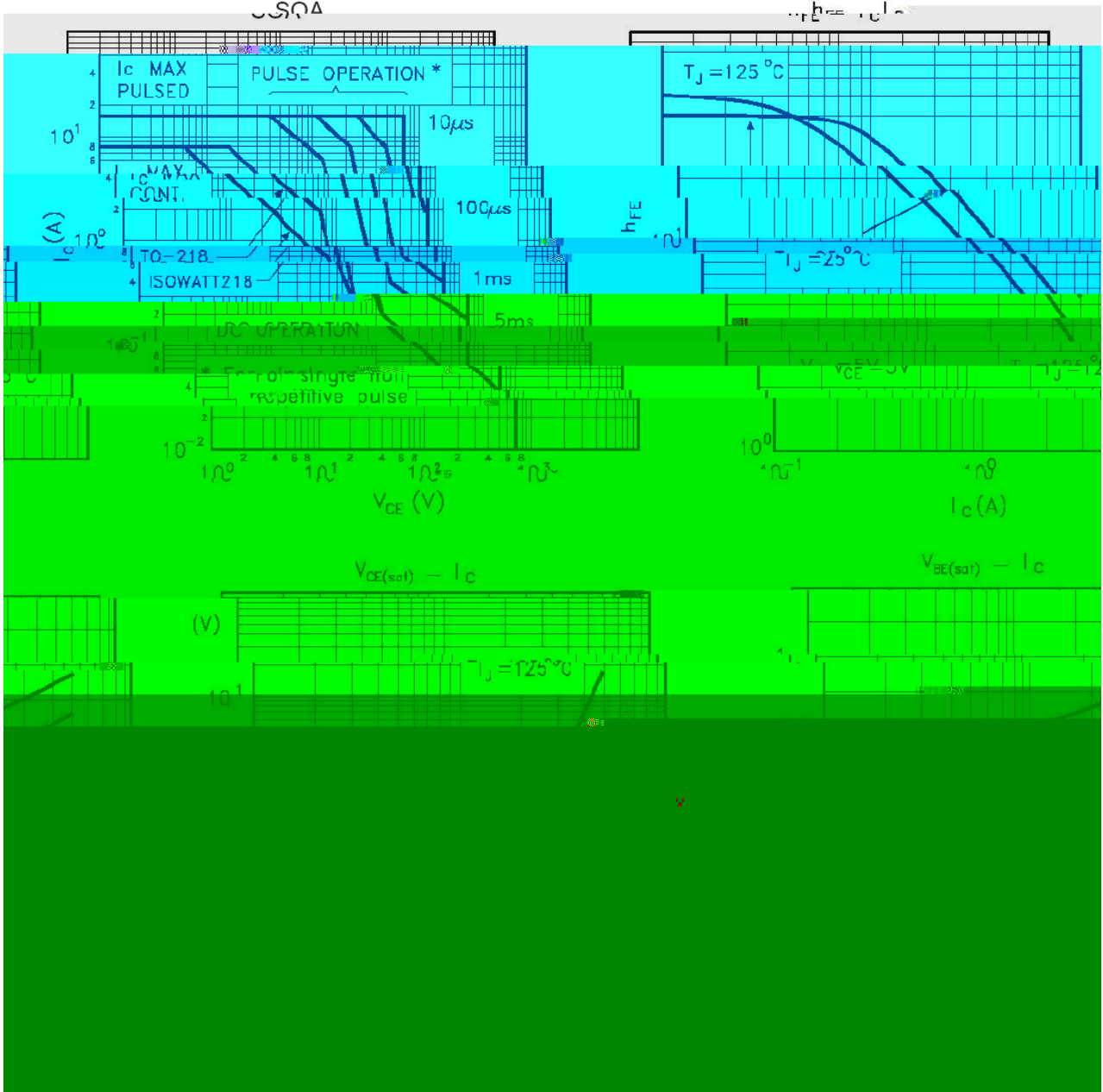
/ h_{FE} Classifications & Marking

BU508A

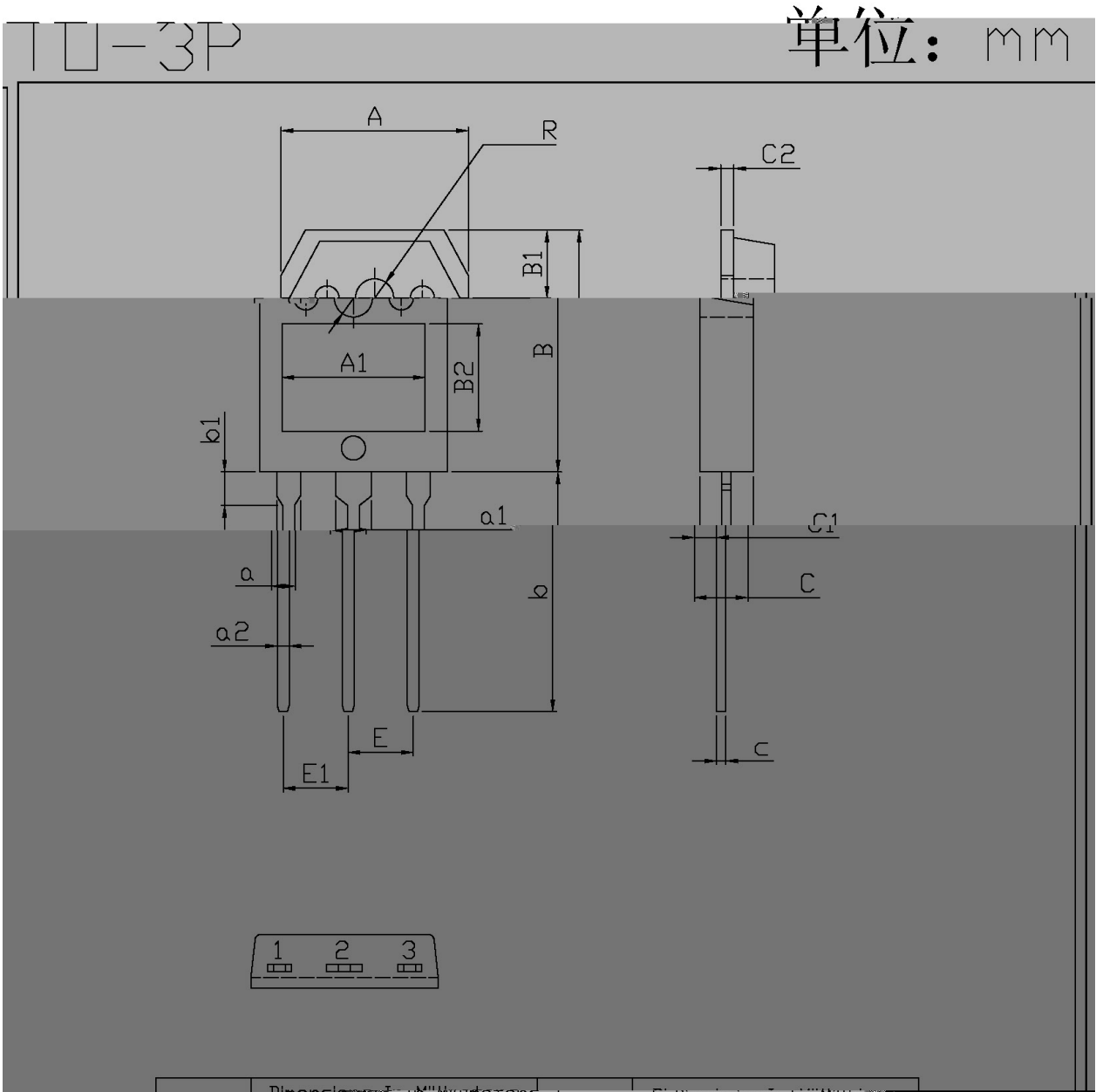


DATA SHEET

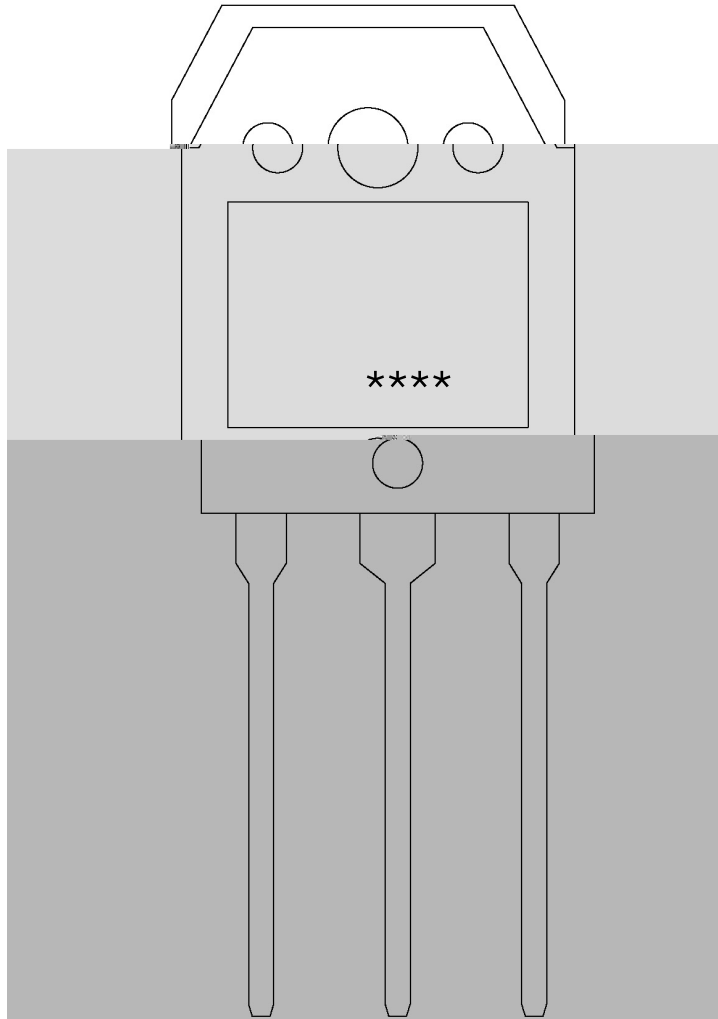
/ Electrical Characteristic Curve



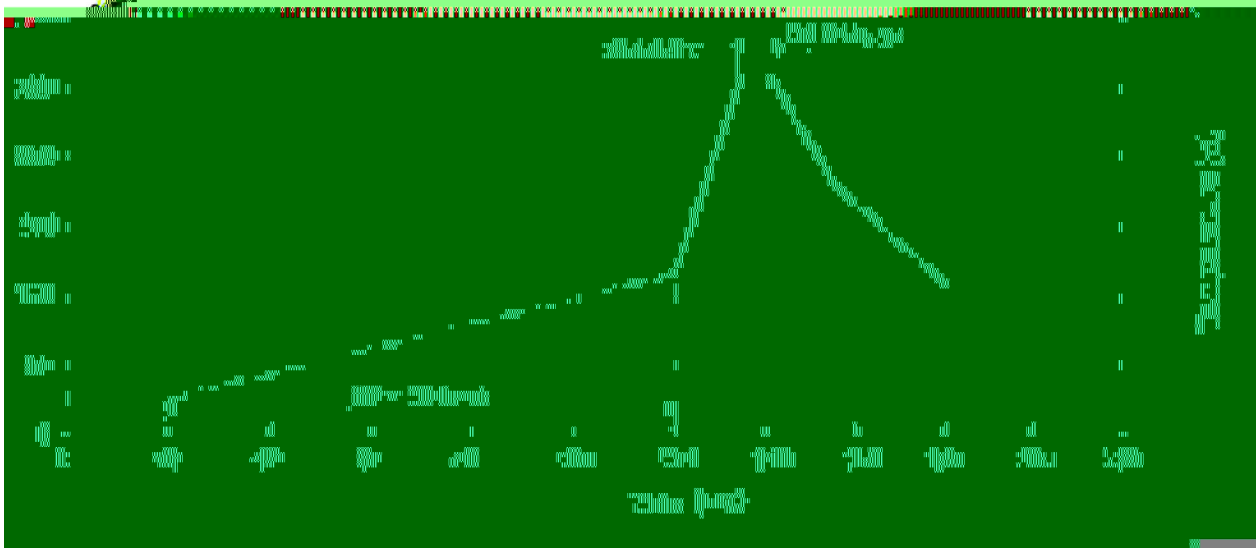
/ Package Dimensions



/ Marking Instructions



() / Temperature Profile for Dip Soldering(Pb-Free)



/ Resistance to Soldering Heat Test Conditions

/ Packaging SPEC.

封装形式	包装数量					包装尺寸 :		
	Units/Tube 只/套管	Tubes/Inner Box 套管/盒	Units/Inner Box 只/盒	Inner Boxes/Outer Box 盒/箱	Units/Outer Box 只/箱	Tube 套管	Inner Box 盒	Outer Box 箱
TO-3P	30	15	450	5	2250	497.5×46×8	555×164×50	575 290 180

/ Notices