

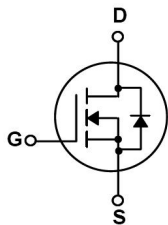
## / Descriptions

## / Features

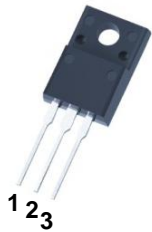
## / Applications

DC/DC

## / Equivalent Circuit



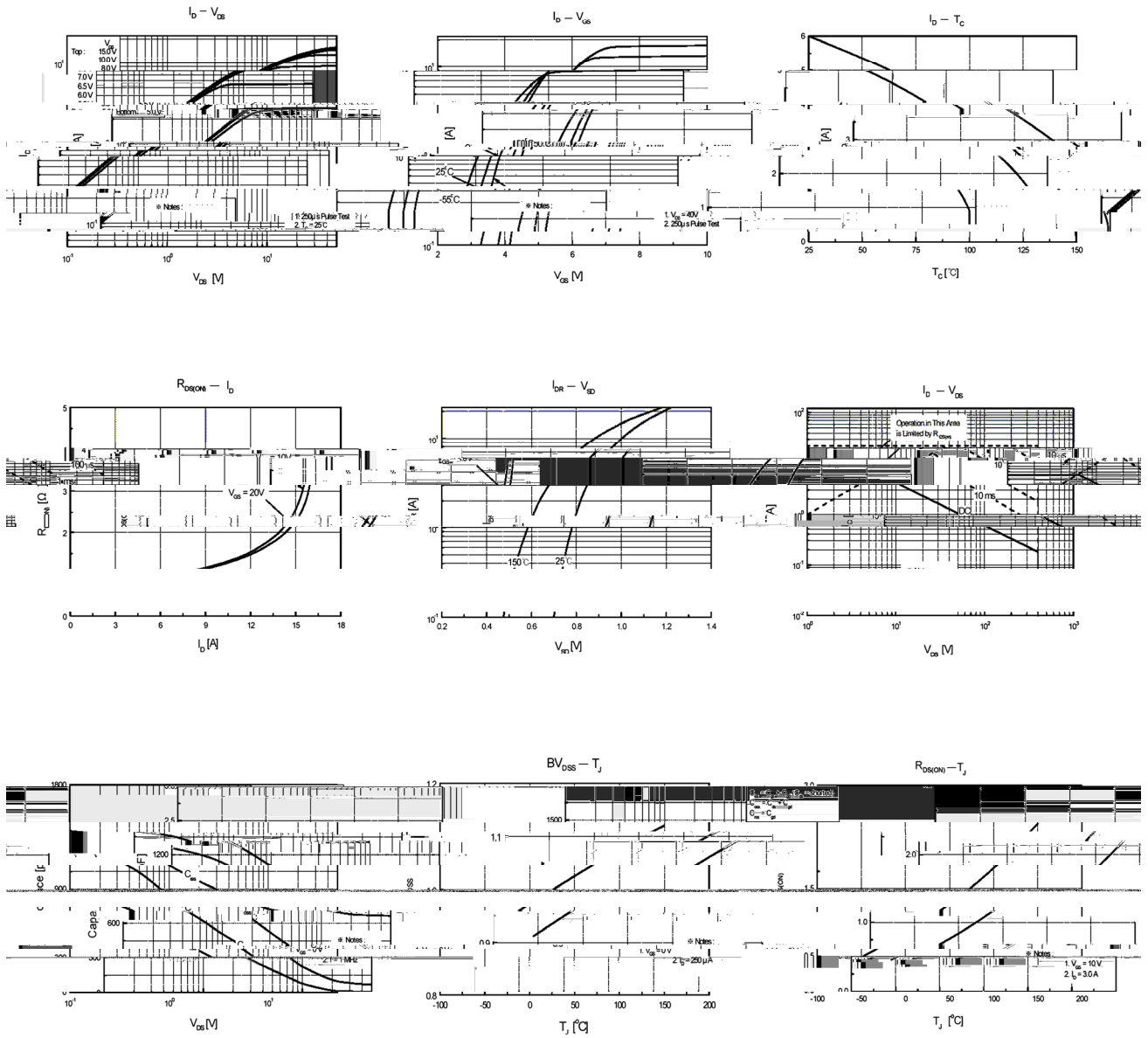
## / Pinning



## / h<sub>FE</sub> Classifications & Marking

IRFS730

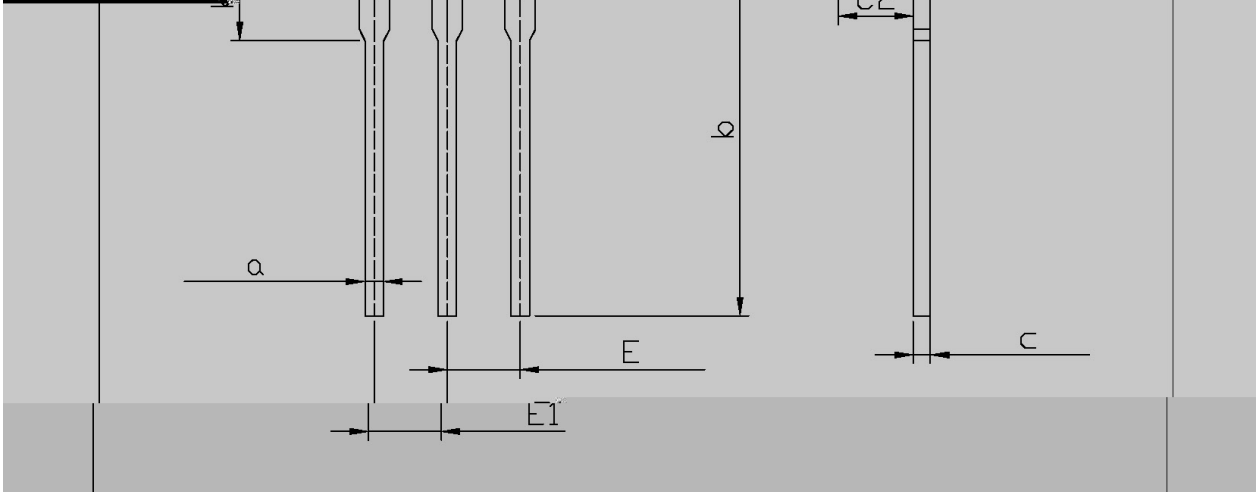

/ Electrical Characteristic Curve



/ Package Dimensions

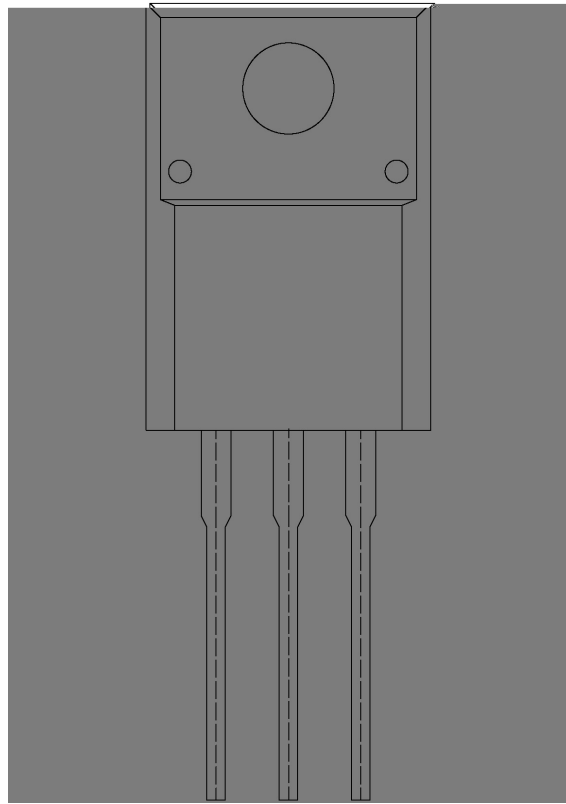
TO-220F

单位: mm



Dimensions In Millimeters			Dimensions In Millimeters		
Symbol	Min	Max	Symbol	Min	Max
C	4.3	4.7	b1	2.9	3.9
A	9.7	10.3	a	0.55	0.75
B	14.7	15.3	E	2.29	2.79
E1	2.9	3.4	E	2.29	2.79

/ Marking Instructions



BR

IRFS730

\*\*\*\*

**IRFS730**