

/ Descriptions

Silicon NPN transistor in a TO-92LM Plastic Package.

/ Features

High collector-Base voltage.

/ Applications

Color TV chroma output.

/ Equivalent Circuit



/ Pinning



PIN1 Base PIN 2 Collector PIN 3 Emitter

/ h_{FE} Classifications & Marking

h_{FE} Classifications Symbol	R	O	Y
h_{FE} Range	40 80	70 140	120 240

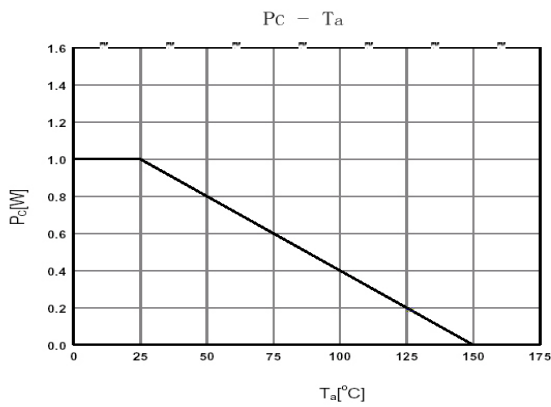
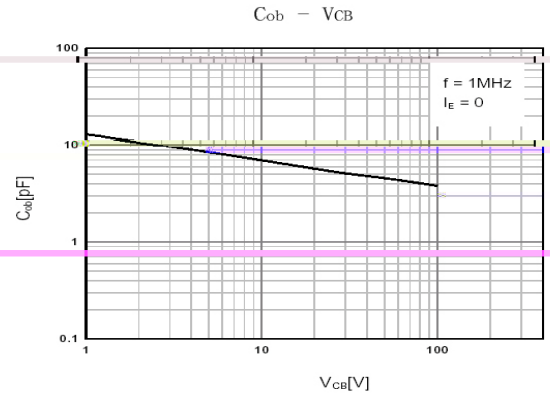
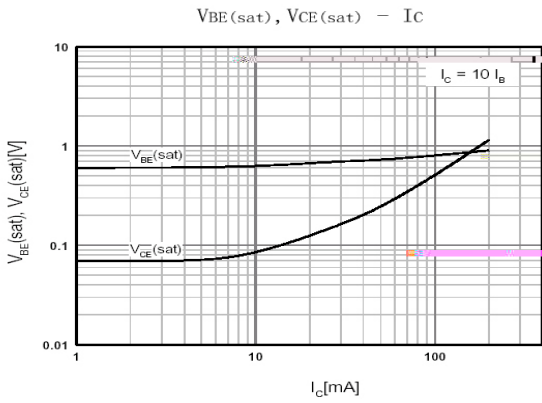
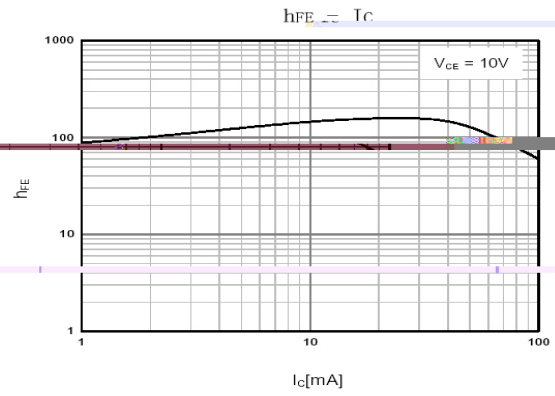
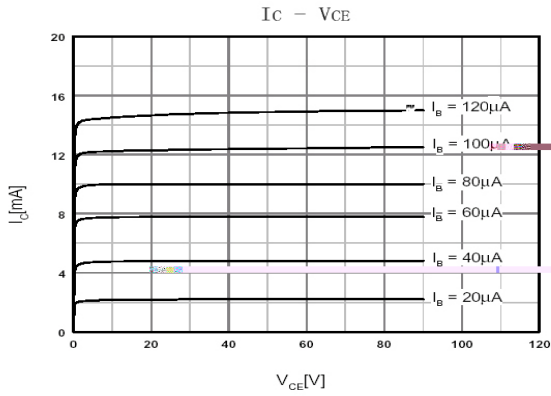
/ Absolute Maximum Ratings(Ta=25)

Parameter	Symbol	Rating	Unit
Collector to Base Voltage	V_{CBO}	300	V
Collector to Emitter Voltage	V_{CEO}	300	V
Emitter to Base Voltage	V_{EBO}	7.0	V
Collector Current (DC)	I_C	100	mA
Collector Power Dissipation	P_C	1.0	W
Junction Temperature	T_j	150	°C
Storage Temperature Range	T_{stg}	-55 150	°C

/ Electrical Characteristics(Ta=25)

Parameter	Symbol	Test Conditions	Min	Typ	Max	Unit
Collector to Base Breakdown Voltage	V_{CBO}	$I_C=100\text{ A}$ $I_E=0$	300			V
Collector to Emitter Breakdown Voltage	V_{CEO}	$I_C=5.0\text{mA}$ $I_B=0$	300			V
Emitter to Base Breakdown Voltage	V_{EBO}	$I_E=-100\text{ A}$ $I_C=0$	7.0			V
Collector Cut-Off Current	I_{CBO}	$V_{CB}=200\text{V}$ $I_E=0$			0.1	A
DC Current Gain	h_{FE}	$V_{CE}=10\text{V}$ $I_C=20\text{mA}$	40		240	
Collector to Emitter Saturation Voltage	$V_{CE(sat)}$	$I_C=10\text{mA}$ $I_B=1.0\text{mA}$			0.5	V
Transition Frequency	f_T	$V_{CE}=30\text{V}$ $I_C=10\text{mA}$		50		MHz
Collector output capacitance	C_{ob}	$V_{CB}=10\text{V}$ $f=1.0\text{MHz}$ $I_E=0$		4.0		pF

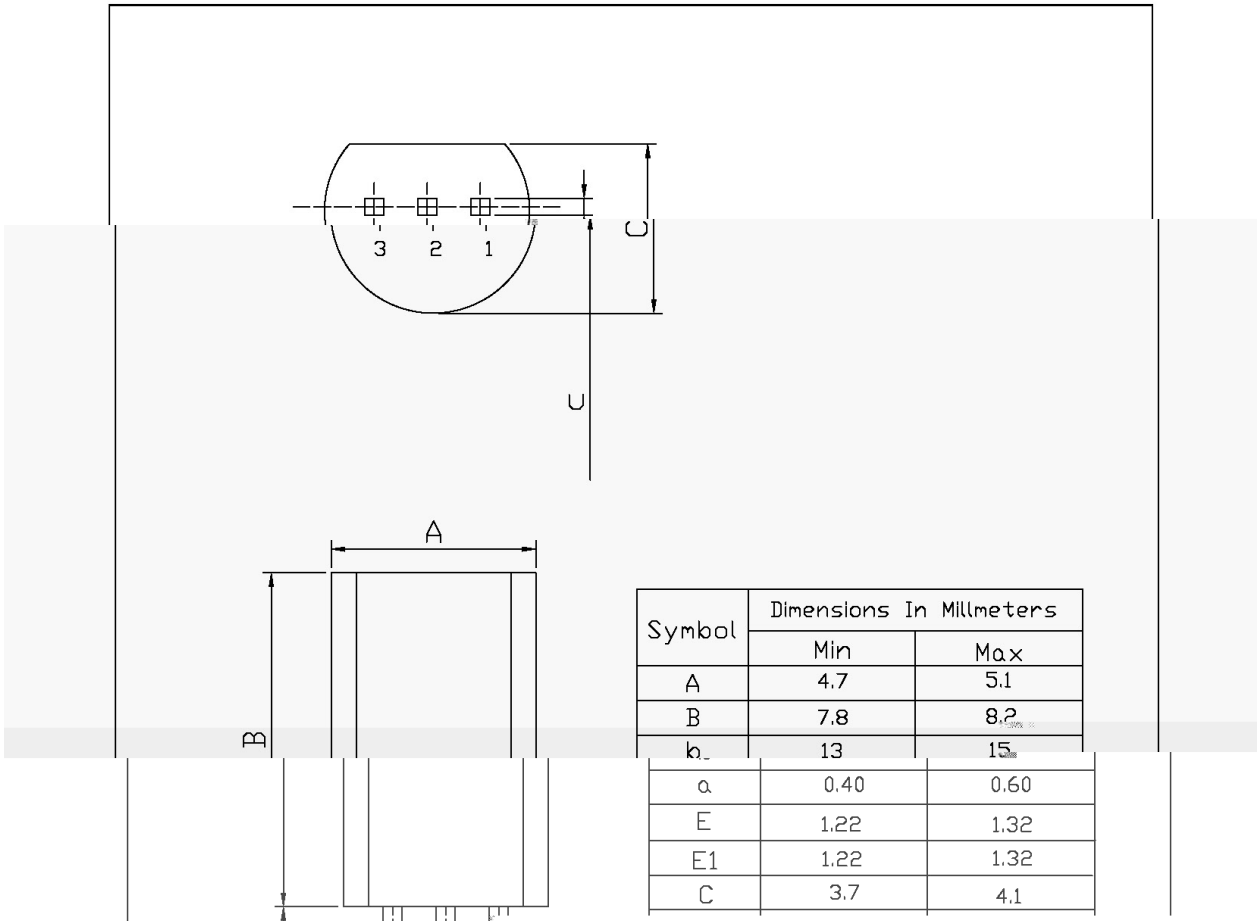
/ Electrical Characteristic Curve

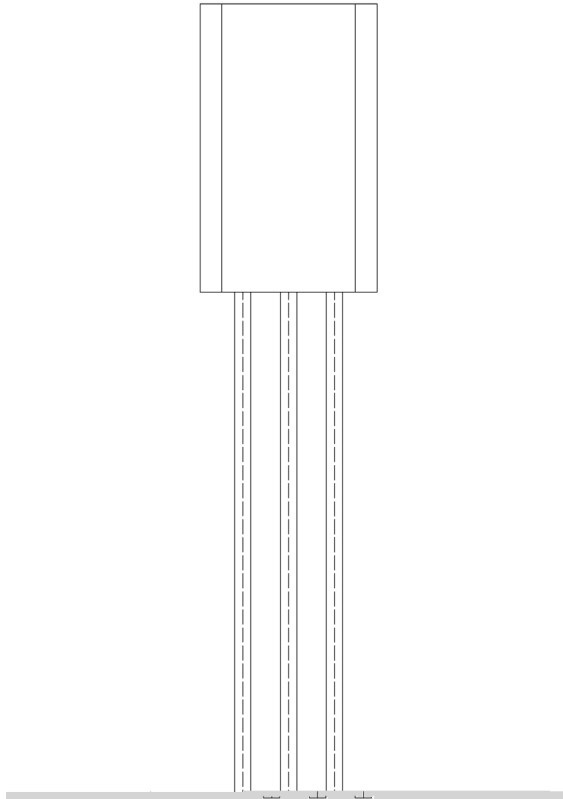


/ Package Dimensions

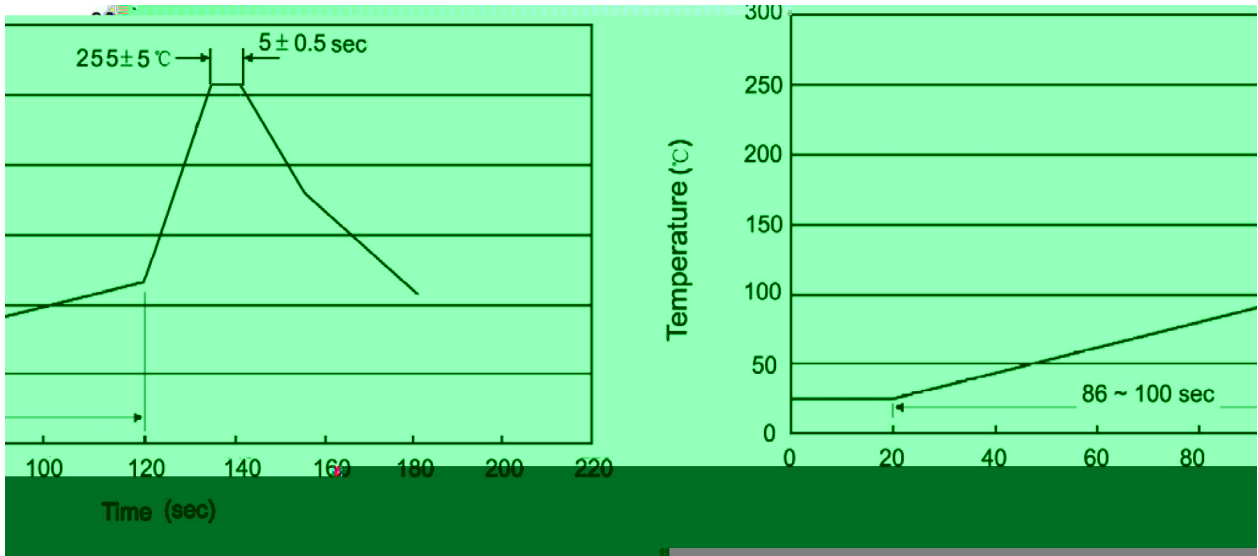
TO-92LM

Unit: mm





() / Temperature Profile for Dip Soldering(Pb-Free)



Note:

- | | | | | | |
|---|-----|-----|----|----------|---|
| 1 | 25 | 150 | 60 | 90sec; | 1.Preheating:25~150 , Time:60~90sec. |
| 2 | 255 | 5 | 5 | 0.5sec; | 2.Peak Temp.:255 5 , Duration:5 0.5sec. |
| 3 | | | 2 | 10 /sec. | 3. Cooling Speed: 2~10 /sec. |

/ Resistance to Soldering Heat Test Conditions

270 5 10 1 sec. Temp.:270±5°C Time:10±1 sec

/ Packaging SPEC.

/ BULK

Package Type 封装形式	Units 包装数量					Dimension 包装尺寸 (unit: mm3)		
	只袋	袋盒	只盒	盒箱	只箱	袋	盒	箱

/ AMMO

Package Type 封装形式	Units 包装数量					Dimension 包装尺寸 (unit: mm3)	
	只纸带	纸带盒	纸带层盒	盒箱	只箱	盒	箱
						小箱	大箱

/ Notices