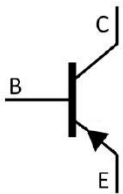


Silicon PNP transistor in a TO-92LM Plastic Package.

Complementary pair with KTC3205.

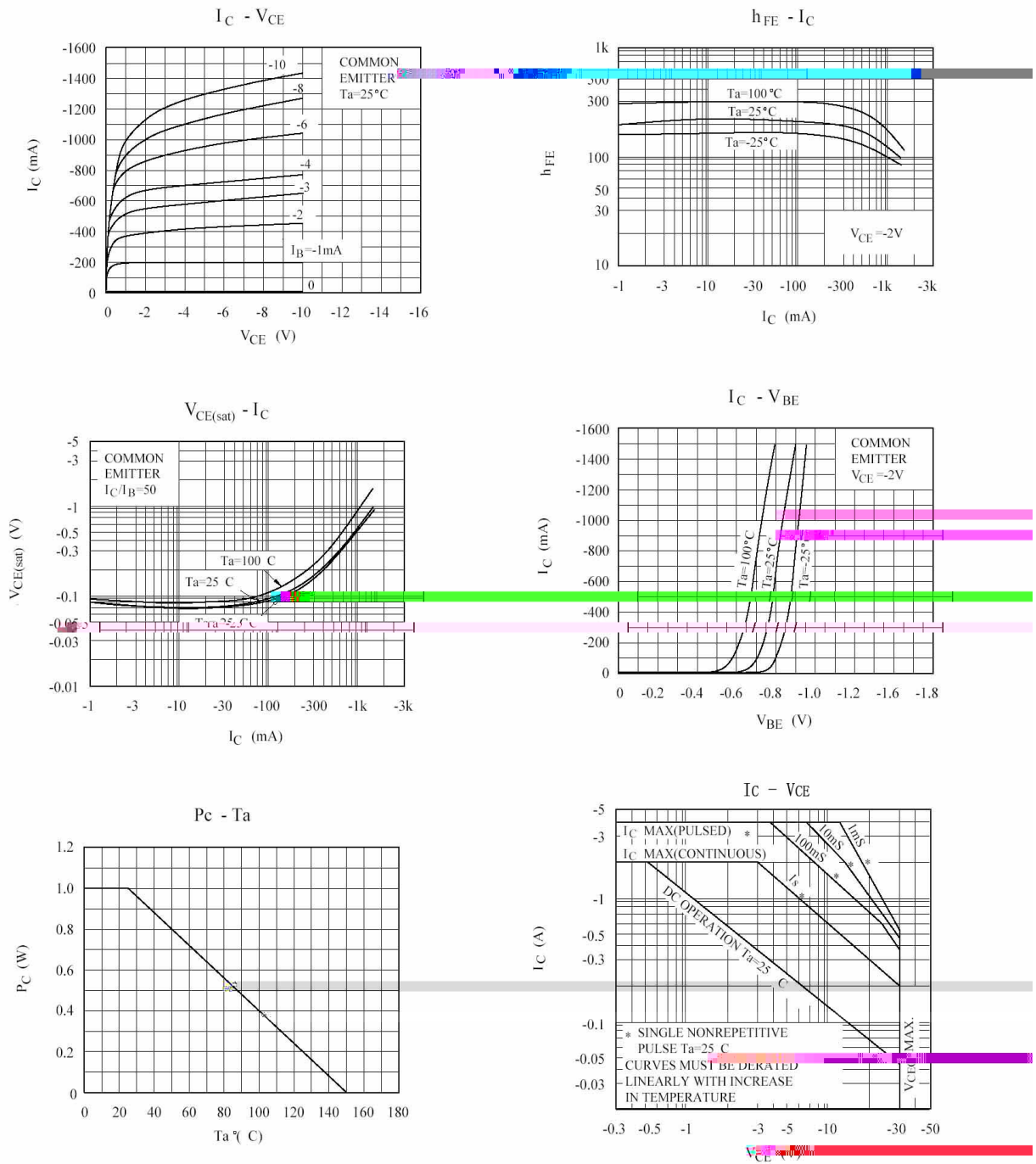
High current application.



PIN1 Base PIN 2 Collector PIN 3 Emitter

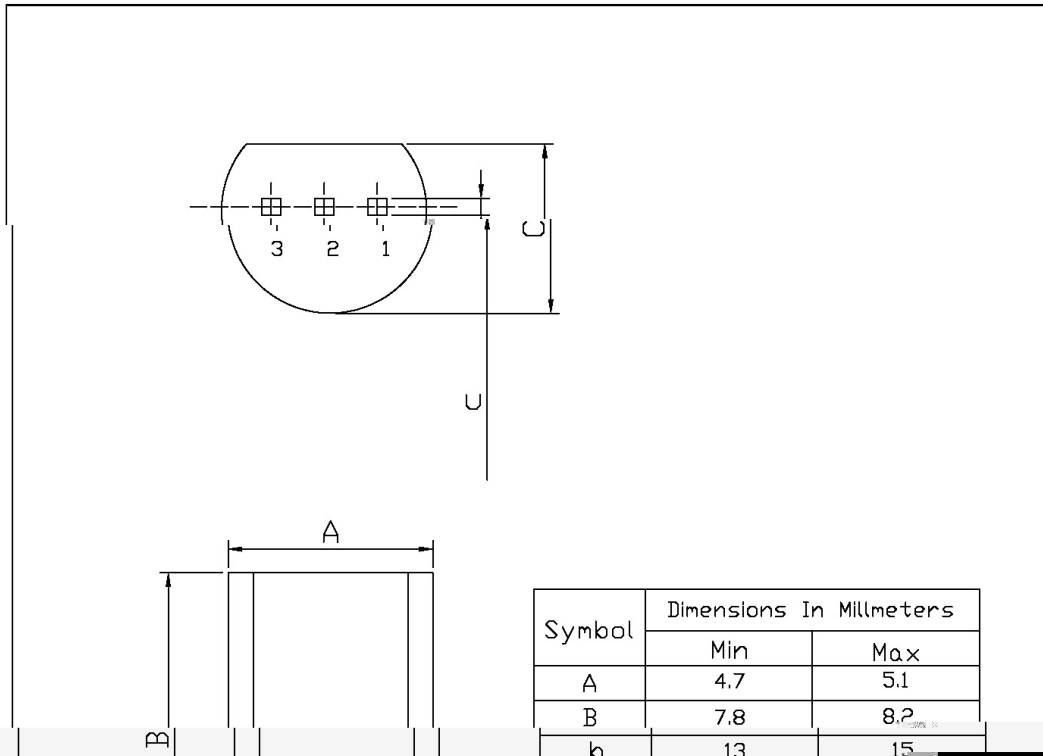
h_{FE} Classifications Symbol	O	Y
h_{FE} Range	100~200	160~320

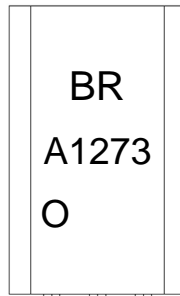
Parameter	Symbol	Rating	Unit
Collector to Base Voltage	V_{CBO}	-30	V
Collector to Emitter Voltage	V_{CEO}	-30	V
Emitter to Base Voltage	V_{EBO}	-5.0	V
Collector Current - Continuous	I_C	-2.0	A
Emitter Current - Continuous	I_E	2.0	A
Collector Power Dissipation	P_C	1.0	W
Junction Temperature	T_j	150	
Storage Temperature Range	T_{stg}	-55~150	



TO-92LM

Unit: mm





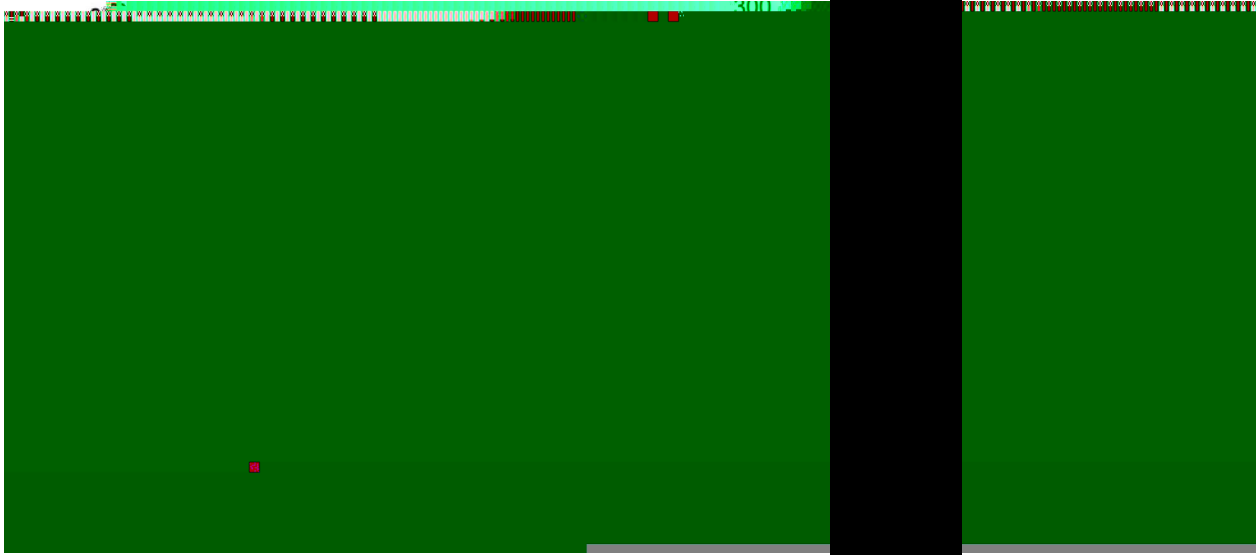
Note:

BR: Company Code.

A1273: Product Type.

O: h_{FE} Classifications Symbol

****: Lot No. Code,code change with Lot No.



- | | | | | | | | |
|---|-----|-----|----|----------|-------|--------------|----------------------|
| 1 | 25 | 150 | 60 | 90sec; | Note: | 1.Preheating | , Time:60~90sec. |
| 2 | 255 | 5 | 5 | 0.5sec; | | 2.Peak Tem | , Duration:5 0.5sec. |
| 3 | | | 2 | 10 /sec. | | 3. Cooling S | 0 /sec. |

270 5 10 1 sec. Temp.:270 5 e:10 1 sec

/ BULK

Package Type 封装形式	Units 包装数量					Dimension 包装尺寸 (unit: mm3)		
	只袋	袋盒	只盒	盒箱	只箱	袋	盒	箱