

# LV3045PT

Rev.F Mar.-2016

## / Descriptions

Schottky Barrier Diode in a TO-3P Plastic Package.

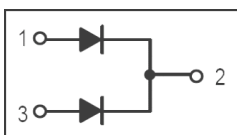
## / Features

Low forward voltage drop, low power losses, High efficiency operation.

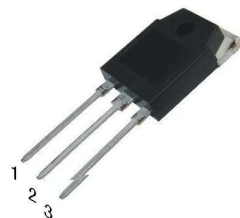
## / Applications

For use in high frequency inverters, switching power supplies, freewheeling diodes, OR-ing diode, dc-to-dc converters and reverse battery protection.

## / Equivalent Circuit



## / Pinning



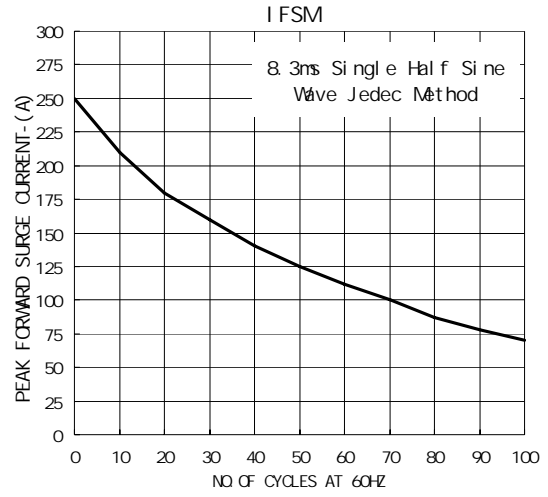
PIN1 Anode PIN 2 Cathode PIN 3 Anode

## / h<sub>FE</sub> Classifications & Marking

See Marking Instructions.

Parameter	Symbol	Rating	Unit
Repetitive peak reverse voltage	$V_{RRM}$	45	V
Average forward current	$I_{F(AV)}$	2×15	A
Non-Repetitive Peak Forward Surge Current	$I_{FSM}$	250	A
Thermal Resistance Junction to Ambient case	$R_{Jc}$	1.5	/W
Junction and Storage Temperature Range	$T_j$ $T_{stg}$	-40 +150	

/ Electrical Characteristic Curve



---

---

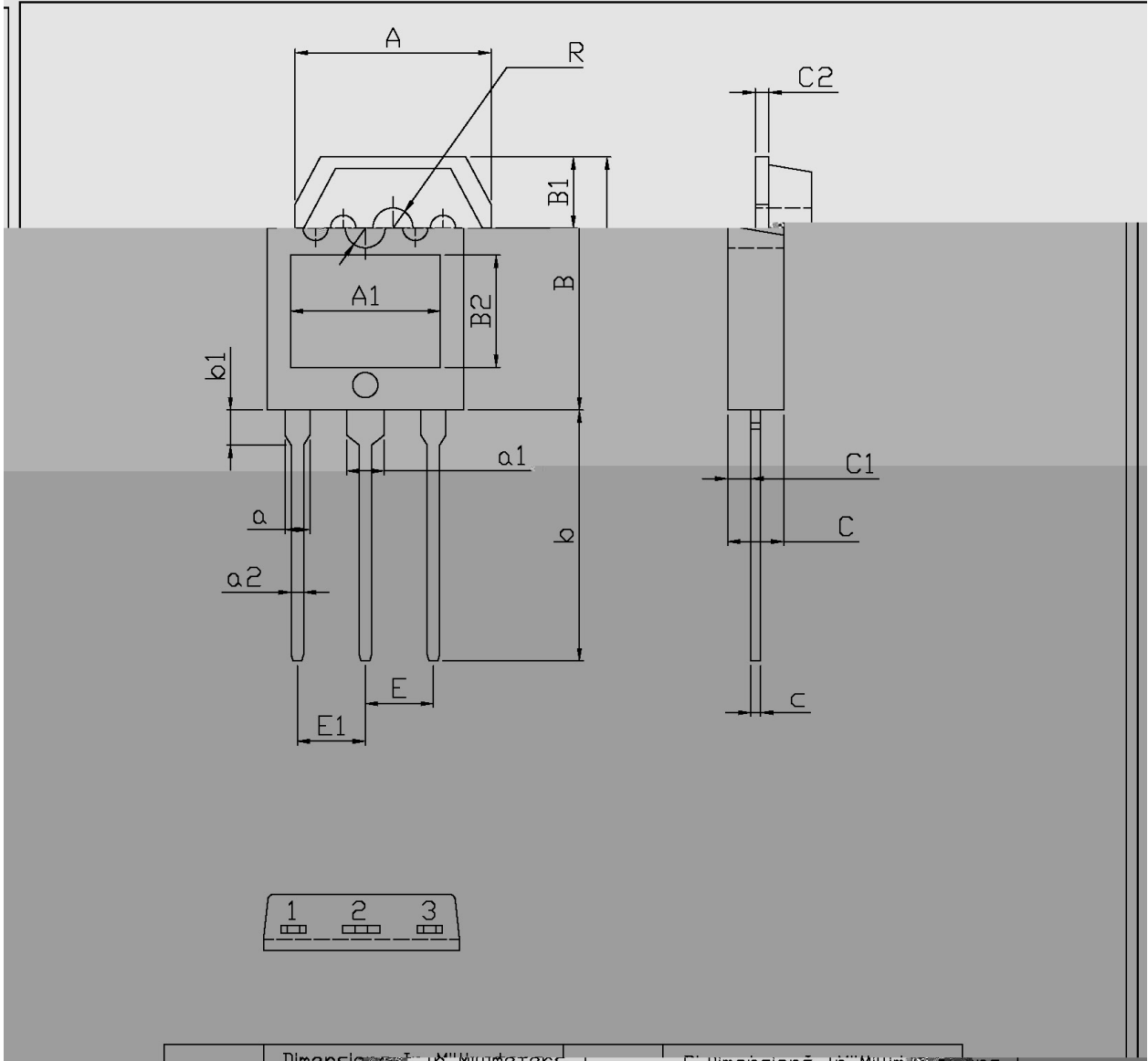
---

---

/ Package Dimensions

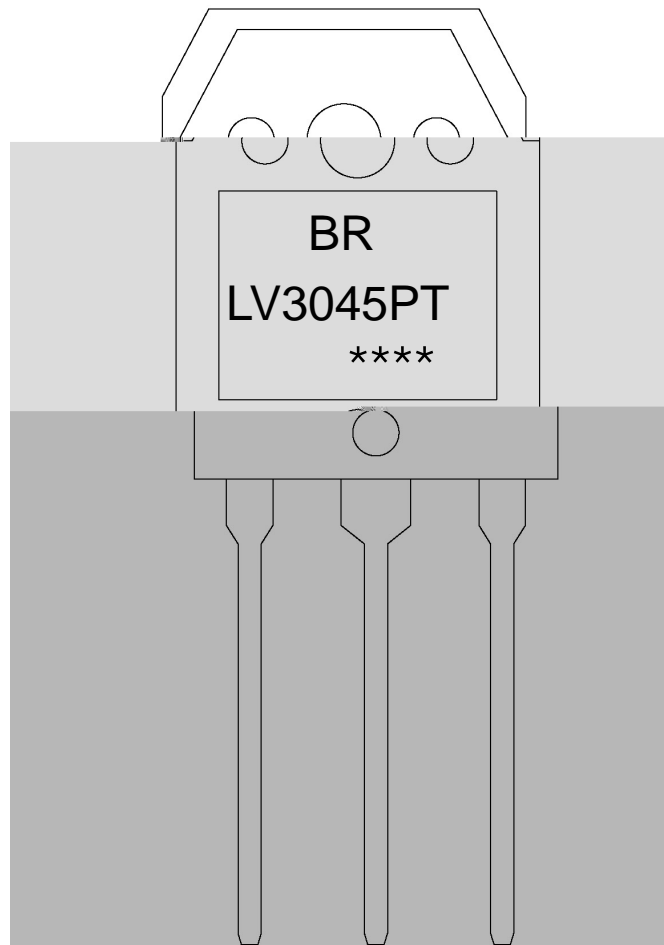
TU-3P

单位: mm



Dimensions in Millimeters			Dimensions in Millimeters		
Symbol	Min	Max	Symbol	Min	Max
A	15.4	16.0	ρ2	0.8	1.2
R	3.1	3.5	E	5.45	
B	19.8	20.8	E1	5.45	
B1	5.5	5.9	C	4.3	4.7
B2	9.0		C1	1.2	1.6

/ Marking Instructions



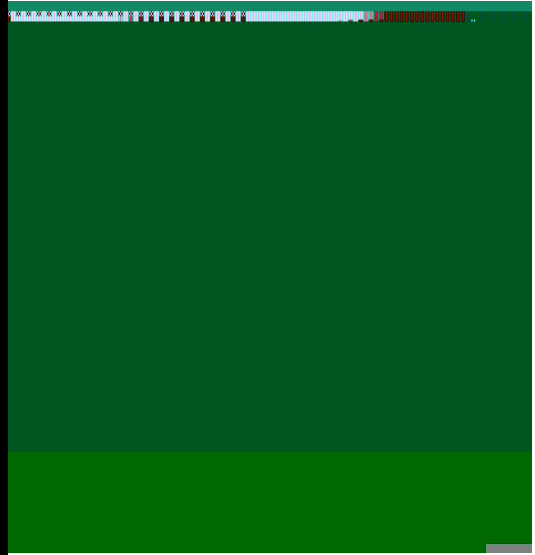
Note:

BR: Company Code.

LV3045PT: Product Type.

\*\*\*\*: Lot No. Code, code change with Lot No.

**Soldering(Pb-Free)**



Preheating: 25~150 °C, Time: 60~90sec.  
Peak Temp.: 255 ± 5 °C, Duration: 5 ~ 0.5sec.  
Cooling Speed: 2~10 °C/sec.

**Test Conditions**

Temp.: 270±5 °C Time: 10±1 sec

Package Type 封装形式	Units 包装数量					Dimension 包装尺寸 (unit: mm <sup>3</sup> )		
	Units/Tube 只/套管	Tubes/Inner Box 套管/盒	Units/Inner Box 只/盒	Inner Boxes/Outer Box 盒/箱	Units/Outer Box 只/箱	Tube 套管	Inner Box 盒	Outer Box 箱