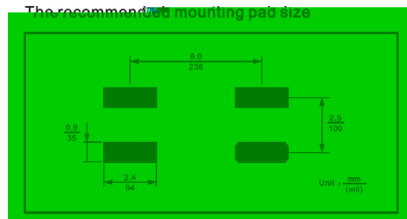


PIN	DESCRIPTION
1	Input Pin (~)
2	Input Pin (~)
3	Output Anode (+)
4	Output Cathode (-)



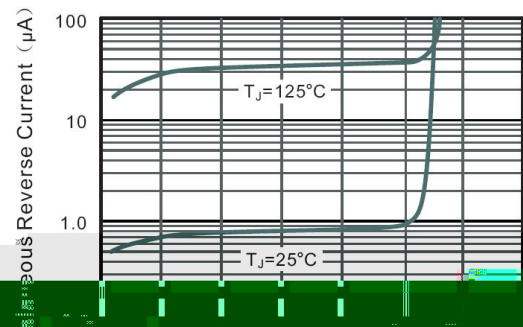
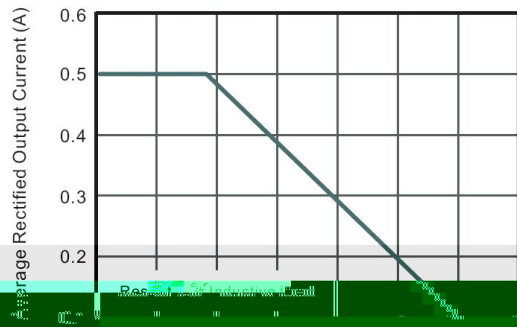


°C								
()								

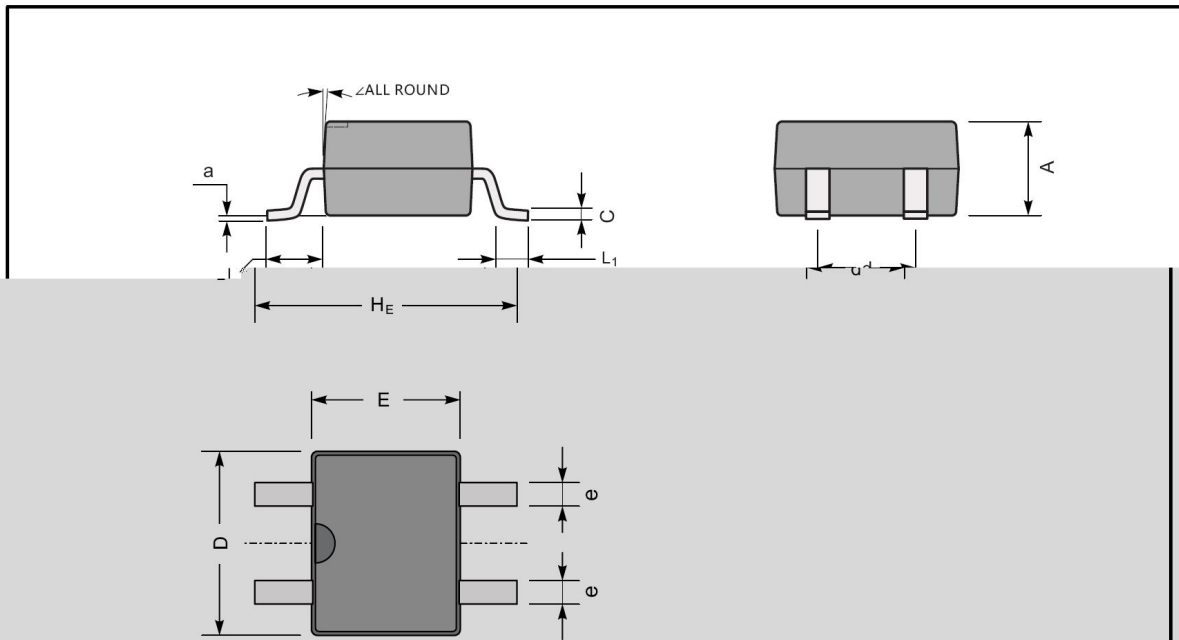
× ×)



		测试条件	数值	单位
		°C		μ



MBS

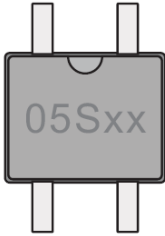


MBS mechanical data

UNIT		A	C	D	E	H _E	d	e	L	L ₁	a	∠
mm	max	2.6	0.22	5.0	4.1	7.0	2.7	0.7	1.7	1.1	0.2	7°
	min	2.2	0.15	4.5	3.6	6.4	2.3	0.5	1.3	0.5	—	
	max	102	8.7	107	161	276	100					

Marking

Type number	Marking code
MB1S-05	05S1
MB2S-05	05S2
MB4S-05	05S4
MB6S-05	05S6
MB8S-05	05S8
MB10S-05	05S10



The diagram shows a rectangular component with four pins. The marking '05Sxx' is printed on the component, with a small semi-circular notch at the top center.

