

# MBRB20200CT

Rev.G Jan.-2024

## / Descriptions

4 :  
Schottky Diode in a TO-263 Plastic Package.

## / Features

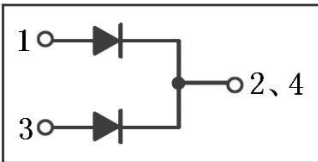
Low power loss, high efficiency, HF Product.

## / Applications

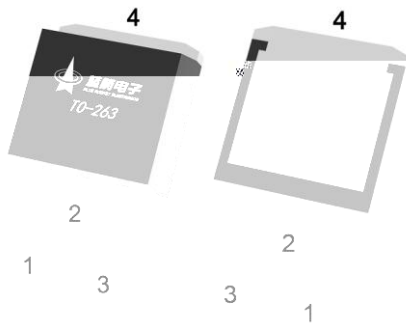
参

For use in low voltage, high frequency inverters, free wheeling, and polarity protection applications.

## / Equivalent Circuit



## / Pinning



PIN1 Anode

PIN 2 4 Cathode

PIN 3 Anode

## / hFE Classifications & Marking

See Marking Instructions.

# MBRB20200CT

Rev.G Jan.-2024



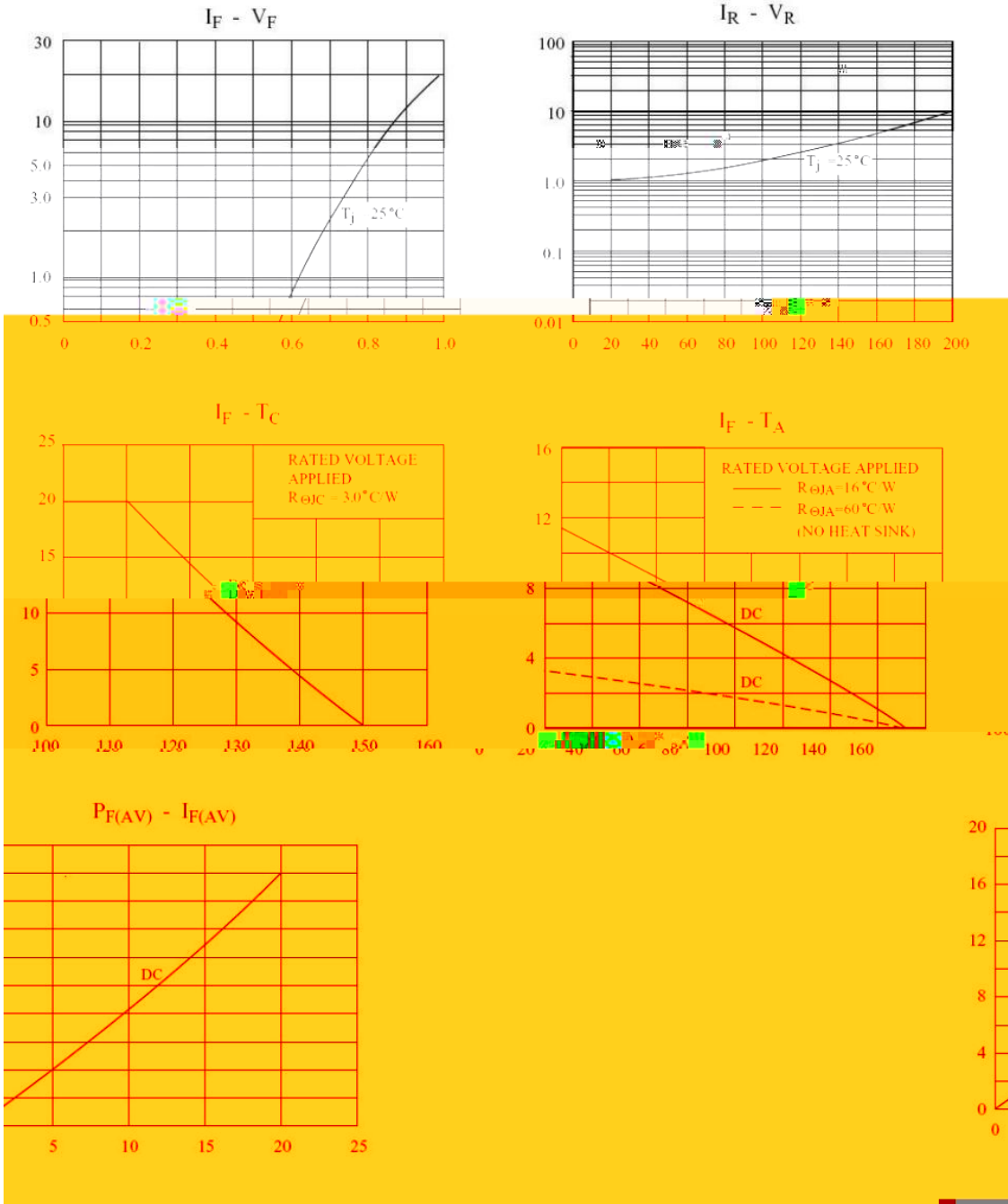
DATA SHEET

Parameter	Symbol	Rating	Unit
Peak Repetitive Reverse Voltage	$V_{RRM}$	200	V
Working Peak Reverse Voltage	$V_{RWM}$	200	V
Average Output Rectified Current	$I_o$	20	A
Non Repetitive Peak Surge Current	$I_{FSM}$	120	A
Thermal Resistance Junction to Case	$R_{\theta j-c}$	3.0	$^{\circ}C/W$
Junction Temperature Range	$T_j$	150	
Storage Temperature Range	$T_{stg}$	-55~150	

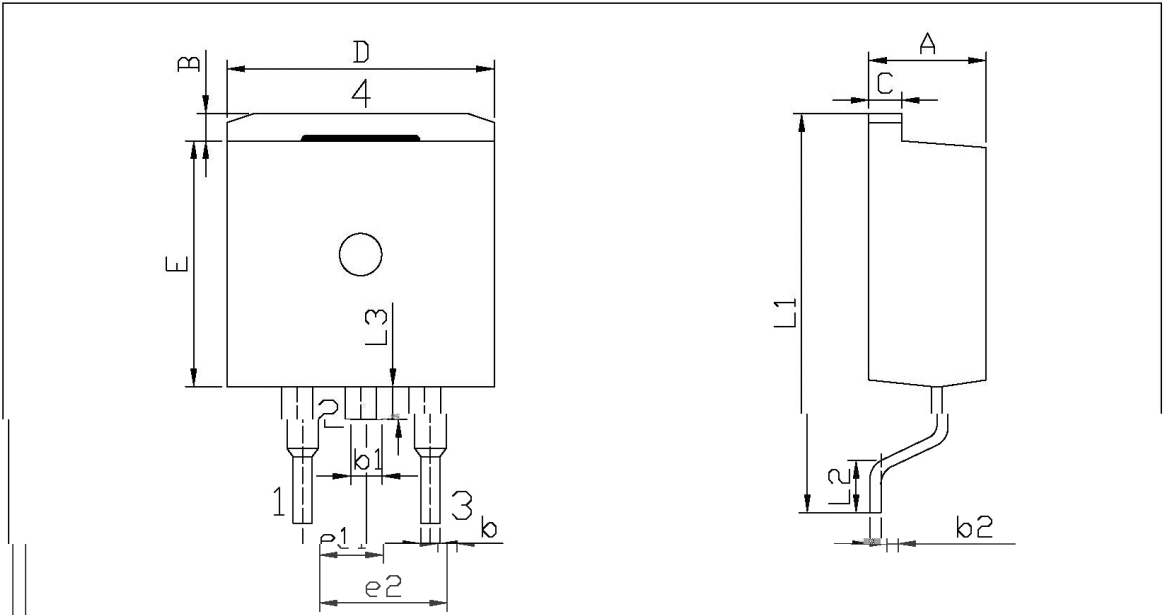
---

Parameter	Symbol	Test Conditions	Min	Typ	Max	Unit
-----------	--------	-----------------	-----	-----	-----	------

**/ Electrical Characteristic Curve**



**/ Package Dimensions**

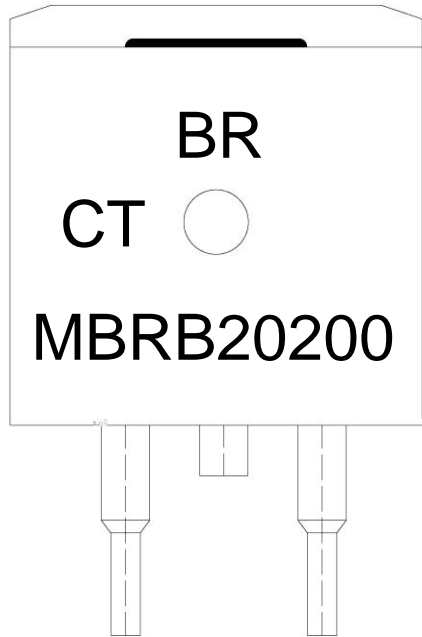


单位: mm

Symbol	Dimensions In Millimeters		Symbol	Dimensions In Millimeters	
	Min	Max		Min	Max
A	4.30	4.70	E	9.00	9.40
B	1.00	1.40	e1	2.34	2.74
b	0.70	0.90	e2	4.88	5.28
b1	1.15	1.35	L1	15.00	16.00
b2	0.40	0.60	L2	2.24	2.84
C	1.20	1.40	L3	1.20	1.60
D	9.80	10.20			

TQ-263

**/ Marking Instructions**



件

T

1111

件

Note:

BR: Company Code

MBRB20200 Product Type

CT: Internal Structure

\*\*\*\*: Lot No. Code, code change with Lot No

