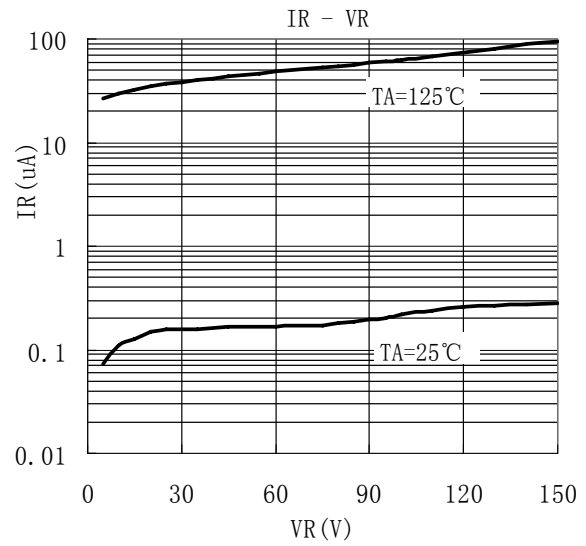
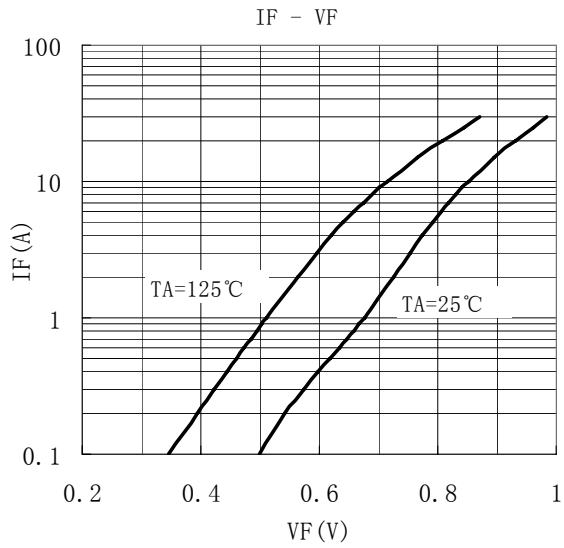
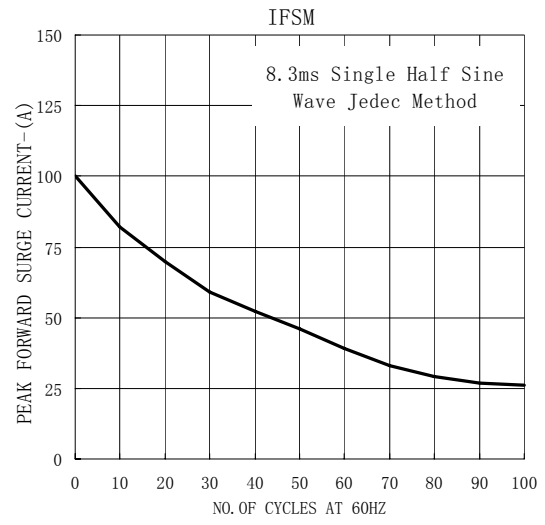
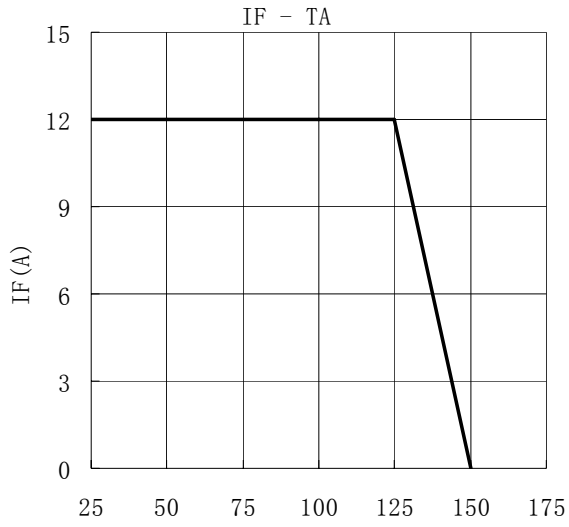




	θ		
		~	

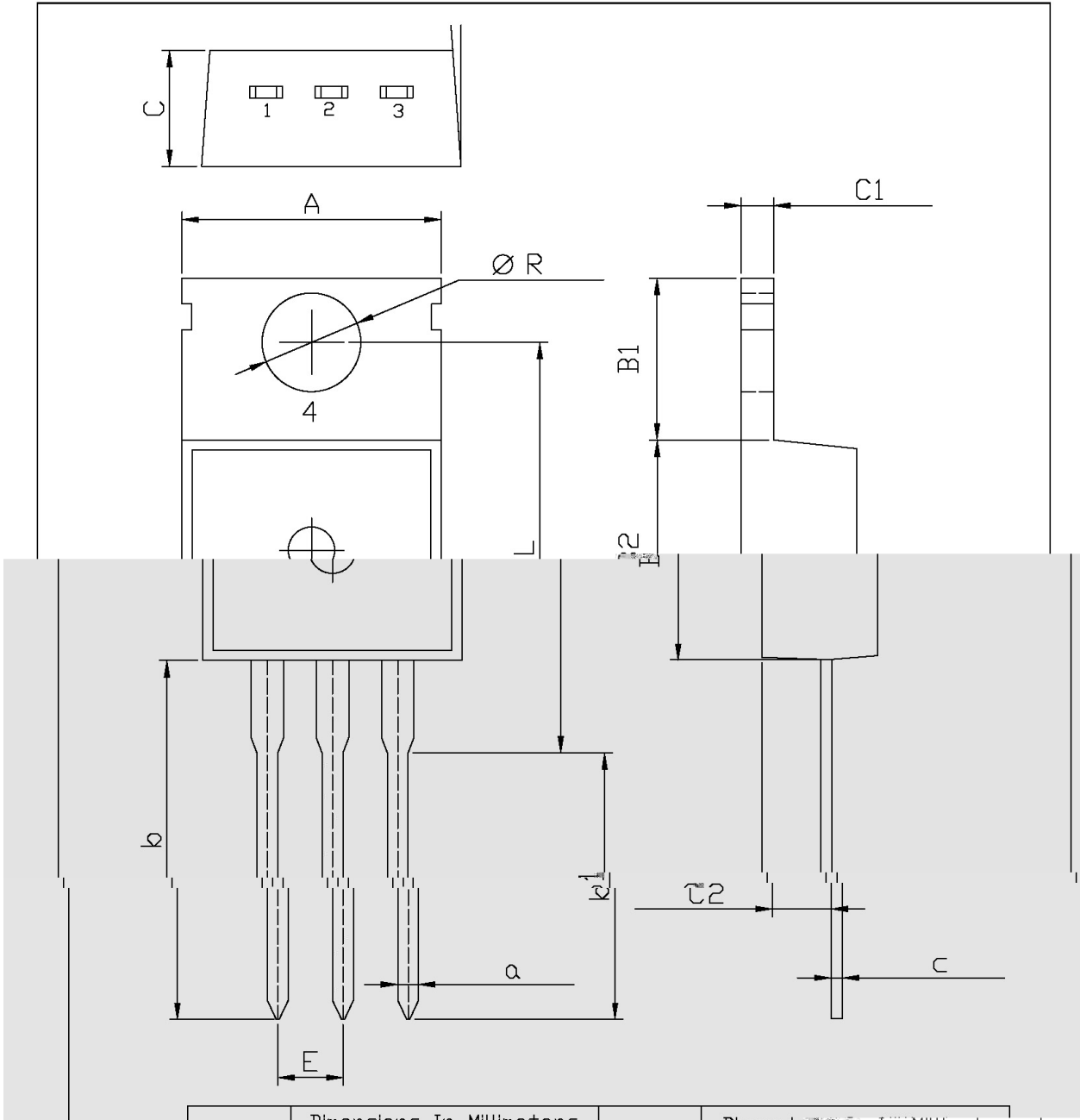
		$^{\circ}\text{C}$				
		$^{\circ}\text{C}$				
		$^{\circ}\text{C}$				
		$^{\circ}\text{C}$				
	()	$^{\circ}\text{C}$				
		$^{\circ}\text{C}$				
		$^{\circ}\text{C}$				

/ :



TO-220S

Unit: mm



Dimensions in Millimeters			Dimensions in Millimeters		
Symbol	Min.	Max.	Symbol	Min.	Max.
A	9.95	10.35	E	2.94	2.74
R	3.10	3.50	C	4.30	4.70
L	15.7	16.3	C1	1.17	1.37
b	12.5	13.5	C2	2.27	2.74
b1	9.68	10.88	B1	6.03	6.43
a	0.70	0.90	B2	8.90	9.50
c	0.40	0.60			

