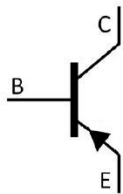


/ Descriptions

/ Features

/ Applications

/ Equivalent Circuit



/ Pinning

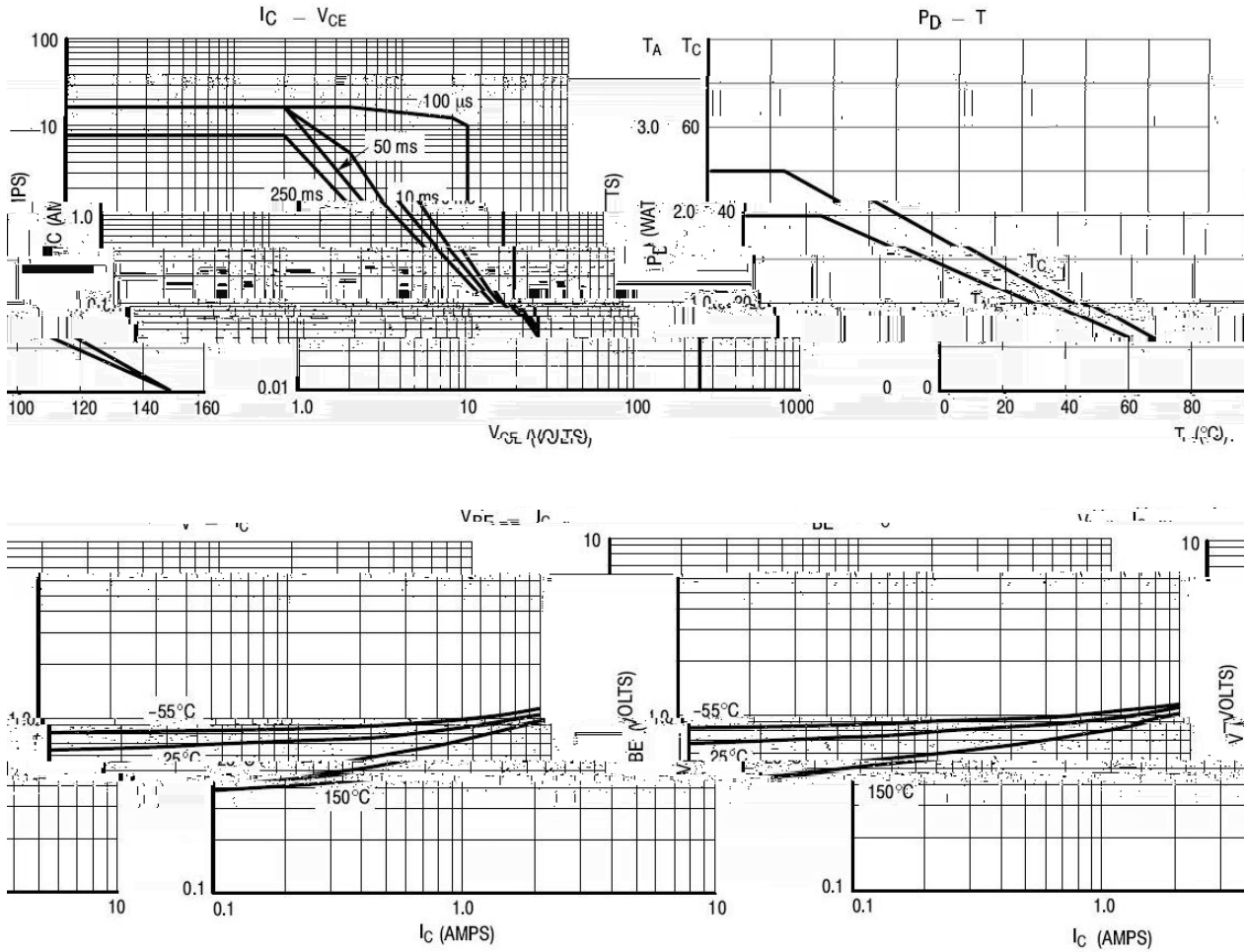


/  $h_{FE}$  Classifications & Marking

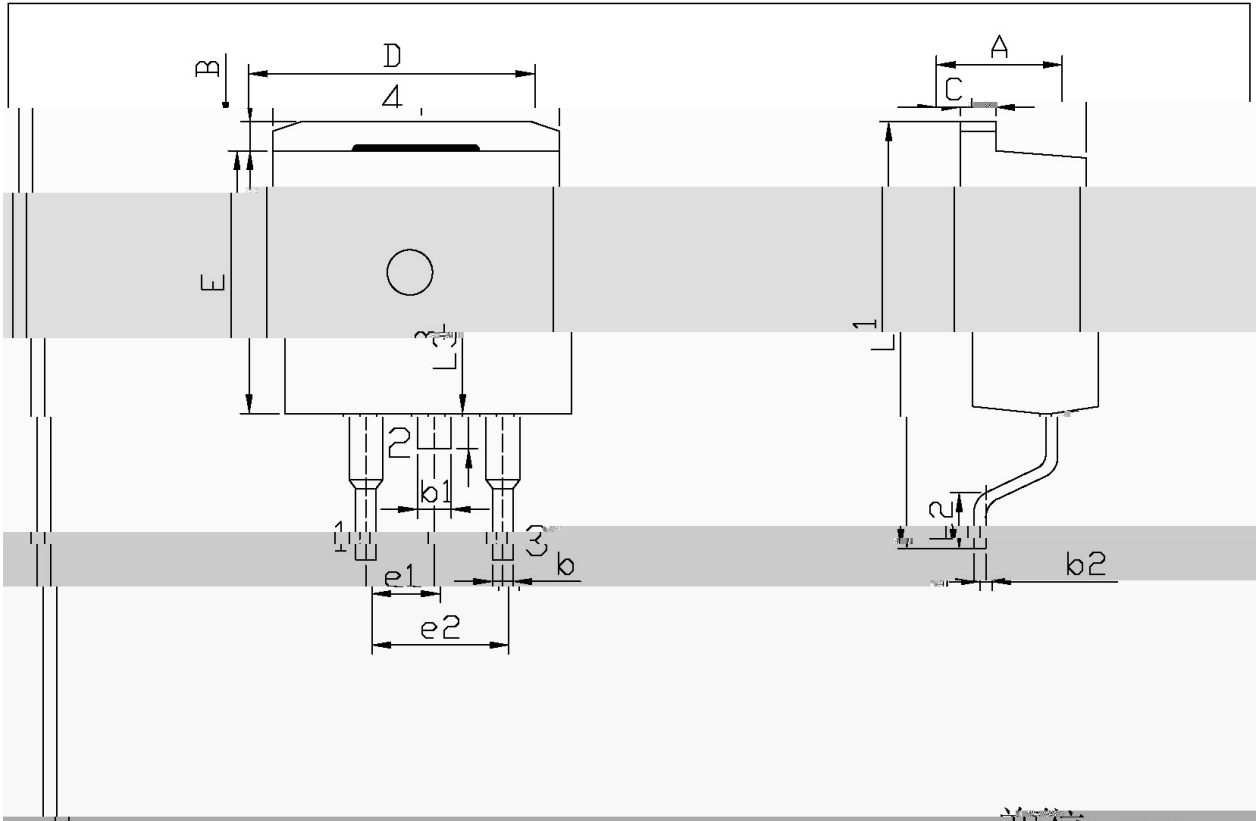
		°C	
			°C
		~	°C
			°C
			°C

						μ
						μ

/ Electrical Characteristic Curve



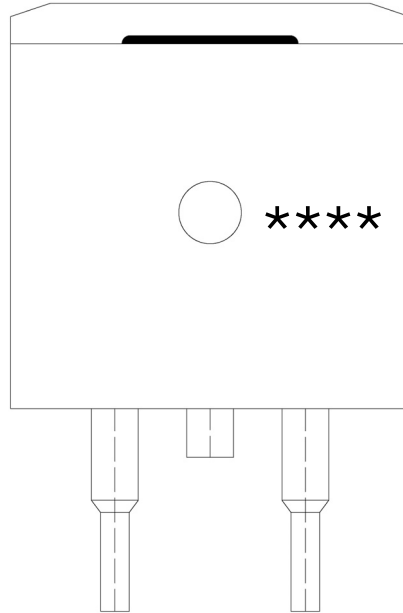
/ Package Dimensions



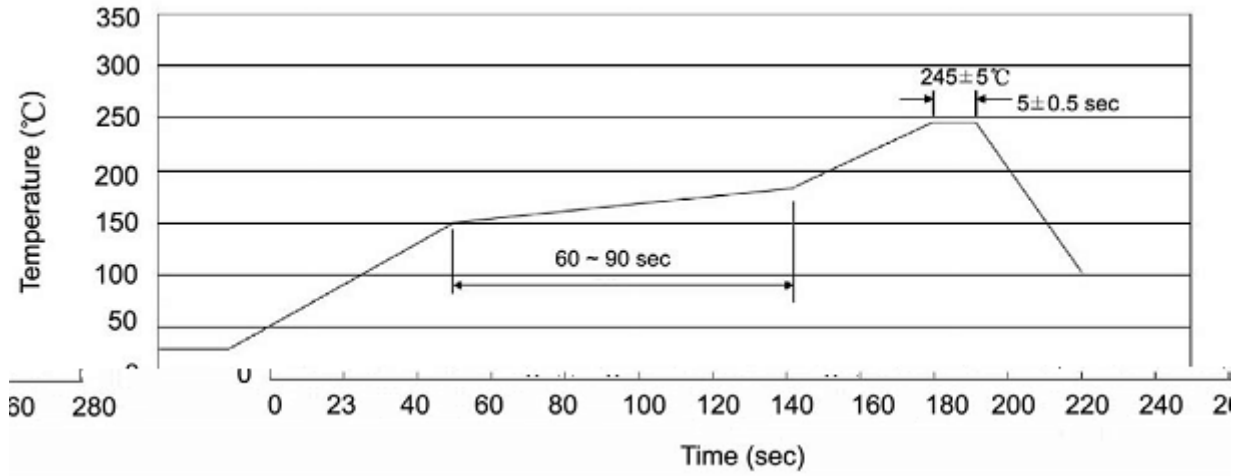
单位: mm

Symbol	Dimensions In Millimeters		Symbol	Dimensions In Millimeter	
	Min	Max		Min	Max
A	4.30	4.70	E	9.00	9.40
B	1.00	1.40	A1	1.00	1.40
C	1.00	1.40	A2	1.00	1.40
D	4.30	4.70	A3	1.00	1.40
E	9.00	9.40	b1	0.50	0.60
A1	1.00	1.40	b2	0.50	0.60
A2	1.00	1.40	e1	0.50	0.60
A3	1.00	1.40	e2	0.50	0.60
b1	0.50	0.60	1	0.10	0.15
b2	0.50	0.60			
e1	0.50	0.60			
e2	0.50	0.60			

/ Marking Instructions



( ) / Temperature Profile for IR Reflow Soldering(Pb-Free)



/ Resistance to Soldering Heat Test Conditions

°C

/ Packaging SPEC.

封装形式	包装数量					包装尺寸 :		
	Units/Reel 只/卷盘	Reels/Inner Box 卷盘/盒	Units/Inner Box 只/盒	Inner Boxes/Outer Box 盒/箱	Units/Outer Box 只/箱	Reel	Inner Box 盒	Outer Box 箱
TO-263	800	1	800	5	4,000	13" ×24	360×360×50	385×257×392

封装形式	包装数量					包装尺寸 :		
	Units/Tube 只/套管	Tubes/Inner Box 套管/盒	Units/Inner Box 只/盒	Inner Boxes/Outer Box 盒/箱	Units/Outer Box 只/箱	Tube 套管	Inner Box 盒	Outer Box 箱
TO-263	50	20	1,000	5	5,000	532×33×7.0	555×164×50	575×290×180

/ Notices