

Rev.F Mar.-2016

TO-126          NPN          Silicon NPN transistor in a TO-126 Plastic Package.

$V_{CE0}$   
High  $V_{CE0}$ , Large DC current, high  $f_T$ , low  $V_{CE(sat)}$ .

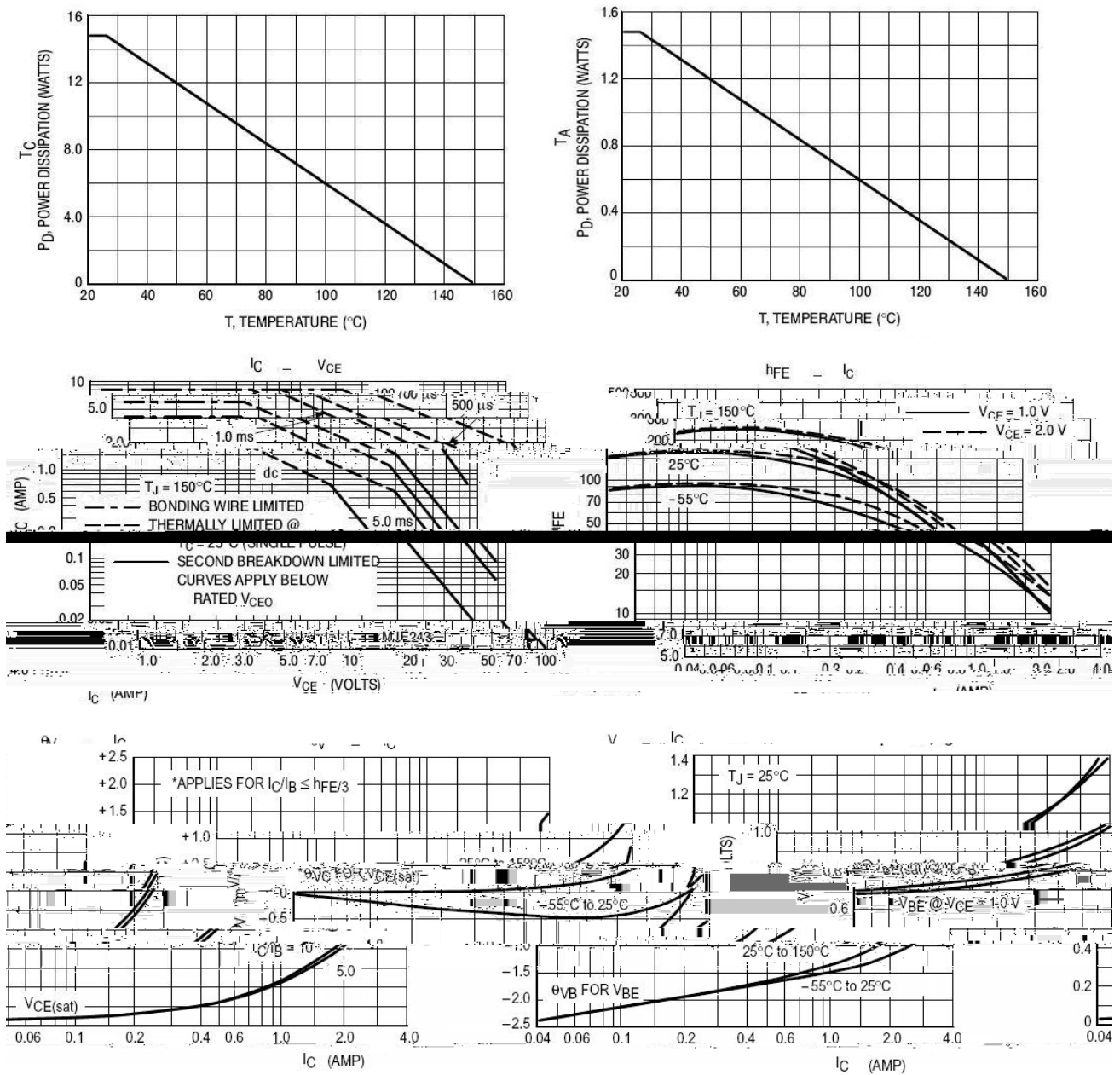
Low power audio amplifier, high speed switching applications.



PIN1 Emitter          PIN 2 Collector          PIN 3 Base

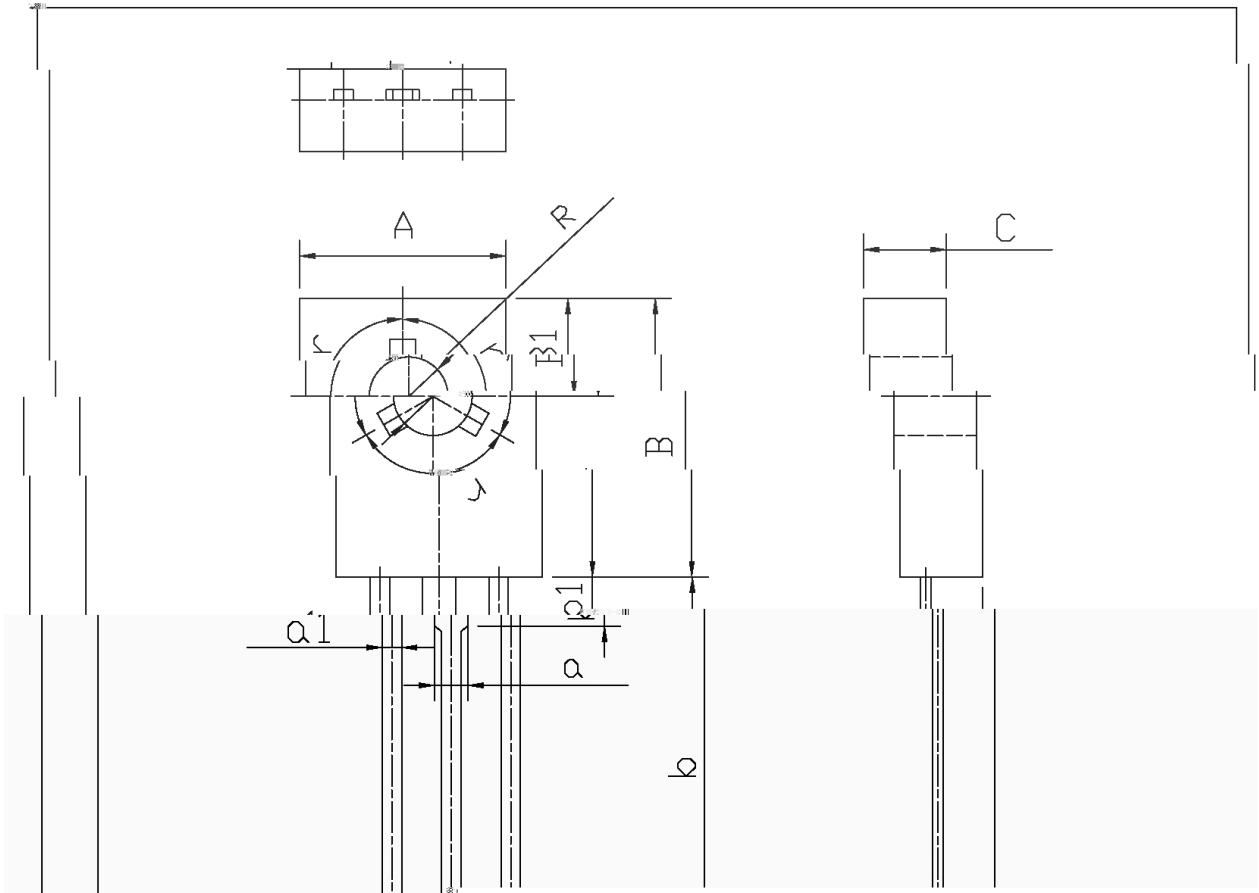
See Marking Instructions.

Parameter	Symbol	Rating	Unit
Collector to Base Voltage	$V_{CBO}$	100	V
Collector to Emitter Voltage	$V_{CEO}$	100	V
Emitter to Base Voltage	$V_{EBO}$	7.0	V
Collector Current - Continuous	$I_{C(1)}$	4.0	A
	$I_{C(2)}$	8.0	A
Peak Collector Current	$I_B$	10	A
Collector Power Dissipation	$P_D$	1.5	W
Collector Power Dissipation	$P_D(T_c=25^\circ C)$	15	W
Junction Temperature	$T_j$	150	
Storage Temperature Range	$T_{stg}$	-55~150	

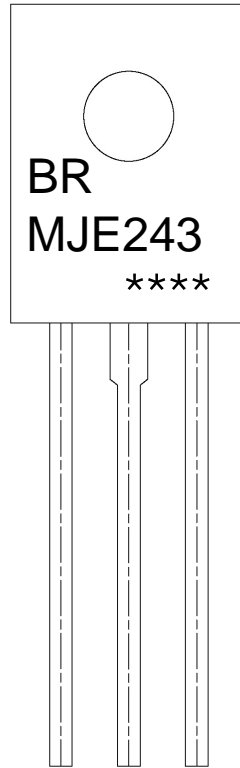


T0-126

单位: mm



Symbol	DIMENSIONS IN MILLIMETERS		Symbol	DIMENSIONS IN MILLIMETERS	
	Min	Max		Min	Max
A	7.8	8.2	a1	0.66	0.86
B	10.6	11.0	E	2.1	2.5
B1	3.6	4.0	C	2.7	2.9
R	2.9	3.3	C1	1.57	1.77
k	14	16	c	0.3	0.6
b1	1.9		a	1.37	
E1	2.1	2.5	r	120°	



BR

MJE243

\*\*\*\*

Note:

BR: Company Code

MJE243: Product Type.

\*\*\*\*: Lot No. Code, code change with Lot No.



- |  |   |
|--|---|
| 1            25 150            60 90sec;<br>2            255±5                    5±0.5sec;<br>3                            2 10 /sec. | <b>Note:</b><br>1.Preheating:25~150 , Time:60~90sec.<br>2.Peak Temp.:255±5 , Duration:5±0.5sec.<br>3. Cooling Speed: 2~10 /sec. |
|--|---|

270±5                      10±1 sec.                      Temp.:270±5                      Time:10±1 sec

/ BULK

Package Type	Units					Dimension (unit mm <sup>3</sup> )		
	Units/Tube /	Tubes/Inner Box /	Units/Inner Box /	Inner Boxes/Outer Box /	Units/Outer Box /	Tube	Inner Box	Outer Box