

Rev.E Sep.-2016

TO-3P

PNP

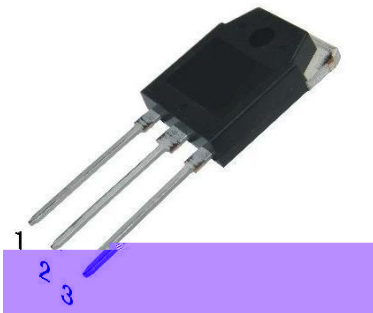
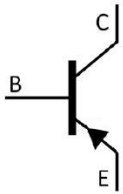
Silicon PNP transistor in a TO-3P Plastic Package.

200W

MJW21194

Recommend for 200W high fidelity audio frequency amplifier output stage, Complementary to MJW21194.

Power amplifier applications.

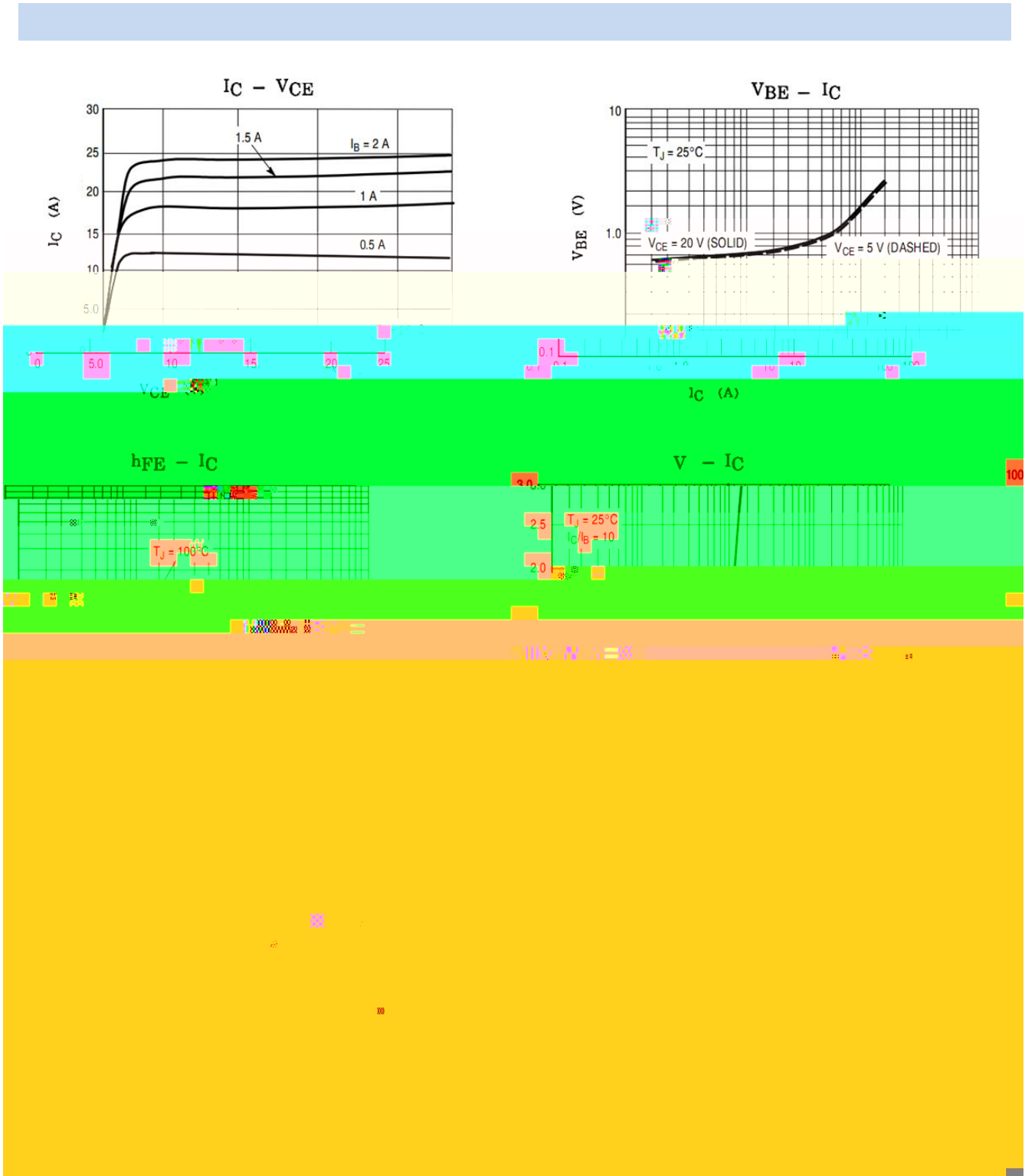


PIN1 Base PIN 2 Collector PIN 3 Emitter

See Marking Instructions.

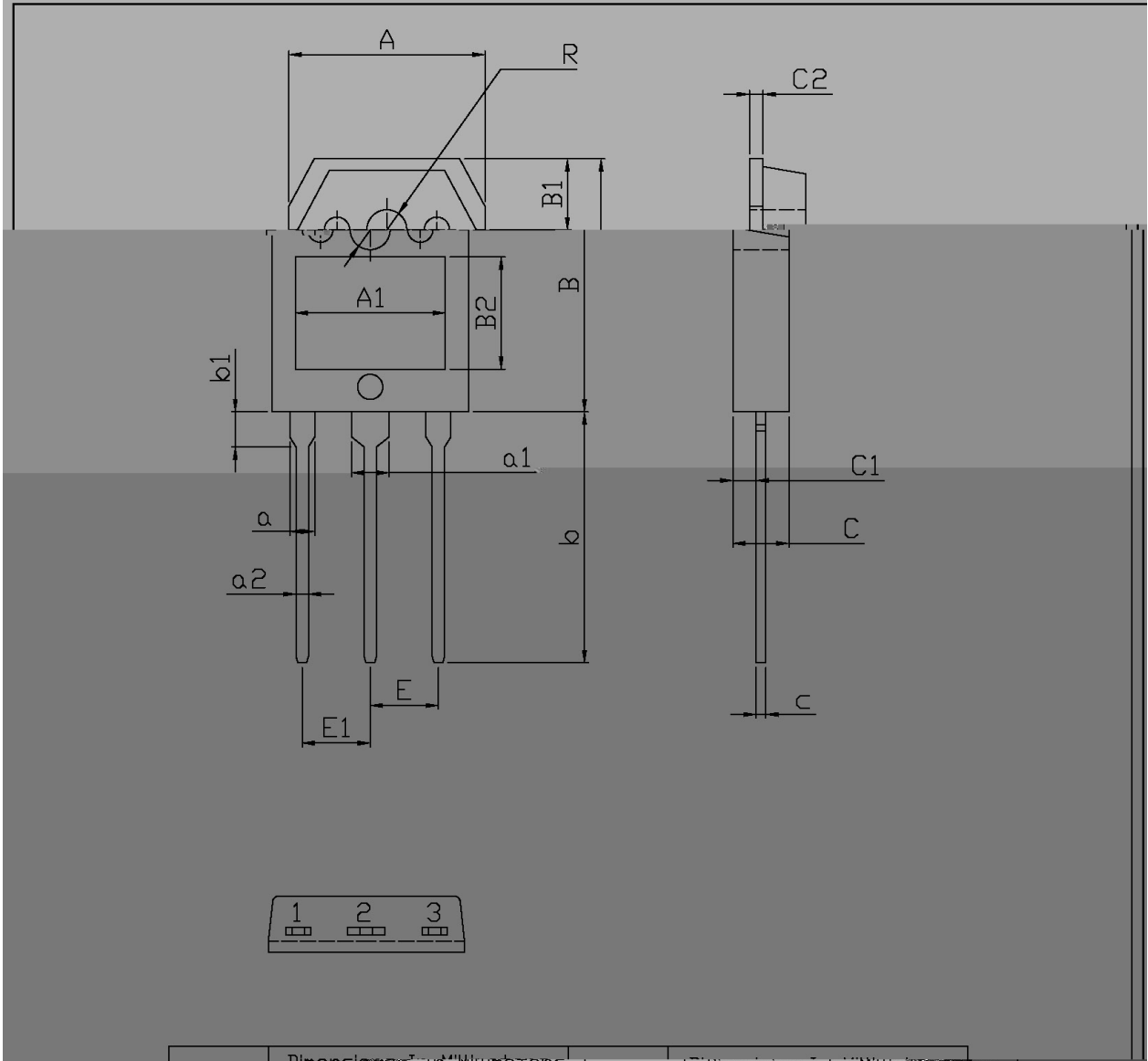
Parameter	Symbol	Rating	Unit
Collector to Base Voltage	V_{CBO}	-400	V
Collector to Emitter Voltage	V_{CEO}	-250	V
Emitter to Base Voltage	V_{EBO}	-5	V
Collector Current - Continuous	I_C	-16	A
Peak Collector Current	I_{CP}	-30	A
Base Current	I_B	-5.0	A
Collector Power Dissipation	$P_C(TC=25^{\circ}C)$	200	W
Junction Temperature	T_j	150	$^{\circ}C$
Storage Temperature Range	T_{stg}	-55 150	$^{\circ}C$

Parameter	Symbol	Test Conditions	Min	Typ	Max	Unit
Collector to Base Breakdown Voltage	V_{CBO}	$I_C=-100mA$ $I_B=0$	-250			V
Collector Cut-Off Current	I_{CEO}	$V_{CE}=-200V$ $I_E=0$			-100	μA
Collector Cut-Off Current	I_{CBO}	$V_{CB}=-250V$ $I_E=0$			-100	μA
Emitter Cut-Off Current	I_{EBO}	$V_{EB}=-5.0V$ $I_C=0$			-100	μA
DC Current Gain	$h_{FE(1)}$	$V_{CE}=-5.0V$ $I_C=-8.0A$	10		80	
	$h_{FE(2)}$	$V_{CE}=-5.0V$ $I_C=-16A$	8			
Collector to Emitter Saturation Voltage	$V_{CE(sat)(1)}$	$I_C=-8.0A$ $I_B=-0.8A$			-4	V
	$V_{CE(sat)(2)}$	$I_C=-16A$ $I_B=-3.2A$			-6	V
Base to Emitter Voltage	V_{BE}	$V_{CE}=-5.0V$ $I_C=-8.0A$			-2.2	V
Transition Frequency	f_T	$V_{CE}=-10V$ $f=1.0MHz$ $I_C=-1A$	4			MHz
Collector output capacitance	C_{ob}	$V_{CB}=-10V$ $f=1.0MHz$ $I_E=0$			500	pF

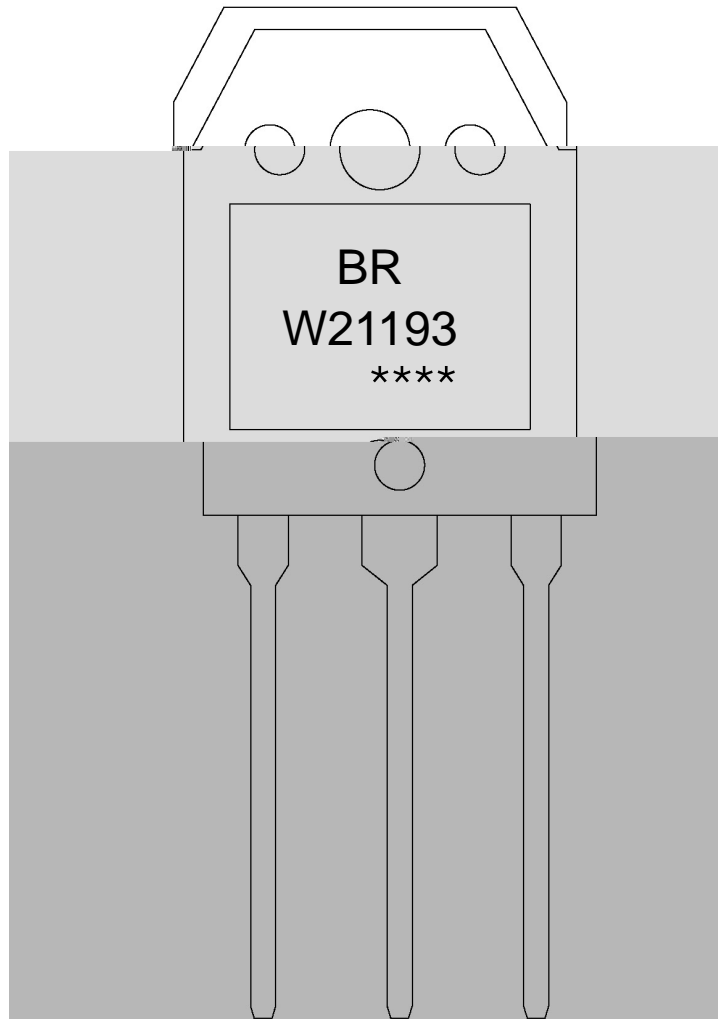


T□-3P

单位: mm



Dimensions in Millimeters			Dimensions in Millimeters		
Symbol	Min	Max	Symbol	Min	Max



BR:

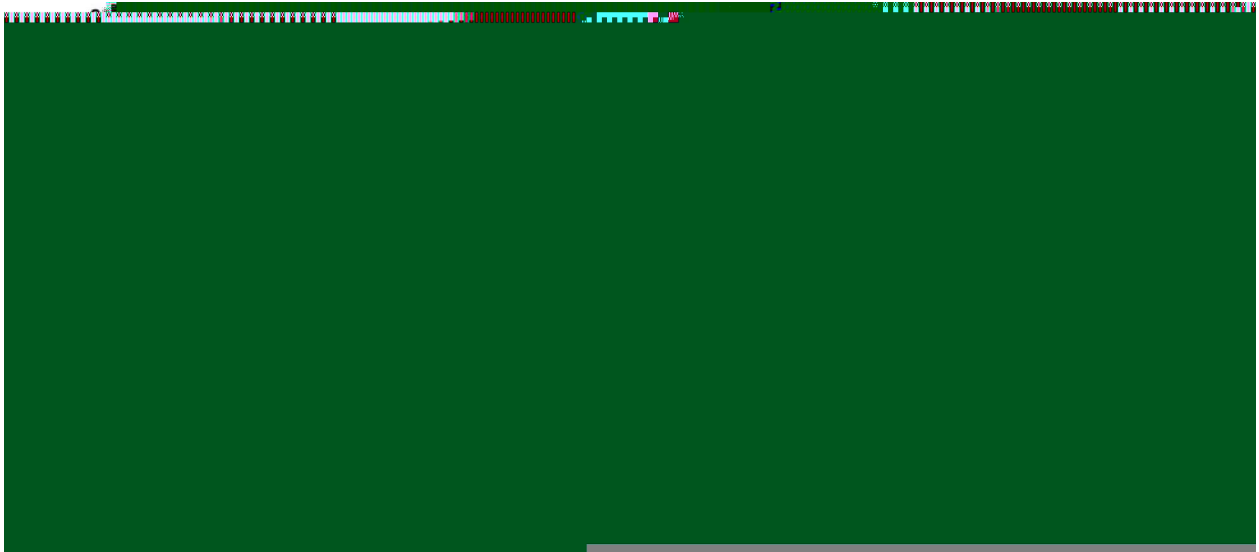
W21193

Note:

BR: Company Code.

W21193: Product Type.

****: Lot No. Code, code change with Lot No.



Note:

- | | | | | | |
|---|-------|-----|-----------|--------|---|
| 1 | 25 | 150 | 60 | 90sec; | 1.Preheating:25~150 , Time:60~90sec. |
| 2 | 255±5 | | 5±0.5sec; | | 2.Peak Temp.:255±5 , Duration:5±0.5sec. |
| 3 | | 2 | 10 | /sec. | 3. Cooling Speed: 2~10 /sec. |

270±5

10±1 sec.

Temp.:270±5℃

Time:10±1 sec

/ TUBE

Package Type 封装形式	Units 包装数量					Dimension 包装尺寸 (unit: mm ³)		
	Units/Tube 只/套管	Tubes/Inner Box 套管/盒	Units/Inner Box 只/盒	Inner Boxes/Outer Box 盒/箱	Units/Outer Box 只/箱	Tube 套管	Inner Box 盒	Outer Box 箱
TO-3P	30	15	450	5	2250	497.5×46×8	555×164×50	575×290×180