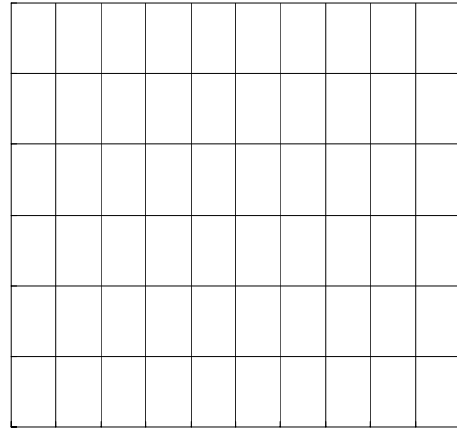
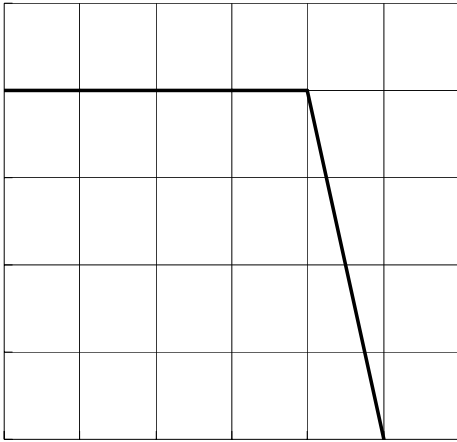


Parameter	Symbol	Rating	Unit
Peak Repetitive Reverse Voltage	V_{RRM}	200	V
RMS Voltage	V_{RMS}	140	V
DC Blocking Voltage	V_{DC}	200	V
Average Rectified Forward Current	I_F	2x6	A
Non Repetitive Peak Surge Current	I_{FSM}	100	A
Thermal Resistance Junction to Case	R_{JC}	2.9	/W
Storage Temperature Range	T_j T_{stg}	-55 150	

Parameter	Symbol	Test Conditions	Min	Typ	Max	Unit
Forward Voltage	V_F	$I_F=2.0A(T_C=25^\circ C)$		0.82		V
		$I_F=2.0A(T_C=125^\circ C)$		0.68		V
		$I_F=6.0A(T_C=25^\circ C)$		0.92	1.0	V
		$I_F=6.0A(T_C=125^\circ C)$		0.82	0.9	V
Instantaneous Reverse Current	I_R	$V_R=200V(T_a=25^\circ C)$			10	μA
		$V_R=200V(T_a=125^\circ C)$			150	μA
Reverse Recovery Time	t_{rr}	$I_F=0.5A$ $I_R=1.0A$ $I_{RR}=0.25A$			35	ns

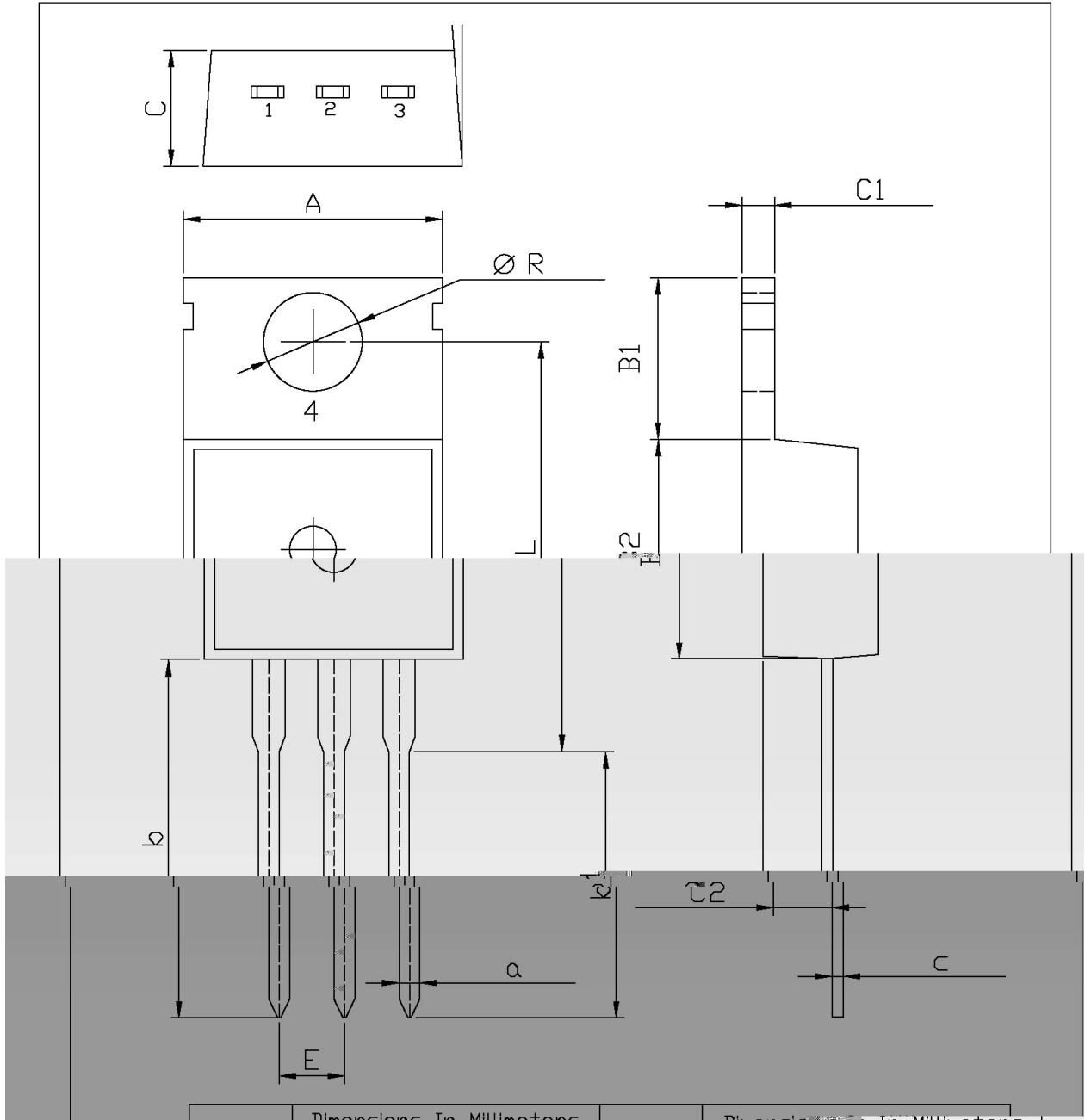
Notes

1. /Short duration pulse test used to minimize self-heating effect.
2. / Unless otherwise noted, values for the parameters of a single chip

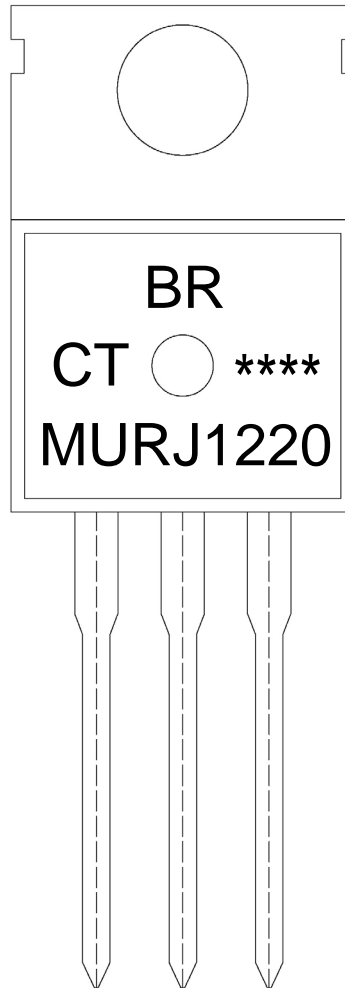


TO-220S

Unit: mm



Dimensions in Millimeters			Dimensions in Millimeters		
Symbol	Min.	Max.	Symbol	Min.	Max.
A	9.95	10.35	E	2.34	2.74
R	3.10	3.50	C	4.30	4.70
L	15.7	16.3	C1	1.17	1.37
b	12.9	13.9	C2	2.37	2.77
b1	9.68	10.88	B1	6.03	6.43
a	0.70	0.90	B2	8.90	9.30
c	0.40	0.60			



BR

MURJ1220

CT:

Note:

BR:

Company Code

MURJ1220

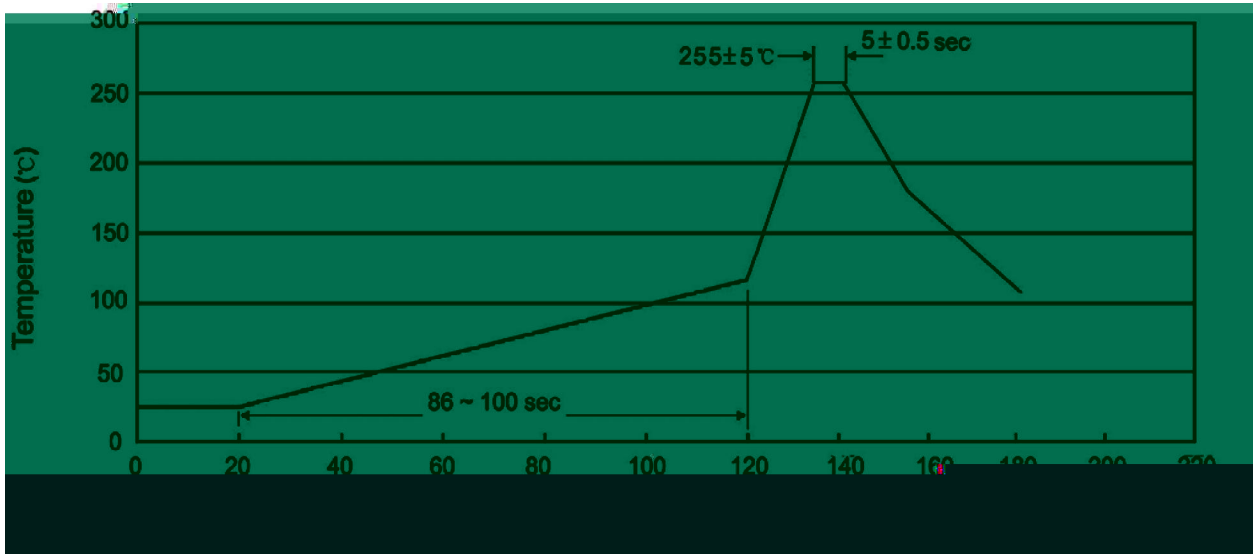
Product Type.

CT:

Internal Structure

****:

Lot No. Code, code change with Lot No.



Note:

- | | | | |
|---|--------|-----------|---|
| 1 | 25 150 | 60 90sec; | 1.Preheating:25~150 , Time:60~90sec. |
| 2 | 255±5 | 5±0.5sec; | 2.Peak Temp.:255±5 , Duration:5±0.5sec. |
| 3 | 2 10 | /sec. | 3. Cooling Speed: 2~10 /sec. |

270±5

10±1 sec.

Temp.:270±5

Time:10±1 sec

/ TUBE

Package Type 封装形式	Units 包装数量					Dimension 包装尺寸 (unit: mm ³)		
	Units/Tube 只/套管	Tubes/Inner Box 套管/盒	Units/Inner Box 只/盒	Inner Boxes/Outer Box 盒/箱	Units/Outer Box 只/箱	Tube 套管	Inner Box 盒	Outer Box 箱
TO-220S	50	20	1000	5	5000	532×31.4×5.5	555×164×50	575×290×180