

Rev.D May.-2017

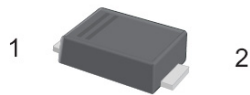
50V ~ 1000V 2.0A SOD-123FL

Surface Mount General Purpose Silicon Rectifiers, Reverse Voltage: 50 to 1000V, Forward Current: 2.0A, SOD-123FL thin package.

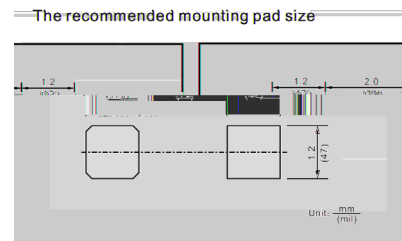
RoHS 2011/65/EU

Glass Passivated Chip Junction, Lead free in comply with EU RoHS 2011/65/EU directives, For surface mounted applications. Halogen free product.

General purpose.



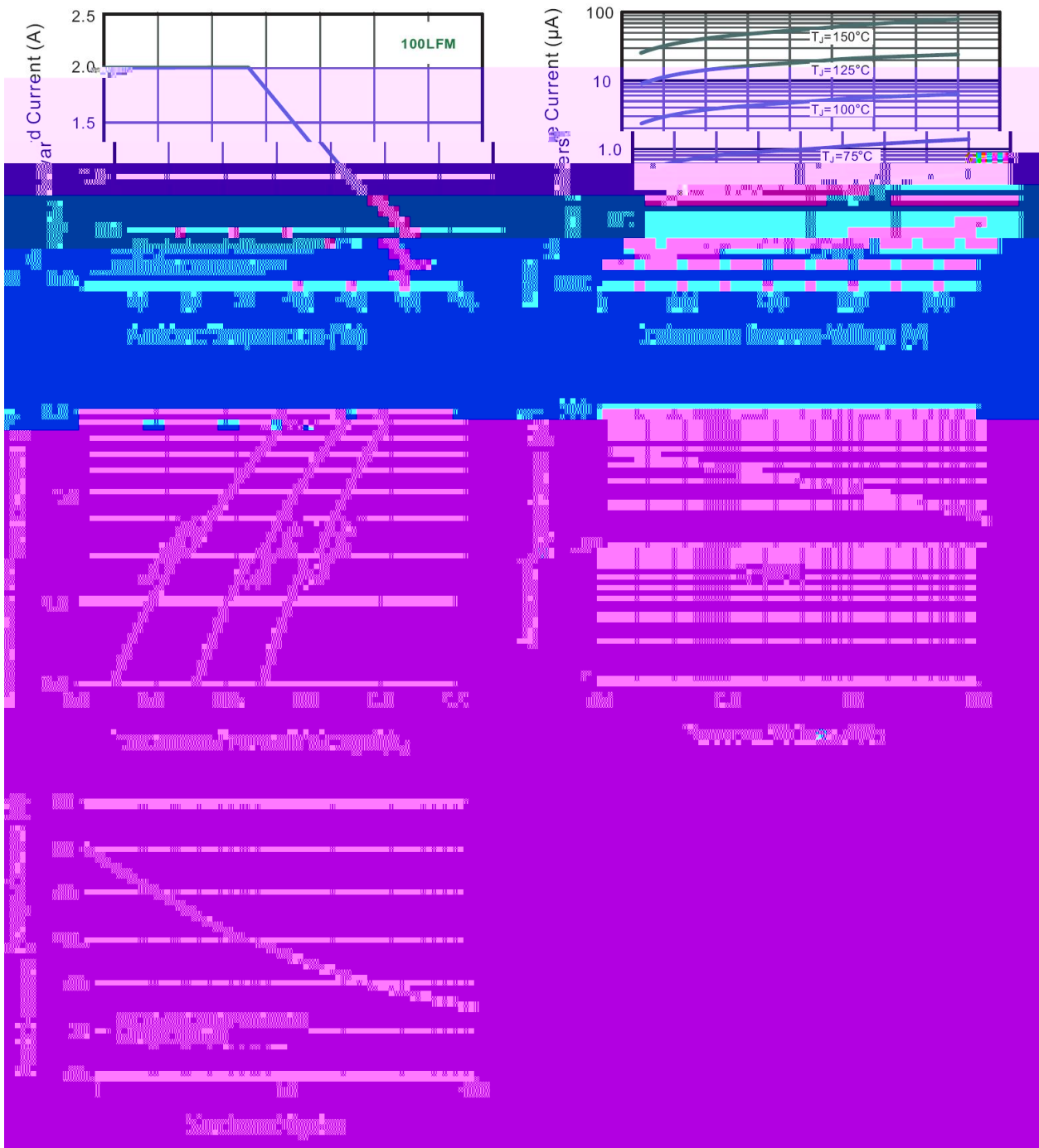
PIN	DESCRIPTION
1	Cathode
2	Anode

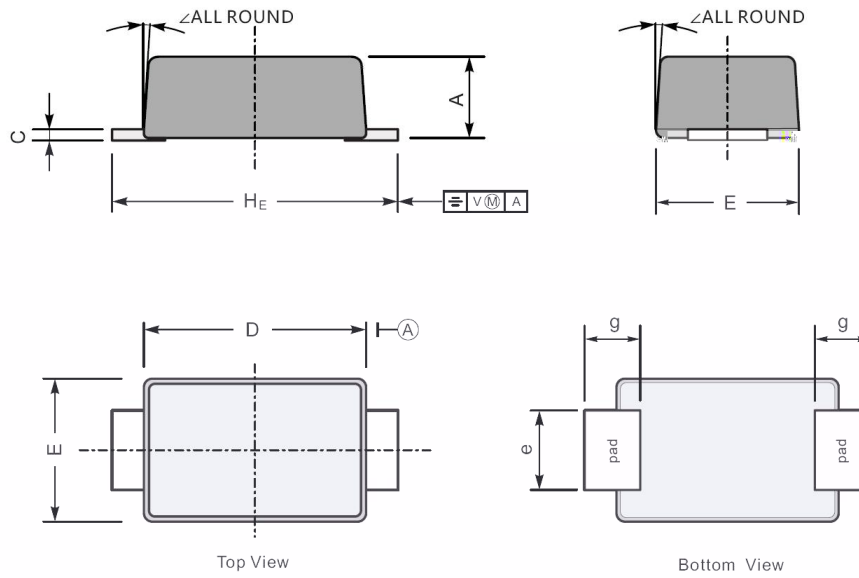


See Marking Instructions.

Rev.D May.-2017

Parameter	Symbol	Rating							Unit
		S2AW	S2BW	S2DW	S2GW	S2JW	S2KW	S2MW	
Maximum Repetitive Peak Reverse Voltage	V_{RRM}	50	100	200	400	600	800	1000	V
Maximum RMS voltage	V_{RMS}	35	70	140	280	420	560	700	V

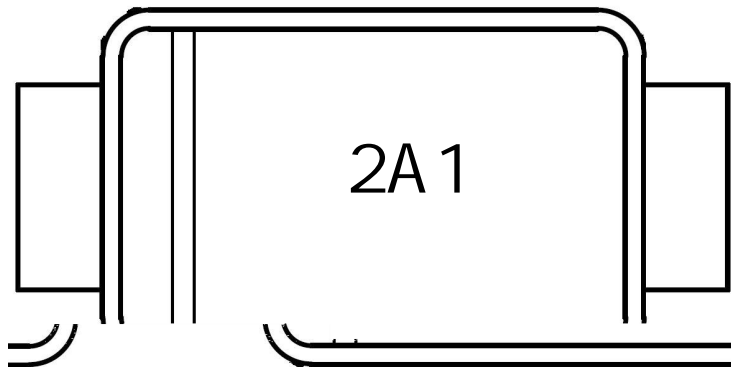


SOD-123FL


UNIT		A	C	D	E	e	g	H_E	\angle
mm	max	1.1	0.20	2.9	1.9	1.1	0.9	3.8	7°
	min	0.9	0.12	2.6	1.7	0.8	0.7	3.5	
..	max	43	7.9	114	75	43	35	150	

Marking

Type number	Marking code
S2BW	2A2
S2DW	2A3
S2GW	2A4
S2JW	2A5
MW	2A7



2A1

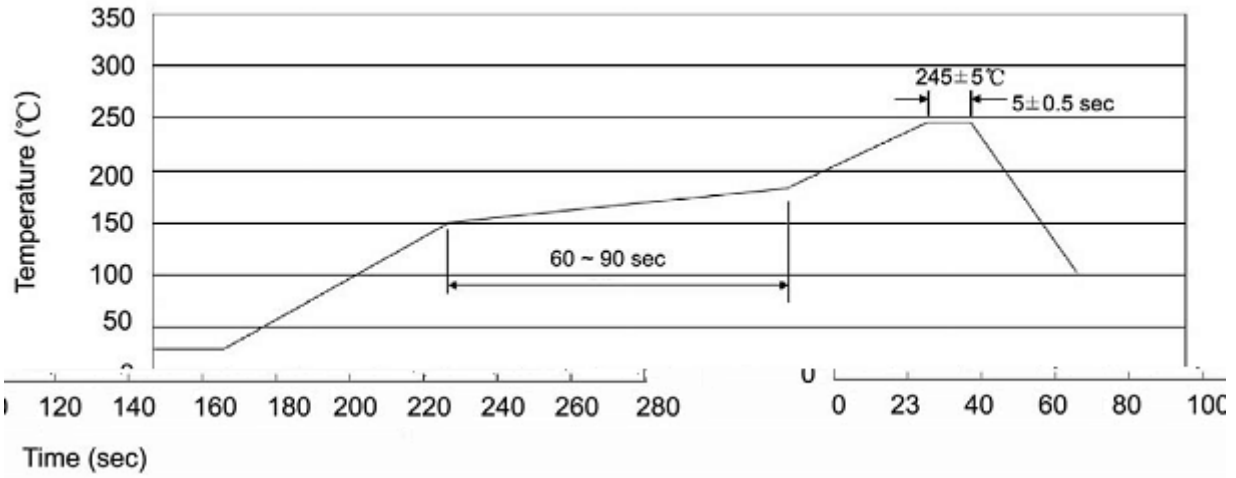
1

3

Note:

2A1 Product Type Code

Lot No. Code The 1st means:YM Code The last 3 means:little Lot No Code


Note:

- | | | | | | |
|---|-------|-----|-------|------------|--|
| 1 | 25 | 150 | 60 | 90sec; | 1. Preheating: 25~150 °C, Time: 60~90sec. |
| 2 | 245±5 | | 5±0.5 | sec; | 2. Peak Temp.: 245±5 °C, Duration: 5±0.5sec. |
| 3 | | | 2 | 10 °C/sec. | 3. Cooling Speed: 2~10 °C/sec. |

260±5

10±1 sec.

Temp.: 260±5

Time: 10±1 sec

/ REEL

Package Type 封装形式	Units 包装数量					Dimension 包装尺寸 (unit: mm ³)		
	只卷盘	卷盘盒	只盒	盒箱	只箱	盒	箱	
SOD-123FL	3000	8	24000	5	120000	7" x11	185X180X105	390X385X205