

/ Descriptions

R-6

/ Features

MOS 200
ESD $\pm 30KV$
 \leq

/ Applications

DC-DC OR-ing

/ Equivalent Circuit



/ Pinning



/ h_{FE} Classifications & Marking

/ Absolute Maximum Ratings(Ta=25)

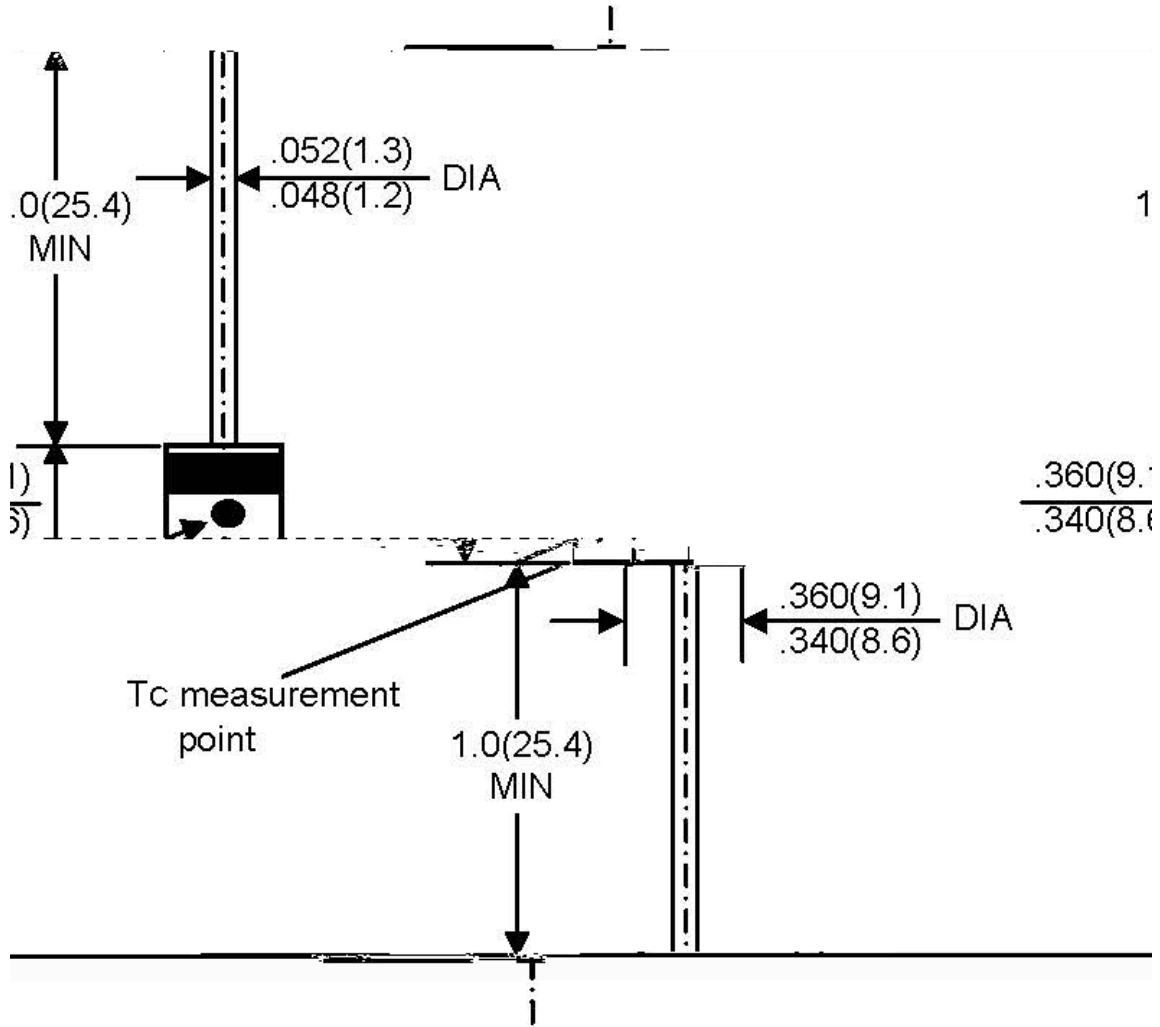
	θ		
V		V	

/ Electrical Characteristics(Ta=25)

		$^{\circ}C$				

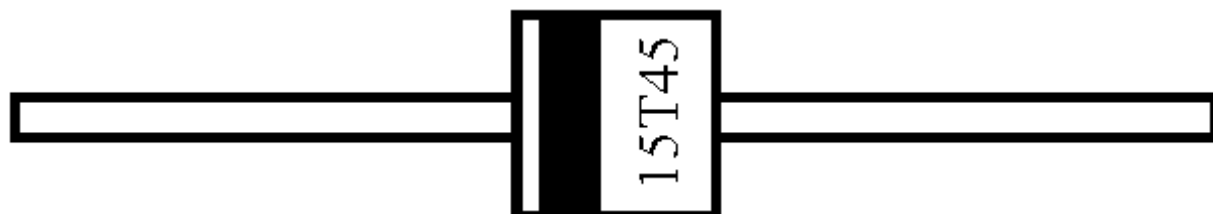
μ
 V

/ Package Dimensions



Dimensions in inches and (millimeters)

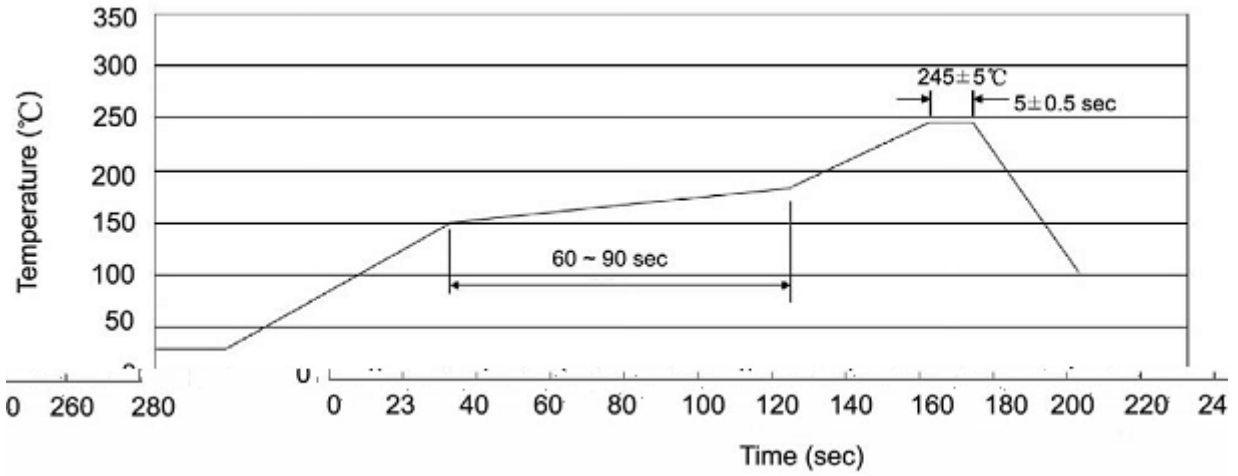
/ Marking Instructions



15T45

15T45

() /



± ± ± ±

/ Resistance to Soldering Heat Test Conditions

± ± °C

/ Packaging SPEC.

封装形式	包装数量			包装尺寸 :	
	Units/Bag 只/袋	Units/Outer Box 只/箱	总重 千克	Inner Box 盒	Outer Box 箱
	250	6,000	14	293×73×40	330×330×270

封装形式	包装数量			包装尺寸 :			
	Units/Tape 只/纸带	Units/Outer Box 只/箱	总重 千克	Component Space 带宽	Tape Space 编带长	Inner Box 盒	Outer Box 箱
R-6	500	5,000	12	9.5	52	360×360×50	385×257×392

/ Notices