

/ Revised record

A	2019-7-23	all	SMA-S-SS52_SS520-5A 200V		
B	2021-3-16	2 4 7	V _F SS58 0.7 V _F SS58 0.85 5 50000 7 70000 340X340X40、 350X350X230 336X336X40、 380X335X366		

/ Descriptions

20V ~ 200V 5.0A SMA

Surface Mount Schottky Barrier Rectifiers, Reverse Voltage 20 to 200V, Forward Current: 5.0A ,SMA package.

/ Features

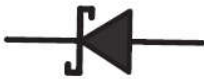
RoHS 2011/65/EU

Low power loss, high efficiency High forward surge current capability Lead free in comply with EU RoHS 2011/65/EU directives, For surface mounted applications. HF product.

/ Applications

General purpose.

/ Equivalent Circuit

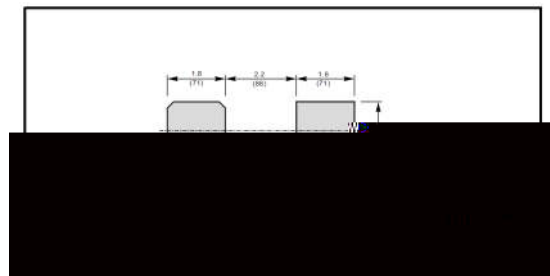


/ Pinning



PIN	DESCRIPTION
1	Cathode
2	Anode

The recommended mounting pad size



/ Marking

See Marking Instructions.

Peak Forward Current		5.0		
Peak Forward Surge Current 8.3 ms Single Half Sine Wave Superimposed on Rated Load (JEDEC Method)	I_{FSM}			A
Typical Junction Capacitance ¹⁾	C_j			

/ Electrical Characteristic Curve

Fig.1 Forward Current Derating Curve

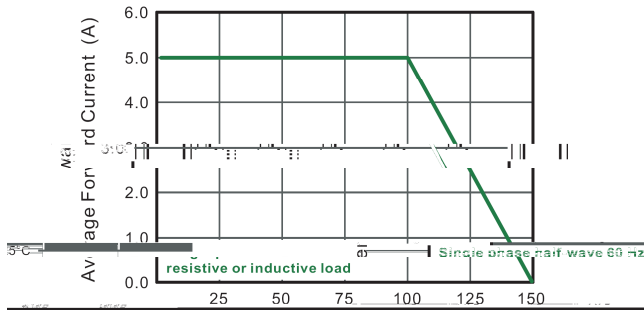


Fig.2 Typical Reverse Characteristics

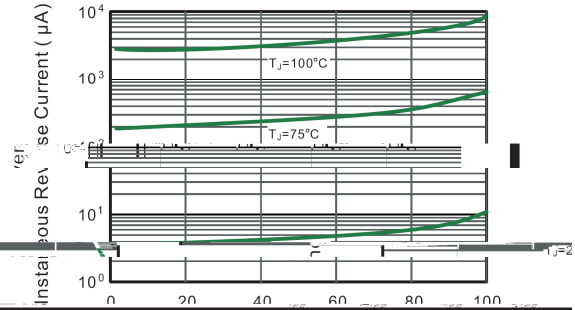


Fig.3 Typical Forward Characteristic

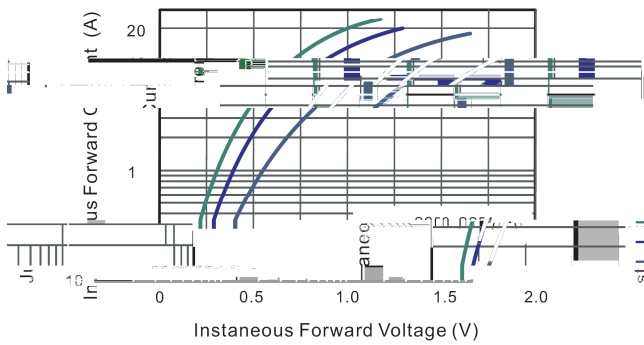


Fig.4 Typical Junction Capacitance

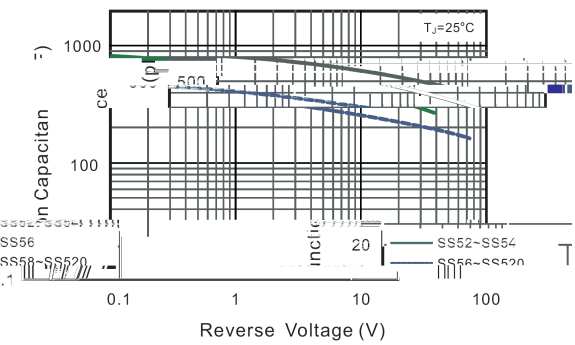


Fig.5 Maximum Non-Repetitive Peak Forward Surge Current

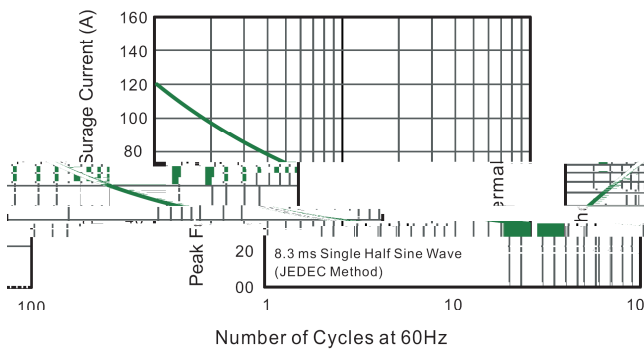
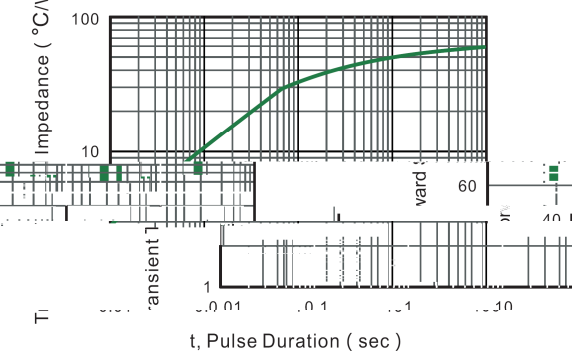
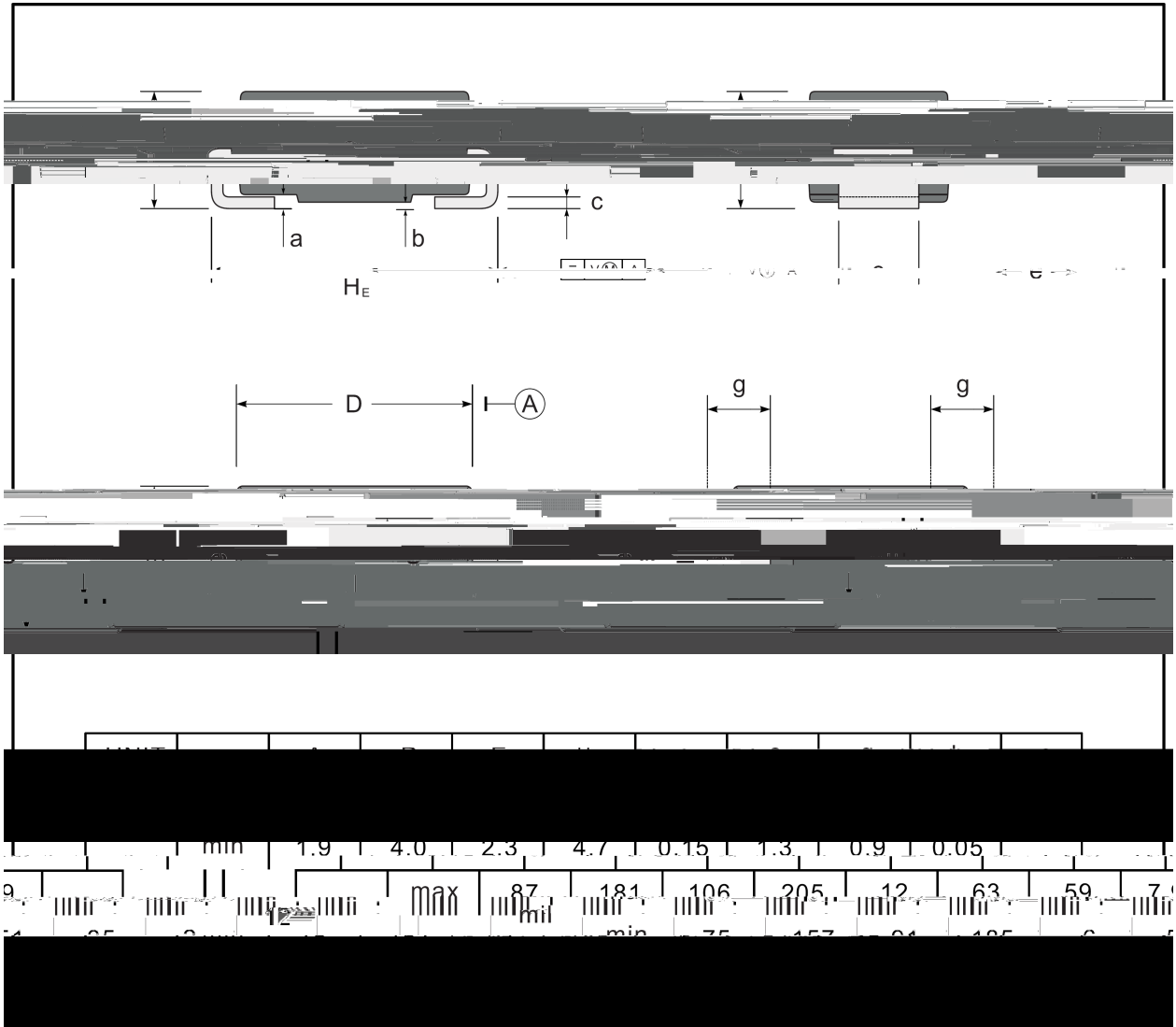


Fig.6- Typical Transient Thermal Impedance



/ Package Dimensions

SMA



Marking

Type number	Marking code
SS52	SS52
SS54	SS54
SS56	SS56
SS58	SS58
SS510	SS510
SS512	SS512
SS515	SS515
SS520	SS520

/ Marking Instructions



SS52

1 *

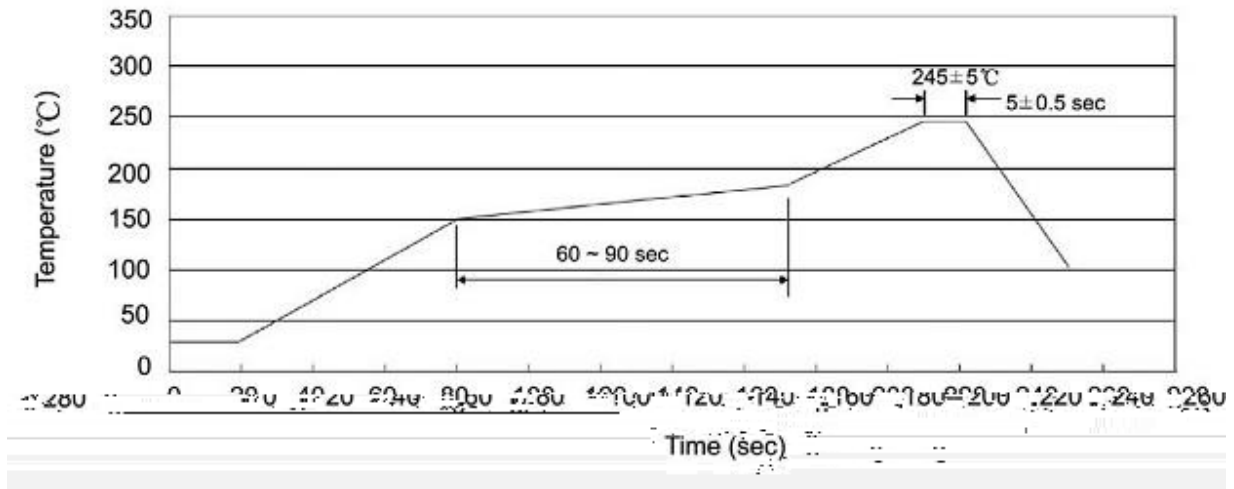
3 *

Note:

SS52 Product Type Code

**** Lot No. Code The 1st * means:YM Code The last 3 * means:little Lot No Code

() / Temperature Profile for IR Reflow Soldering(Pb-Free)



Note:

- | | | | |
|---|---------|-----------|---|
| 1 | 150 180 | 60 90sec; | 1.Preheating:150~180 , Time:60~90sec. |
| 2 | 245±5 | 5±0.5sec; | 2.Peak Temp.:245±5 , Duration:5±0.5sec. |
| 3 | 2 10 | /sec. | 3. Cooling Speed: 2~10 /sec. |

/ Resistance to Soldering Heat Test Conditions

260±5 10±1 sec. Temp.:260±5 Time:10±1 sec

/ Packaging SPEC.

/ REEL

Package Type 封装形式	Units 包装数量					Dimension 包装尺寸 (unit: mm ³)		
	Units/Reel 只/卷盘	Reels/Inner Box 卷盘/盒	Units/Inner Box 只/盒	Inner Boxes/Outer Box 盒/箱	Units/Outer Box 只/箱	Reel	Inner Box 盒	Outer Box 箱