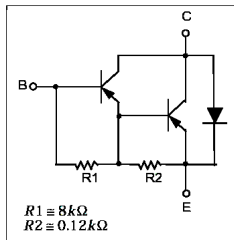


Rev.F Mar.-2016

TO-126          PNP          Silicon PNP transistor in a TO-126 Plastic Package.

TIP122L  
Complement to TIP122L.

Medium power linear switching applications.



PIN 1   Emitter          PIN 2   Collector          PIN 3   Base

See Marking Instructions.

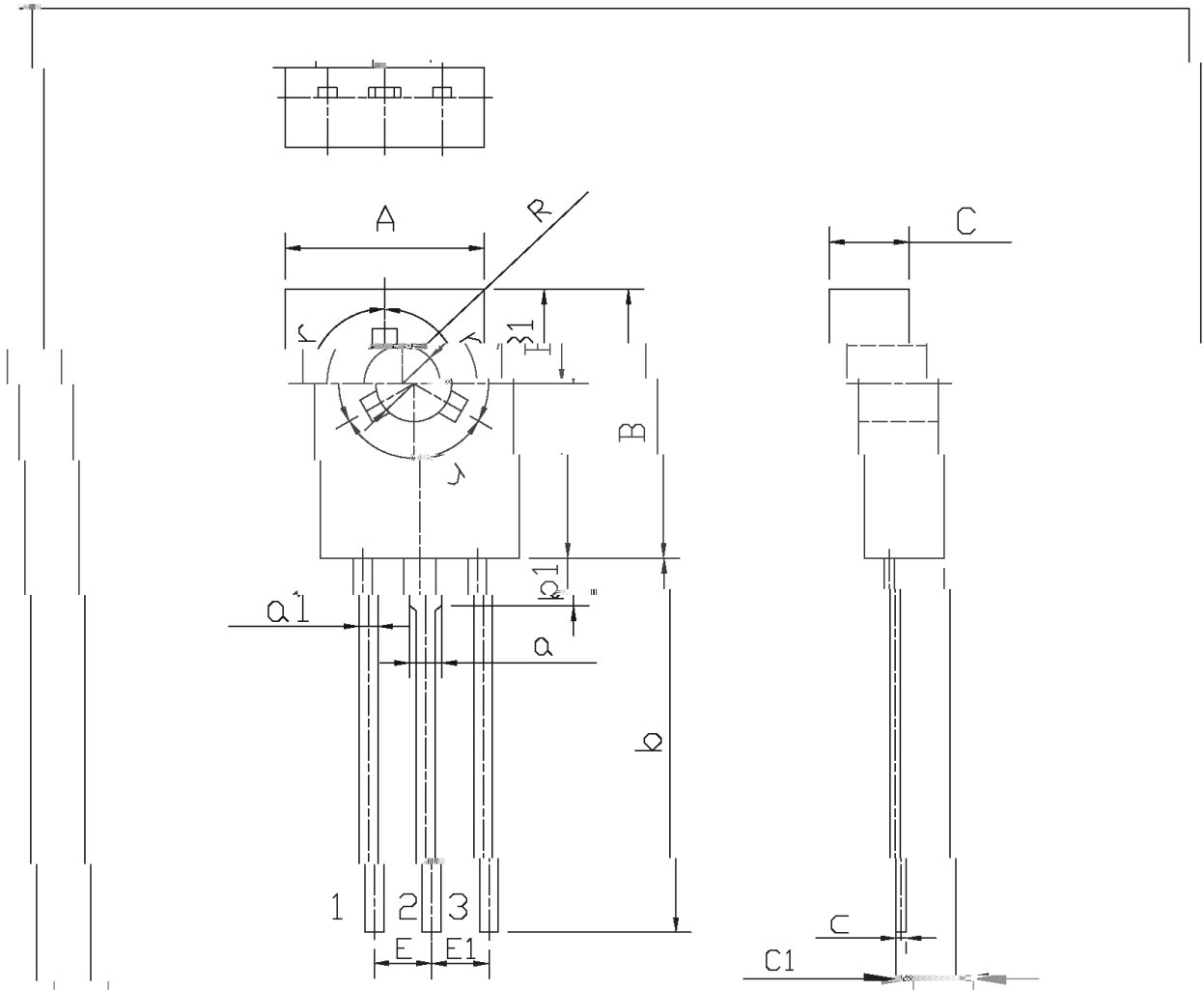
Parameter	Symbol	Rating	Unit
Collector to Base Voltage	$V_{CBO}$	-100	V
Collector to Emitter Voltage	$V_{CEO}$	-100	V
Emitter to Base Voltage	$V_{EBO}$	-5.0	V
Collector Current - Continuous	$I_C$	-5.0	A
Collector Power Dissipation	$P_C(T_C=25^\circ\text{C})$	40	W
Junction Temperature	$T_j$	150	$^\circ\text{C}$
Storage Temperature Range	$T_{stg}$	-55 150	$^\circ\text{C}$

Parameter	Symbol	Test Conditions	Min	Typ	Max	Unit
Collector to Emitter Breakdown Voltage	$V_{CEO}$	$I_C=-100\text{mA}$ $I_B=0$	-100			V
Collector Cut-Off Current	$I_{CEO}$	$V_{CE}=-50\text{V}$ $I_B=0$			-2.0	mA
Collector Cut-Off Current	$I_{CBO}$	$V_{CB}=-100\text{V}$ $I_E=0$			-1.0	mA
Emitter Cut-Off Current	$I_{EBO}$	$V_{EB}=-5.0\text{V}$ $I_C=0$			-2.0	mA
DC Current Gain	$h_{FE(1)}$	$V_{CE}=-3.0\text{V}$ $I_C=-0.5\text{A}$	1000			
	$h_{FE(2)}$	$V_{CE}=-3.0\text{V}$ $I_C=-3.0\text{A}$	1000			
Collector to Emitter Saturation Voltage	$V_{CE(sat)(1)}$	$I_C=-3.0\text{A}$ $I_B=-12\text{mA}$			-2.0	V
	$V_{CE(sat)(2)}$	$I_C=-5.0\text{A}$ $I_B=-20\text{mA}$			-4.0	V
Base to Emitter Voltage	$V_{BE}$	$I_C=-3.0\text{A}$ $V_{CE}=-3.0\text{V}$			-2.5	V
Collector Output Capacitance	$C_{ob}$	$V_{CB}=-10\text{V}$ $I_E=0$ $f=0.1\text{MHz}$			300	pF

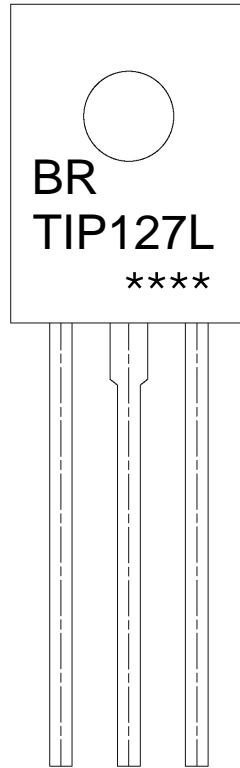


T0-126

单位: mm



Dimensions in Millimeters			Dimensions in Millimeters		
Symbol	Min	Max	Symbol	Min	Max
A	7.8	8.2	a1	0.66	0.86
B	10.6	11.0	E	2.1	2.5
B1	3.6	4.0	C	2.7	2.9
R	2.9	3.3	C1	1.57	1.77
k	14	16	c	0.3	0.6
b1	1.9		a	1.37	
E1	2.1	2.5	r	120°	



BR

TIP127L

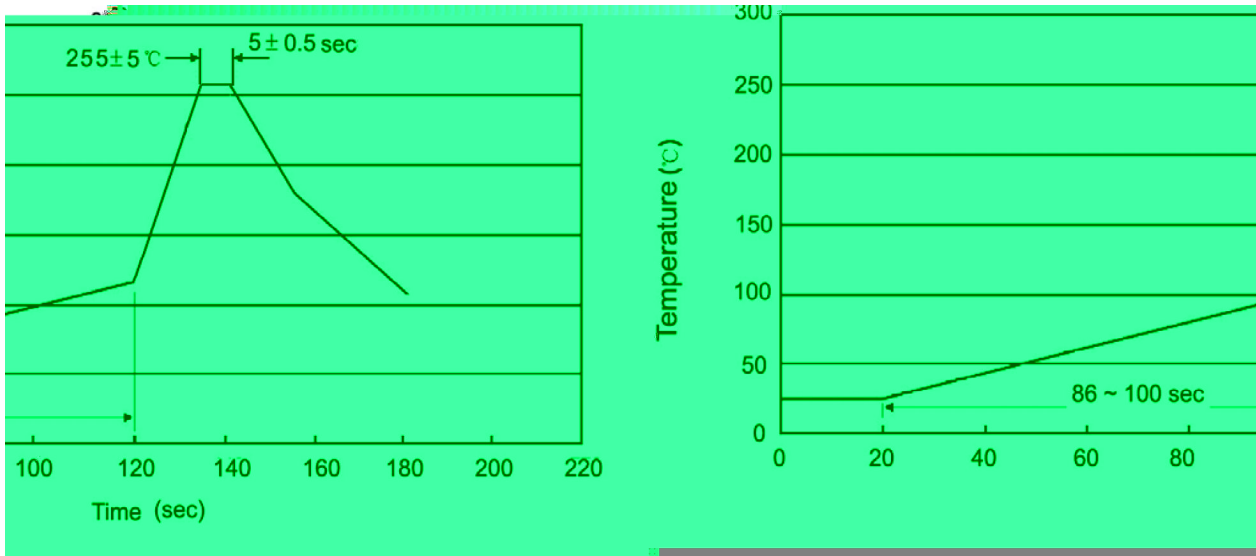
\*\*\*\*

Note:

BR: Company Code

TIP127L: Product Type.

\*\*\*\*: Lot No. Code, code change with Lot No.


**Note:**

- |   |       |     |           |        |   |
|---|-------|-----|-----------|--------|---|
| 1 | 25    | 150 | 60        | 90sec; | 1.Preheating:25~150 , Time:60~90sec.    |
| 2 | 255±5 |     | 5±0.5sec; |        | 2.Peak Temp.:255±5 , Duration:5±0.5sec. |
| 3 |       | 2   | 10        | /sec.  | 3. Cooling Speed: 2~10 /sec.            |

 $270 \pm 5$ 
 $10 \pm 1$  sec.

 Temp.: $270 \pm 5$ °C

 Time: $10 \pm 1$  sec

/ BULK

Package Type	Units					Dimension (unit mm <sup>3</sup> )		
	Units/Tube /	Tubes/Inner Box /	Units/Inner Box /	Inner Boxes/Outer Box /	Units/Outer Box /	Tube	Inner Box	Outer Box
TO-126/F	500	6	3,000	5	15,000	135×190	237×172×102	560×245×195

/ TUBE

Package Type	Units					Dimension (unit mm <sup>3</sup> )		
	Units/Tube /	Tubes/Inner Box /	Units/Inner Box /	Inner Boxes/Outer Box /	Units/Outer Box /	Tube	Inner Box	Outer Box
TO-126/F	65	26	1,690	5	8,450	532×31×5.6	555×164×50	575×290×180